

RF 235

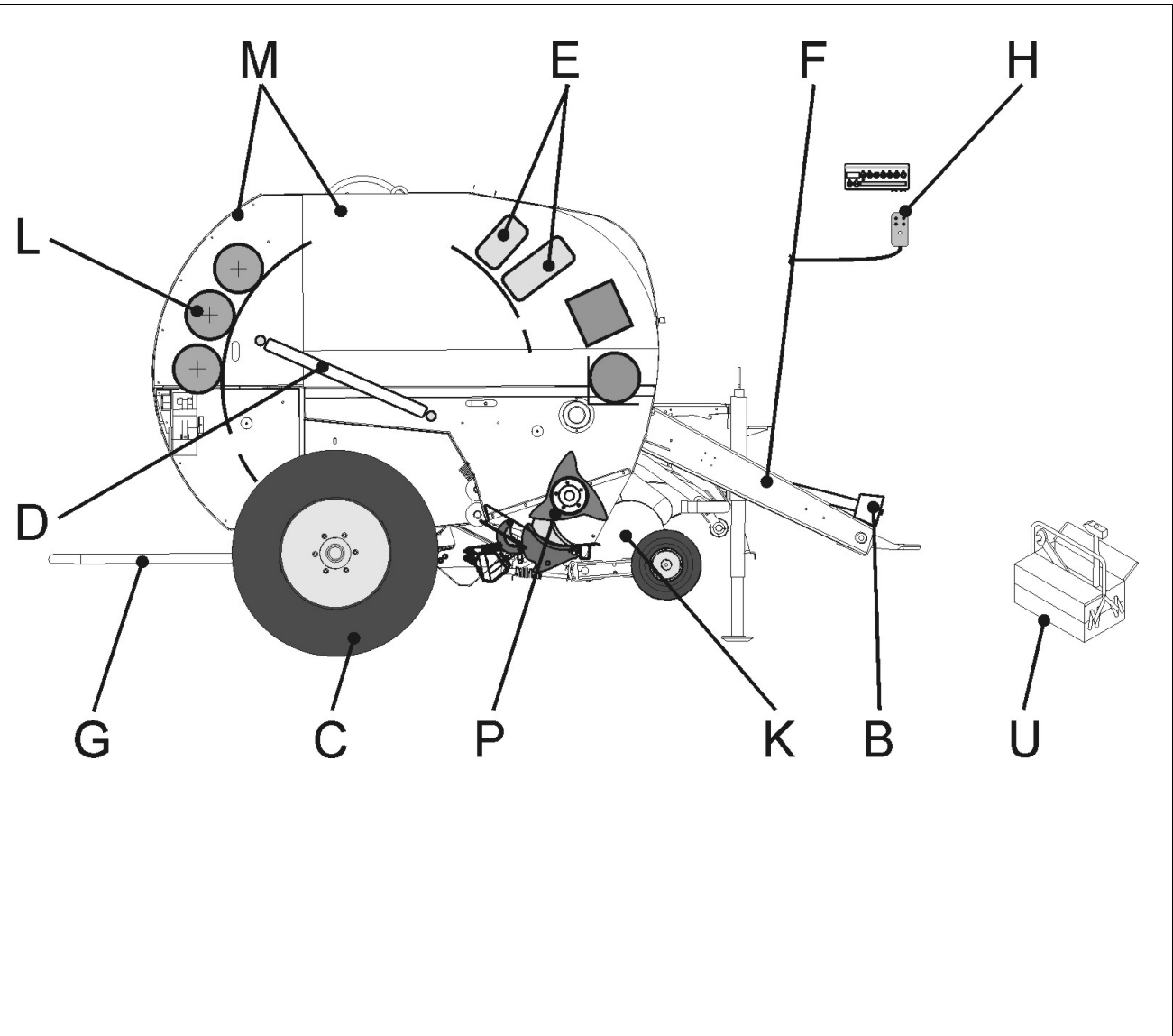
Spare Parts Manual

Article number :	VF16658695
Language :	EN
Production year (from) :	2006
Prod. Series nr (from) :	6843
< Mach. ID <=	

RF 235 / Table of Contents



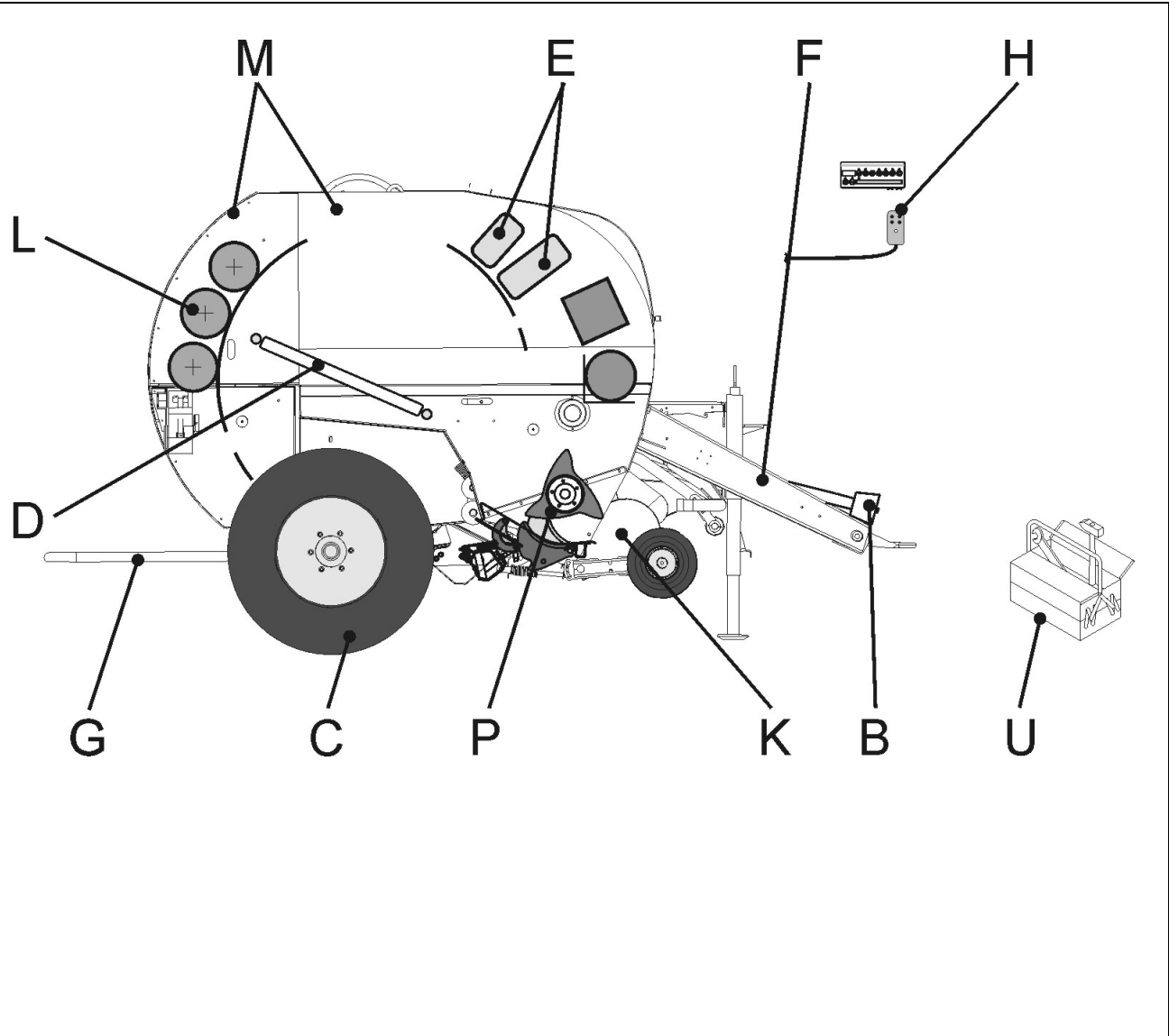
PosNo.	Assembly group	Page
B	GEAR BOX	1
B	GEAR BOX WITH ACCESSOIRES	2
B	DRIVE SHAFT FOR ROLLERS	3
B	DRIVE SHAFT FOR CUTTING DEVICE	4
B	CHAIN TENSIONER	5
B	TENSIONER	6
B	TENSIONER	7
B	CHAINS	8
B	UNIV.PROP.SHAFT WITH COUPLING 540 U/MIN	9
C	WHEEL AXLE	10
C	BRAKE AXLE	11
C	TANDEM AXLE	12
C	BRAKE AXLE TANDEM	13
C	BRAKE LEVER AIR AND HYDR. BRAKE	14
C	BRAKE LEVER AIR AND HYDR. BRAKE TANDEM	15
C	SUPPORT ADJUSTABLE	16
C	OUTER COVER	17
D	HYDRAULIC SYSTEM FOR REAR COVER	18
D	HYDRAULIC LIFT UNIT	19
D	HYDRAULIC SYSTEM CUTTING DEVICE	20
D	HYDR.DEVICE PU	21
D	HYDRAULIC PU AUTOPLUS	22
D	HYDRAULIC DEVICE FOR OC 23	23
D	LUBE SYSTEM FOR CHAIN	24
D	LUBE SYSTEM	25
D	HY. COUPLING FOR TOOTHED ROLLER	26
D	HYDRAULIC BRAKE SINGLE AXLE	27
D	AIR BRAKE SINGLE AXLE	28
D	AIR BRAKE SINGLE AXLE	29
D	PRESS. AIR BRAKE	30
D	HYDRAULIC BRAKE DEVICE	31
D	AIR BRAKE TANDEM	32
D	AIR BRAKE TANDEM	33
D	AIR BRAKE TANDEM	34
E	TWINE KNOTTER, FRAME	35
E	SKID LEFT AND RIGHT	36
E	COMBIN. BOX	37
E	ADAPTION FOR TWINE KNOTTER	38



RF 235 / Table of Contents



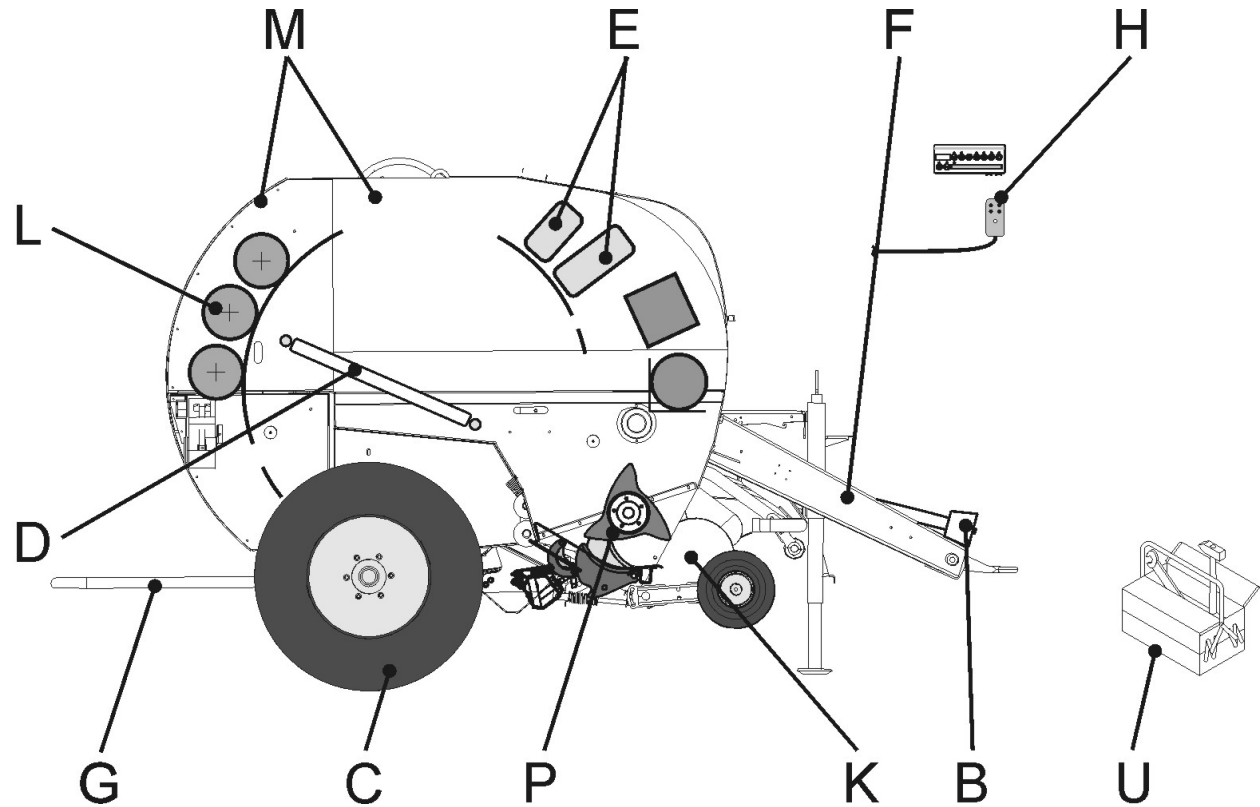
PosNo.	Assembly group	Page
E	STRIPPER FOR TWINE KNOTTER	39
E	NET BINDING FRAME	40
E	NET BINDING ROLLER	41
E	NET BRAKE	42
F	TRACTION DEVICE	43
F	EYE BOLTS	44
F	FRAME	45
F	FRAME REAR COVER	46
F	CE-PROTECTIVE YOKE STEP	47
G	BALE CHUTE	48
H	LIGHITNG SYSTEM	49
H	PILOTBOX AUTOFORM	50
H	ELECTRONIC CONTROLER AUTOFORM OC14/OC23	51
H	STEERING AUTOPLUS	52
K	PICK-UP OC 14	53
K	PICK-UP BAFFLE PLATE	54
K	PICK-UP OC23	55
K	CONTACT ROLLER	56
K	CONTACT ROLLER TURNABLE	57
K	PICK-UP ROLLER	58
L	UPPER DRIVE ROLLER FRONT	59
L	DRIVE ROLLER	60
L	END ROLLER	61
L	DRIVE ROLLER	62
L	END ROLLER	63
M	PANELLING FRONT	64
M	REAR PANELLING	65
M	REAR COVERING CAP	66
M	PANELLING ON SIDE DOWN	67
M	PANELLING ON SIDE DOWN	68
M	PANELLING ON SIDE OC14	69
M	PANELLING ON SIDE OC14	70
M	CHAIN GUARD OC23	71
P	CHASSIS OC14	72
P	ROTOR OC14	73
P	SCRAPER/WIPER 14 KNIFE	74
P	CUTTING DEVICE 14 KNIFE	75
P	CUTTING FRAME AND ROTOR OC 23	76
P	DRIVE SHAFT OC23	77

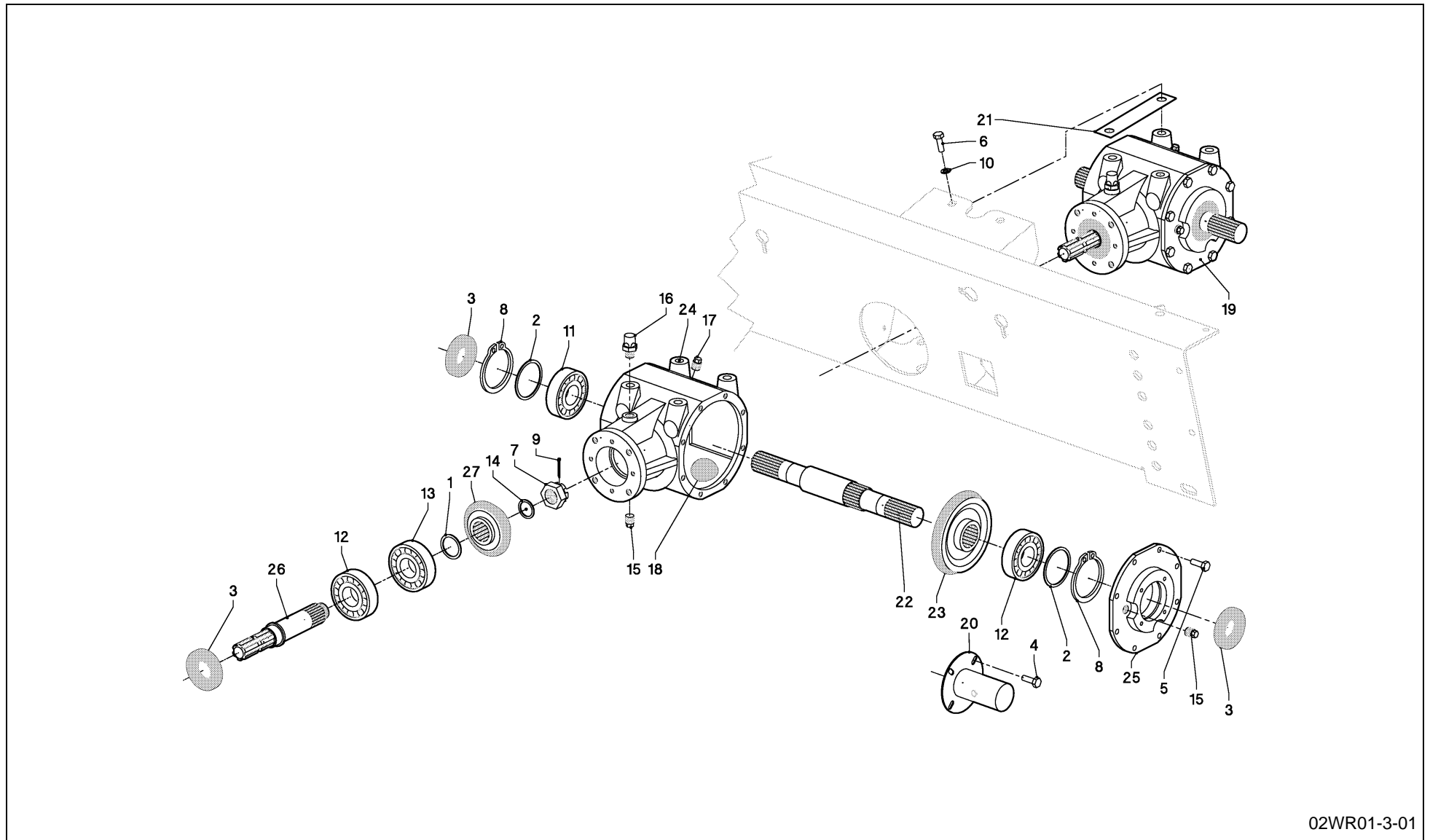


RF 235 / Table of Contents



PosNo.	Assembly group	Page
P	CUTTING DEVICE OC 23	78
P	TENSIONER	79
P	PRP-SYSTEM	80
U	DECALS PAINT	81
U	KEY	82





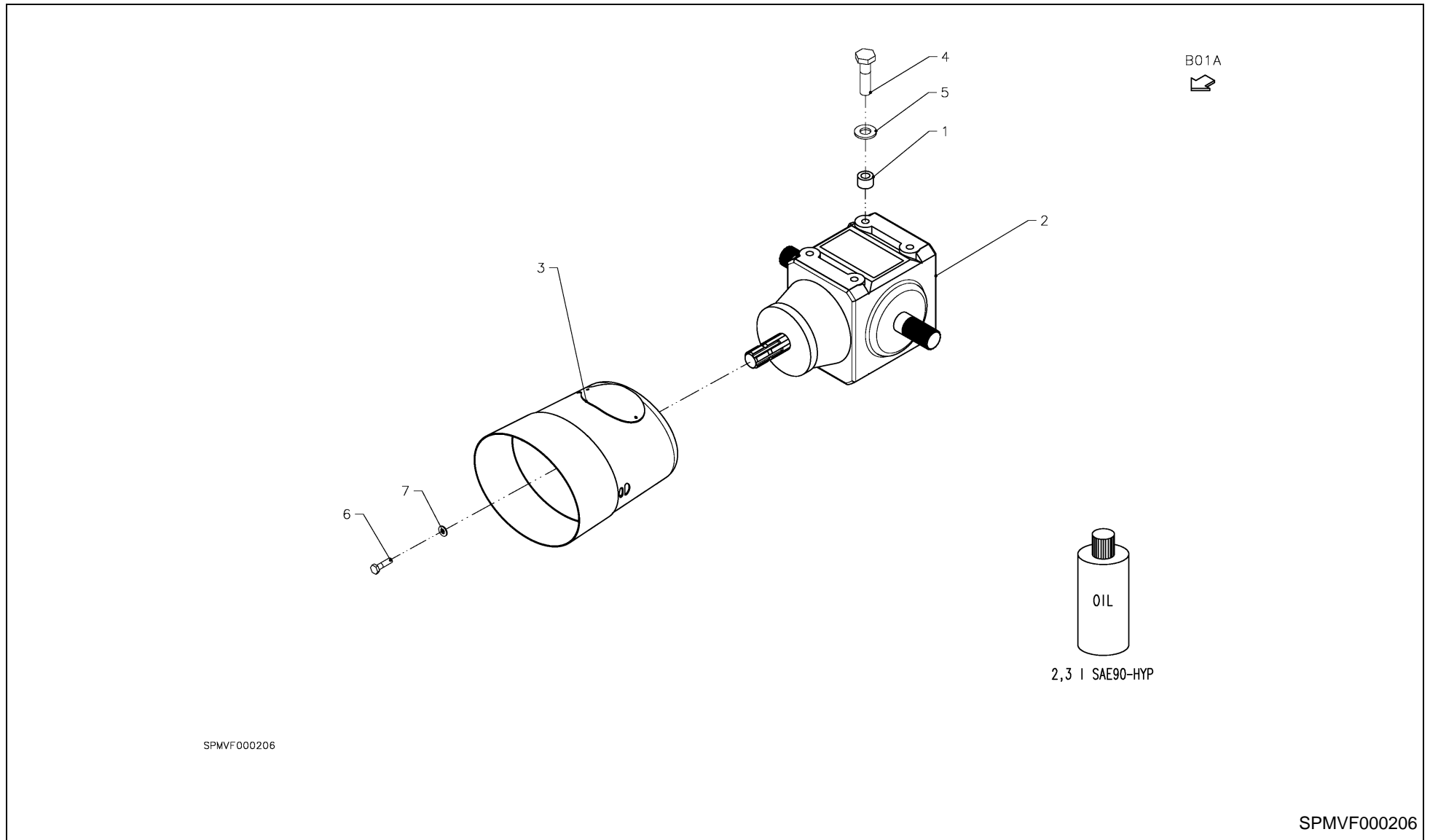
02WR01-3-01

RF 235 / gear box



PosNo.	Part No.	Qty.	Description	Remark
1	VG AH00132		SHIM SET	
2	VGG S0089		SHIM SET	
3	KG00160200	3	RADIAL SHAFT SEAL - AS 40X80X10	
4	KG00471761	4	HEX. SCREW M8X16 8.8	
5	KG00474261	8	HEX. SCREW M10X25 8.8	
6	KG00480161	6	HEX. SCREW M16X35 8.8	
7	KG01081800	1	CASTLE NUT M30X1.5 8	
8	KG01119100	2	CIRCLIP-B 80 X 4	
9	KG01252061	1	SPLIT PIN 4X50 ST	
10	KG01282061	6	SPRING WASHER M16	
11	KG01382800	1	BALL BEARING 6208	
12	KG01799800	2	TAPER ROLLER BEARING 30208	
13	KG01800100	1	TAPER ROLLER BEARING 30308	
14	VG MT00310	1	SHIM SET S-X30.2X38	
15	VG ND92092V	3	PLUG	
16	VG ND92093V	1	BREATHER	
17	VG ND92155V	1	PLUG, MAGNETIC	
18	VG ND9824		OMALA 100 SHELL(OLIE/LTR.BULK)	
19	VG WA00154	1	GEARBOX ASSY	
20	VG WA1809	1	COVER, PLASTIC	
21	VG WA662V	1	PLATE, SHIM	
22	VG WA734	1	AXLE	
23	VG WA735	1	WHEEL, TOOTHED	
24	VG WA736	1	GEARBOX	
25	VG WA737	1	LID	
26	VG WA738	1	AXLE	
27	VG WA739	1	WHEEL, TOOTHED	

RF 235 / gear box with accessoires



SPMVF000206

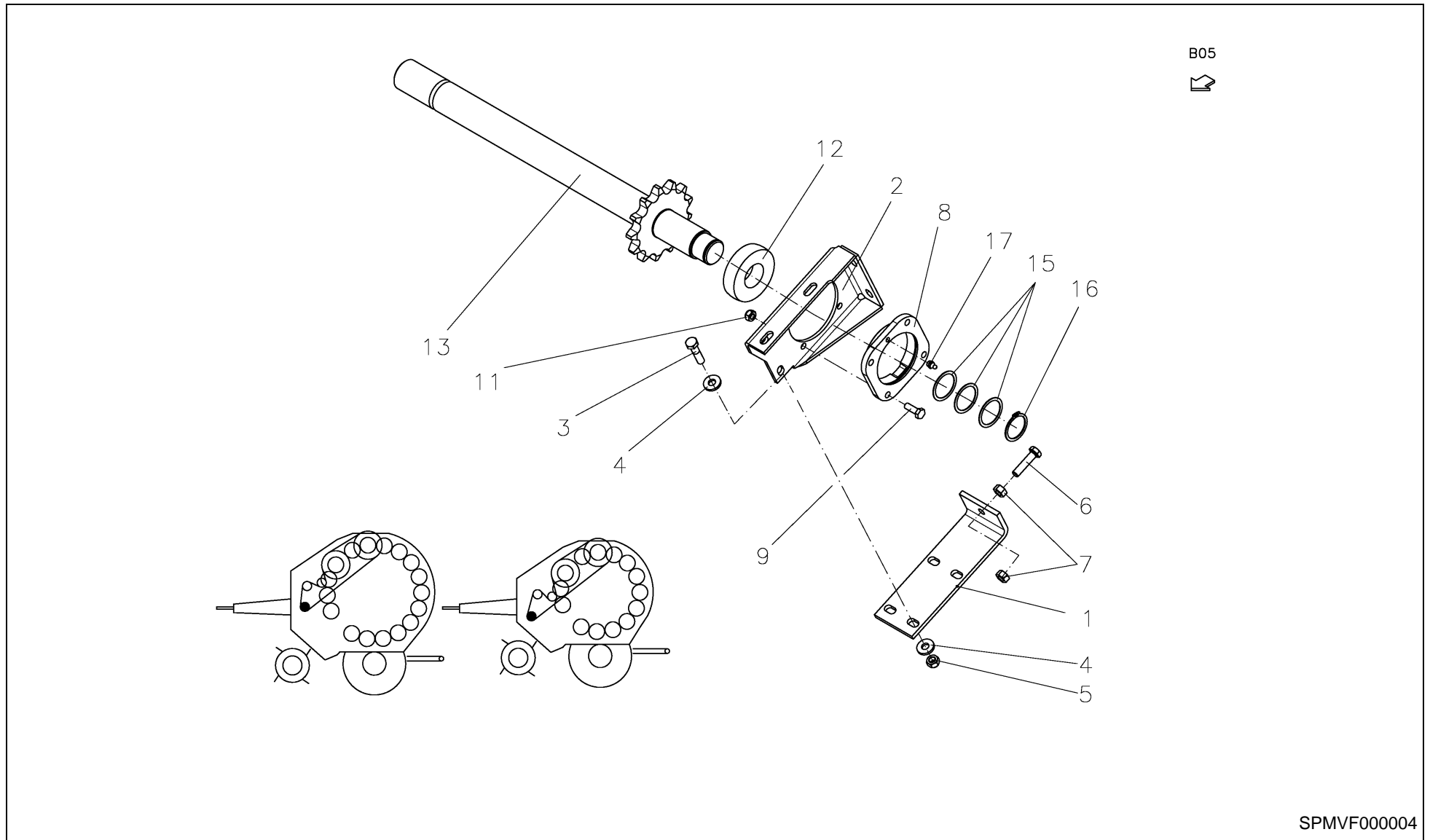
SPMVF000206



RF 235 / gear box with accessoires

PosNo.	Part No.	Qty.	Description	Remark
1	VF06575227	1	SPACER RING	
2	VGWA00154	1	GEARBOX ASSY	
3	VGND94053	1	GUARD CONE	
4	VF01177888	4	HEX.BOLT	
5	VGND9475	4	WASHER, BELLEVILLE	
6	KG00471961	4	HEX. SCREW M8X20 8.8	
7	VF06214246	4	WASHER	

RF 235 / drive shaft for rollers



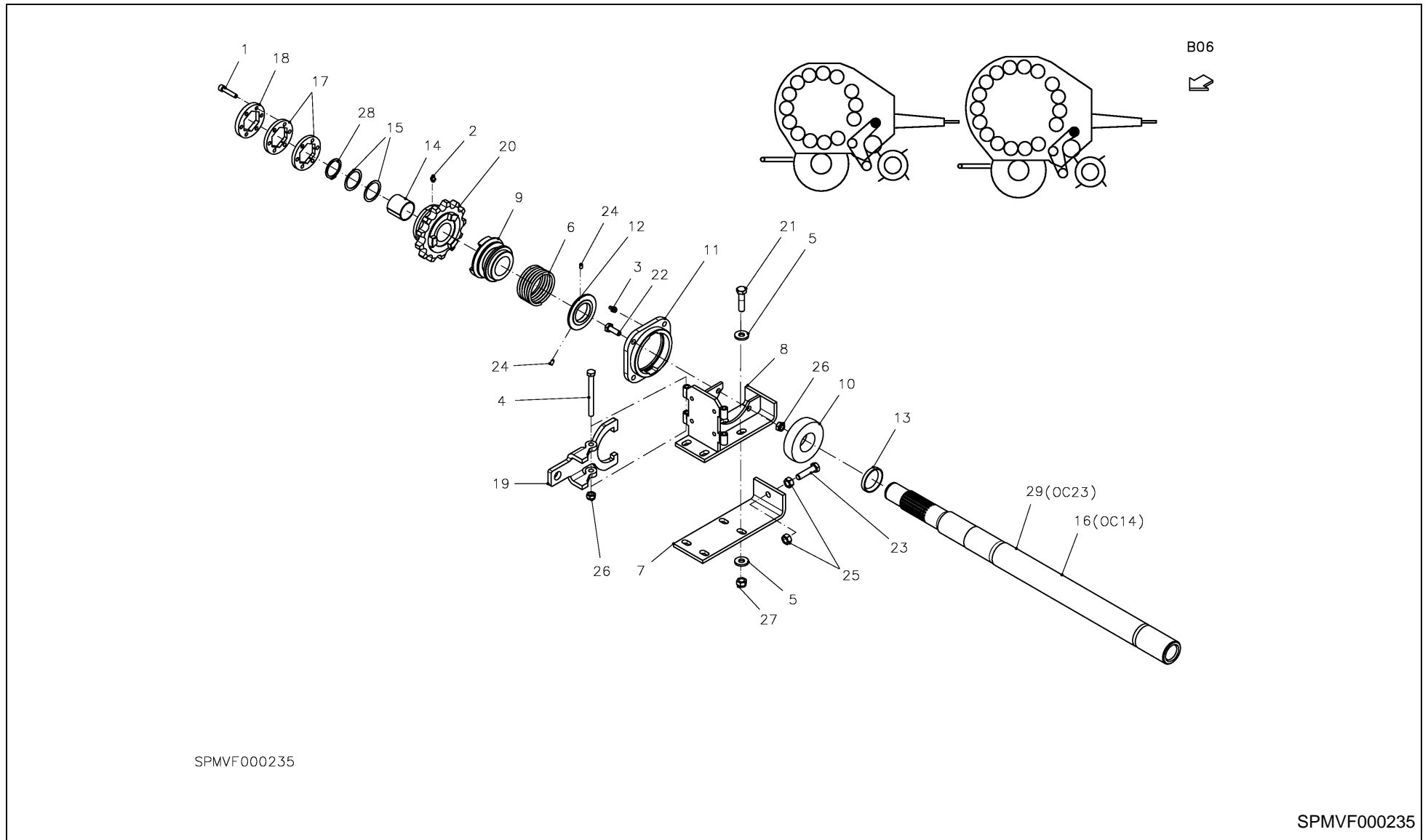
SPMVF000004



RF 235 / drive shaft for rollers

PosNo.	Part No.	Qty.	Description	Remark
1	VF16613771.86	1	ANGLED PLATE	
2	VF16655652.86	1	STUETZE	
3	KG00357561	4	HEX. BOLT M12X50 8.8	
4	VGTH100V	8	RING	
5	KG01068961	4	LOCK NUT M12 10	
6	KG00476961	1	HEX. SCREW M12X50 8.8	
7	KG01052161	2	HEX. NUT M12 8	
8	VF16614253.86	1	BEARING RACE	
9	KG00474361	4	HEX. SCREW M10X30 8.8	
10	KG01267461	4	WASHER M10	
11	KG01067661	4	LOCK NUT M10 8	
12	VF16614109	1	BALL BEARING	
13	VF16613759.86	1	DRIVE SHAFT	
15	VGTP0011	3	SHIM SET	
16	KG01110162	1	CIRCLIP-A 45 X 1.75	
17	VF01120694	1	GREASE NIPPLE	

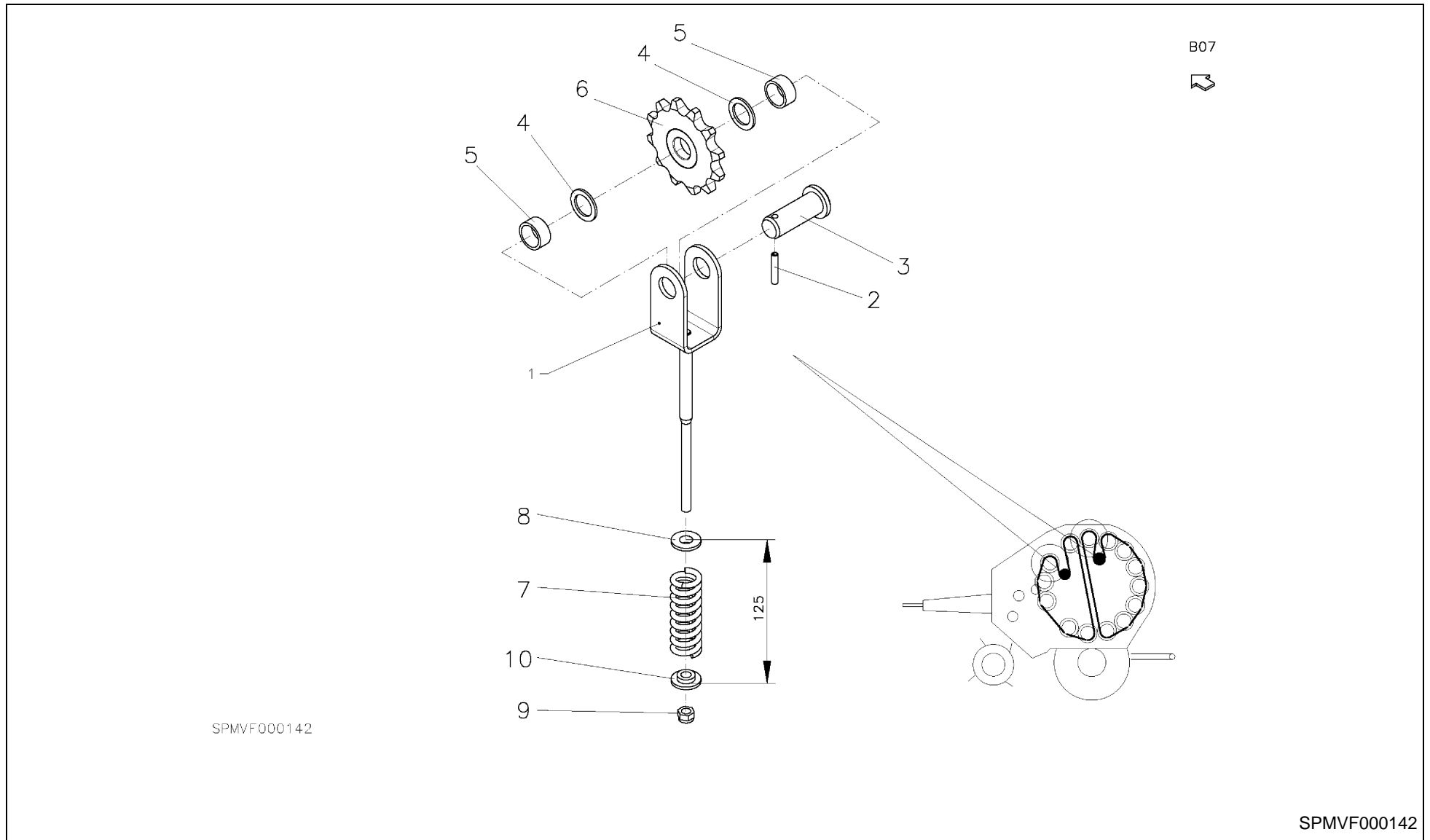
RF 235 / drive shaft for cutting device





RF 235 / drive shaft for cutting device

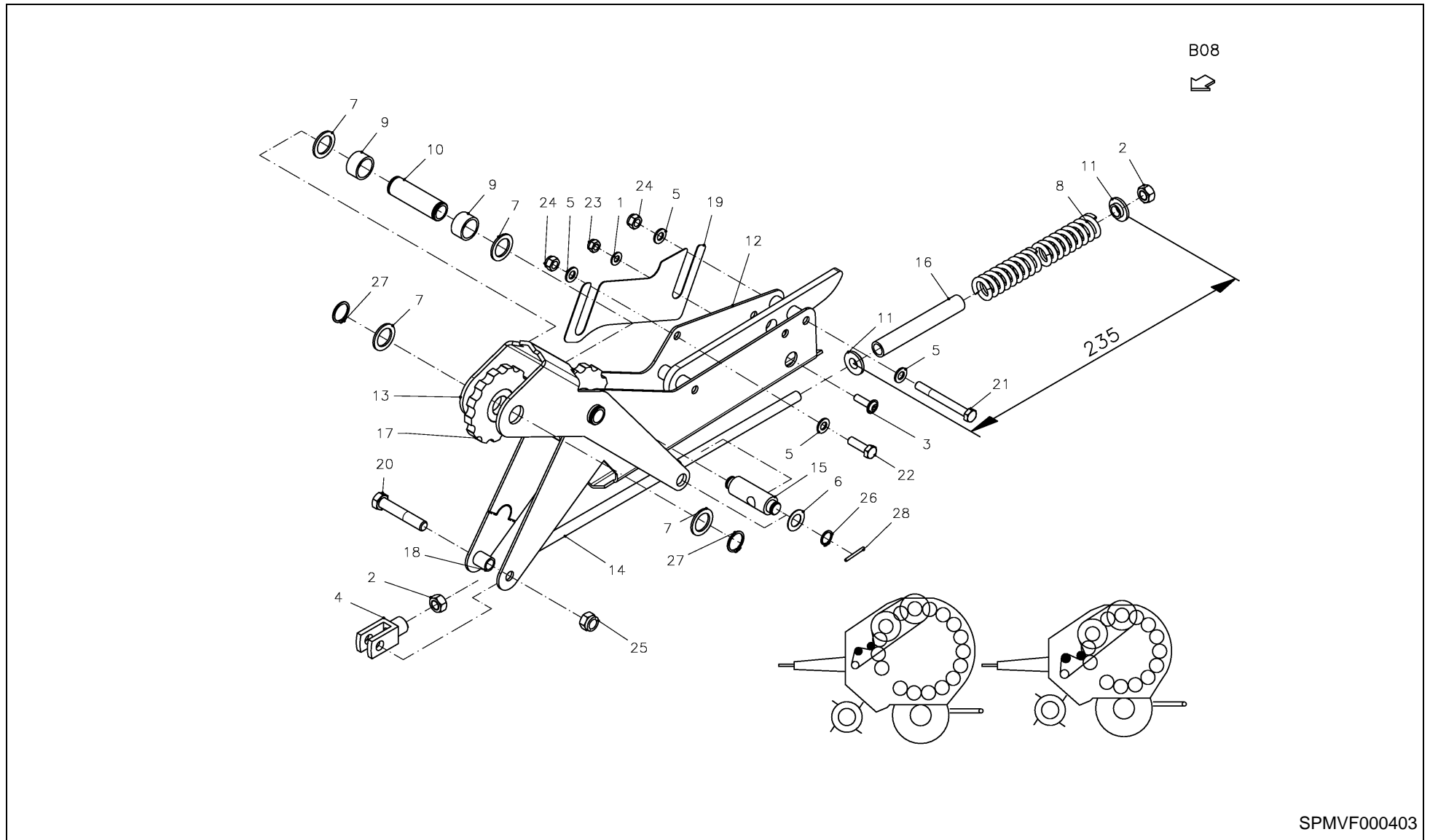
PosNo.	Part No.	Qty.	Description	Remark
1	VF01110595	6	HEX HEAD SCREW	
2	VGND9813V	1	GREASE NIPPLE	
3	VF01120694	1	GREASE NIPPLE	
4	KG00356461	1	HEX. BOLT M10X110 8.8	
5	VGTH100V	8	RING	
6	VF06215408	1	COMPRESSION SPRING	
7	VF16613771.86	1	ANGLED PLATE	
8	VF16653991.86	1	LAGERUNG GSW.	
9	VF16613777.86	1	SLIDING DOG	
10	VF16614109	1	BALL BEARING	
11	VF16614253.86	1	BEARING RACE	
12	VF16614279	1	WASHER	
13	VF16616328	1	BEARING RACE	
14	VF16618198	1	BUSH	
15	VF06214493	2	SPACER	
16	VF16653859.86	1	DRIVE SHAFT	
17	VF16653941.61	2	WASHER	
18	VF16653943.61	1	WASHER	
19	VF16654189.86	1	LEVER/ARM	
20	VF16654539.86	1	CHAIN SPROCKET	
21	KG00357561	4	HEX. BOLT M12X50 8.8	
22	KG00474361	4	HEX. SCREW M10X30 8.8	
23	KG00476961	1	HEX. SCREW M12X50 8.8	
24	KG00917600	2	SET SCREW M6X12 45H	
25	KG01052161	2	HEX. NUT M12 8	
26	KG01067661	5	LOCK NUT M10 8	
27	KG01068961	4	LOCK NUT M12 10	
28	KG01109862	1	CIRCLIP-A 40 X 1.75	
29	VF16613763.86	1	DRIVE SHAFT	





RF 235 / chain tensioner

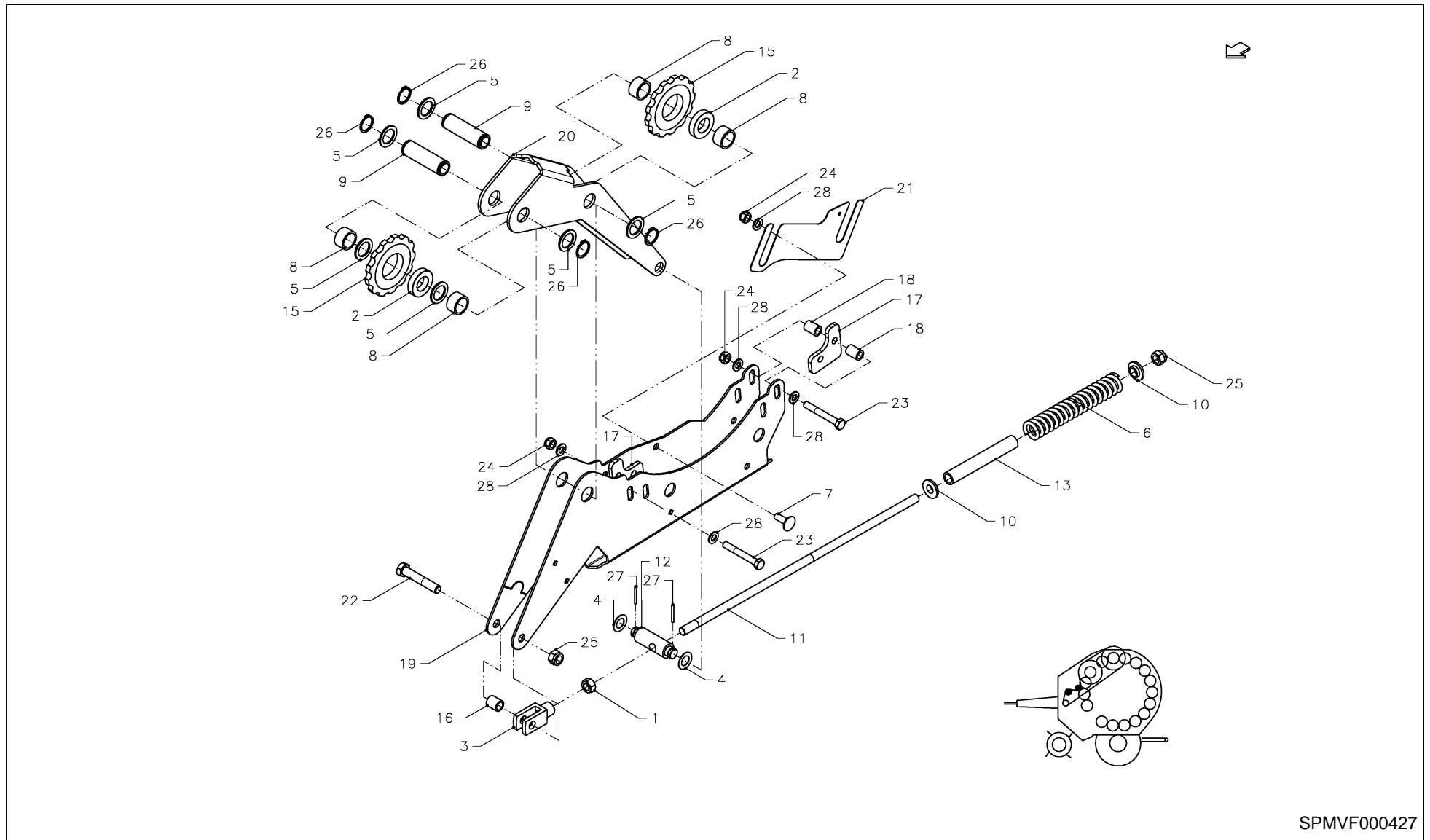
PosNo.	Part No.	Qty.	Description	Remark
1	VF16654528.86	2	TENSIONER CHAIN	
2	KG01191962	2	TENSION PIN 8X45	
3	VF16654530	2	PIN	
4	VF06214321	4	WASHER	
5	VF16614124	4	SPACER TUBE	
6	VF16654532.86	2	SPROCKET	
7	VF06215432	2	COMPRESSION SPRING	
8	VF16653934	2	WASHER	
9	KG01068961	2	LOCK NUT M12 10	
10	VF06550817	2	SPRING CUP	



RF 235 / tensioner



PosNo.	Part No.	Qty.	Description	Remark
1	KG01267461	1	WASHER M10	
2	KG01052361	2	HEX. NUT M16 8	
2	KG01052361	2	HEX. NUT M16 8	
3	VF01142597	1	TRUSS-HEAD SCREW	
4	VF01397600	1	CLEVIS	
5	KG01267561	4	WASHER M12	
6	KG01267961	1	WASHER M20	
7	VF06214321	4	WASHER	
8	VF06215432	2	COMPRESSION SPRING	
9	VF16651095	4	SPACER TUBE	
10	VF16651097	2	PIPE	
11	VF16653934	2	WASHER	
12	VF16654928.86	1	TENSIONER CHAIN	
13	VF16654931.86	1	LEVER	
14	VF16654932	1	THREADED ROD M16X605	
15	VF16654933.86	1	HOUSING	
16	VF16654953.86	2	PIPE/TUBE	
17	VF16654960.86	2	CHAIN SPROCKET Z=13	
18	VF16655394	1	TUBE	
19	VF16657753.61	3	PLATE, SHIM	
20	KG00339261	1	HEX. BOLT M16X90 10.9	
21	KG00358461	2	HEX. BOLT M12X110 8.8	
22	KG00476761	1	HEX. SCREW M12X40 8.8	
23	KG01068861	1	LOCK NUT M10 10	
24	KG01069161	2	LOCK NUT M16 10	
25	KG01069161	1	LOCK NUT M16 10	
26	KG01107862	2	CIRCLIP-A 20 X 1.2	
27	KG01108862	2	CIRCLIP-A 30 X 1.5	
28	KG01186862	1	TENSION PIN 4X40	



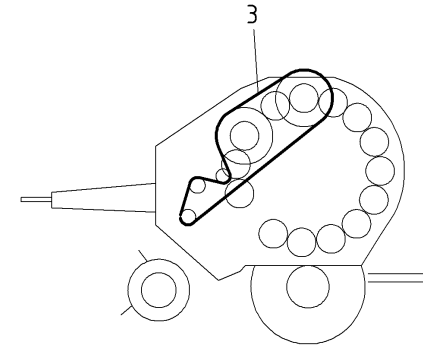
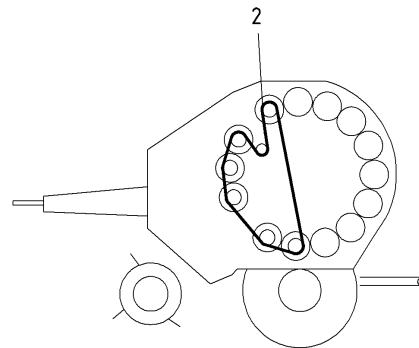
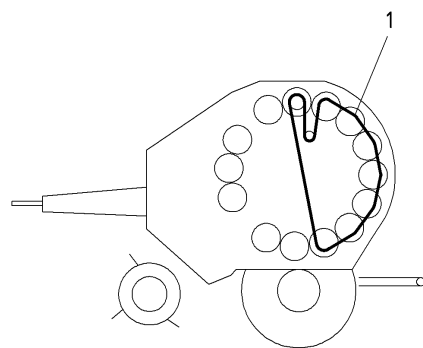
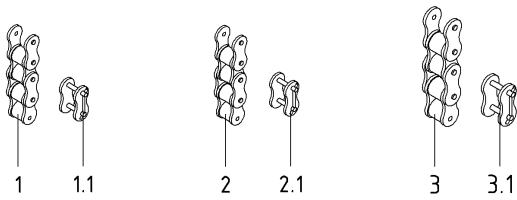
SPMVF000427

RF 235 / tensioner



PosNo.	Part No.	Qty.	Description	Remark
1	KG01052361	1	HEX. NUT M16 8	
2	KG01461100	2	BALL BEARING 6006-2RS C3	
3	VF01397600	1	CLEVIS	
4	KG01267961	2	WASHER M20	
5	VF06214321	6	WASHER	
6	VF06215432	2	COMPRESSION SPRING	
7	VF16607787	4	SCREW	
8	VF16651095	4	SPACER TUBE	
9	VF16651097	2	PIPE	
10	VF16653934	2	WASHER	
11	VF16654932	1	THREADED ROD M16X605	
12	VF16654933.86	1	HOUSING	
13	VF16654953.86	1	PIPE/TUBE	
15	VF16654961.86	2	KETTENRAD Z=13	
16	VF16655394.86	1	TUBE	
17	VF16657703.86	2	PLATE	
18	VF16657704.86	8	TUBE	
19	VF16657705.86	1	TENSIONER, CHAIN	
20	VF16657707.86	1	HANDLE	
21	VF16657753.61	3	PLATE, SHIM	
22	KG00339261	1	HEX. BOLT M16X90 10.9	
23	KG00358261	4	HEX. BOLT M12X90 8.8	
24	KG01068961	8	LOCK NUT M12 10	
25	KG01069161	2	LOCK NUT M16 10	
26	KG01108862	4	CIRCLIP-A 30 X 1.5	
27	KG01186862	2	TENSION PIN 4X40	
28	KG01267561	12	WASHER M12	

B10



51-979031/XX/B10.00

M5-KETTE

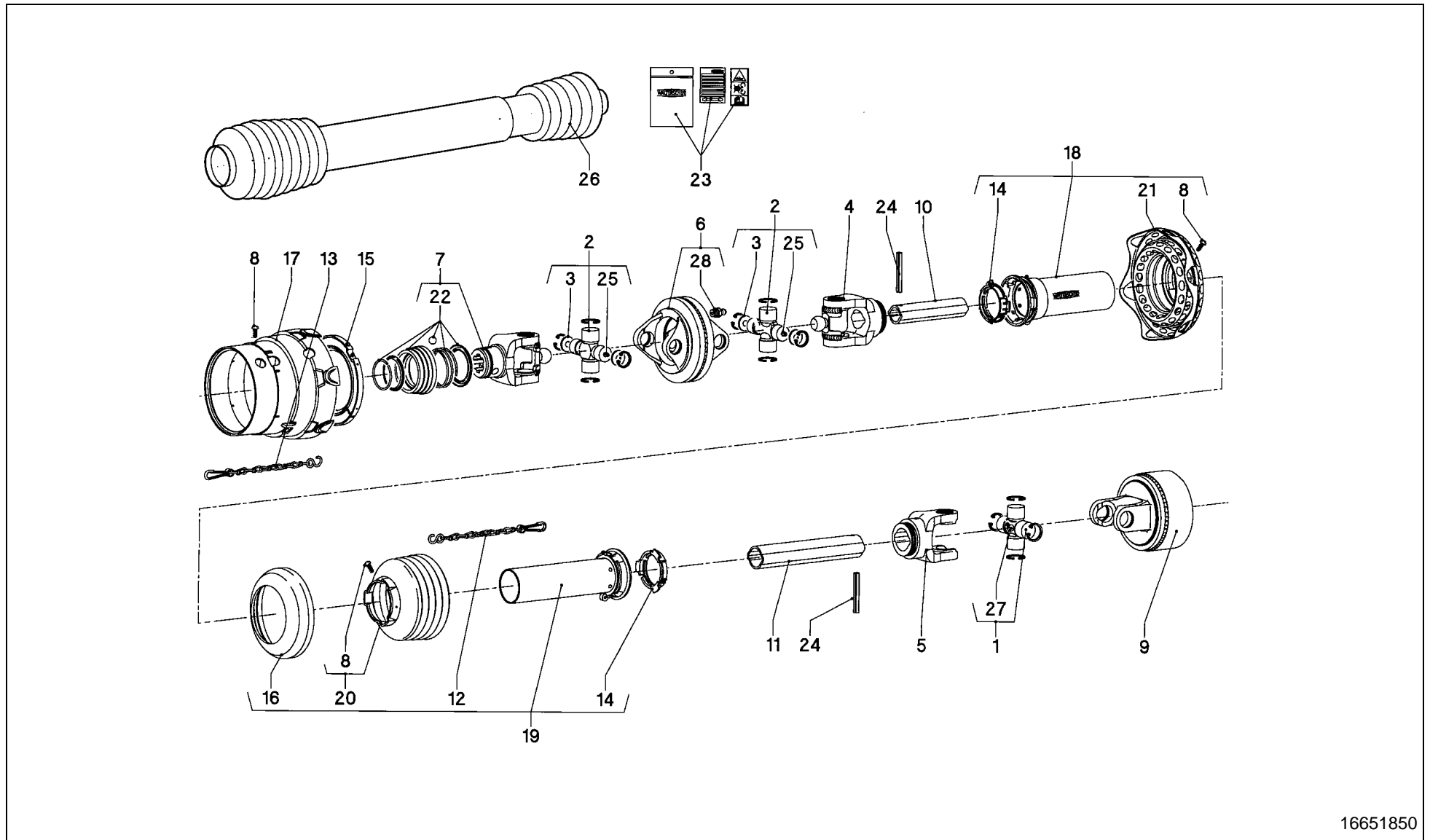
5197903100B10



RF 235 / chains

PosNo.	Part No.	Qty.	Description	Remark
1	VF16654526	1	CHAIN	
1	VF06213194		CHAIN LINK	
2	VF16654531	1	CHAIN	
2.1	VF06213194		CHAIN LINK	
3	VF16651947	1	ROLLER CHAIN	
3.1	VF01397747		CHAIN LOCK	

RF 235 / univ.prop.shaft with coupling 540 U/min



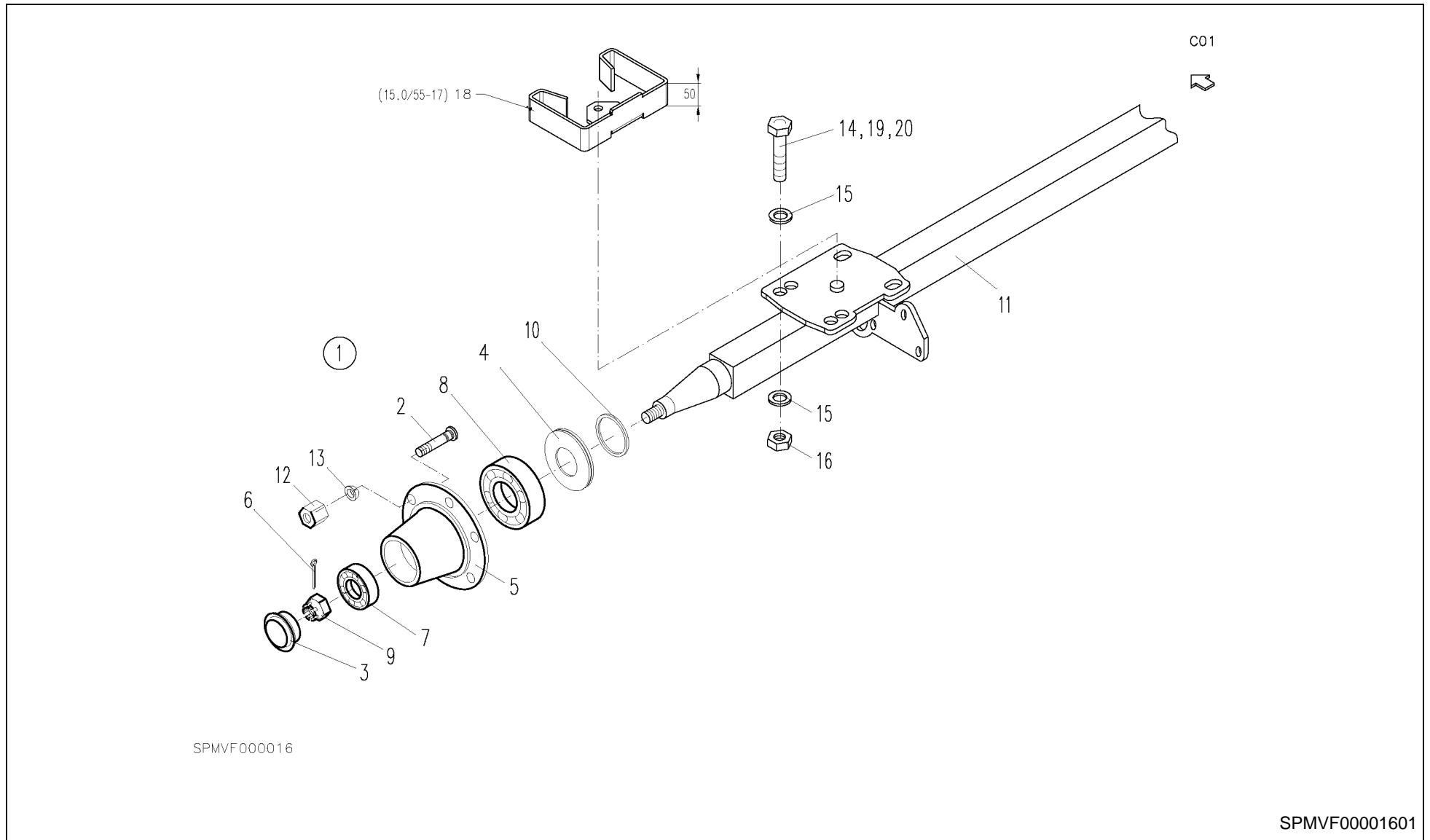
16651850

RF 235 / univ.prop.shaft with coupling 540 U/min



PosNo.	Part No.	Qty.	Description	Remark
1	VG35.00.00	1	UNIVERSAL JOINT	
2	VG35.06.141	1	CROSS ASSY	
3	VG35.06.70	2	SCHIJF 26.95X2	
4	VG35.13.10	4	INBOARD YOKE	
5	VG35.14.00	1	GAFFEL RG2400-2A	
6	VG35.41.05	1	GAFFEL, DUBBEL- DOPG248	
7	VG35.83.830	1	YOKE, QUICK-DISCONNECT	
8	VG365305	10	SCREW	
9	VG690101	1	COUPLING, CAM	M=2000Nm
10	VG75.25.91	2	PROFIELBUIS 1BGA L=1000	
11	VG75.36.00	1	PROFIELBUIS 2AG L=1400	
12	VG82.36.03	3	KETTING, BORG- L=400	
13	VG82.36.08	1	KETTING, BORG- L=600	
14	VG82.83.04	2	RING, GLIJ-	
15	VG82.83.14	1	GLIJRING SC25	
16	VG82.85.00	1	RING, STEUN-	
17	VG85.01.02	2	GUARD	
18	VG85.202	1	BU.BESCHR.B.HELFTH SCH25-A?-RP	GIVE LENGHTS WHEN ORDERING
19	VG85.204	1	BI.BESCHR.B.HELFTH SDH25-J?-RP	GIVE LENGHTS WHEN ORDERING
20	VG85.25.07	1	BESCHERMKAP	
21	VG85.25.62	1	GUARD	
22	VGAGRASET172	1	SERVICESET AFTAKAS ASE-B	
23	VGAGRASET207	1	OPERATION MANUAL	
24	KG01194562	1	TENSION PIN 10X80	
25	VGND9004V	1	GREASE NIPPLE M6X180 DEGR	
26	VF16651850	1	UNIVERSAL PROP SHAFT	
27	VGND98026V	1	GREASE NIPPLE	
28	VGND9813V	1	GREASE NIPPLE	

RF 235 / wheel axle

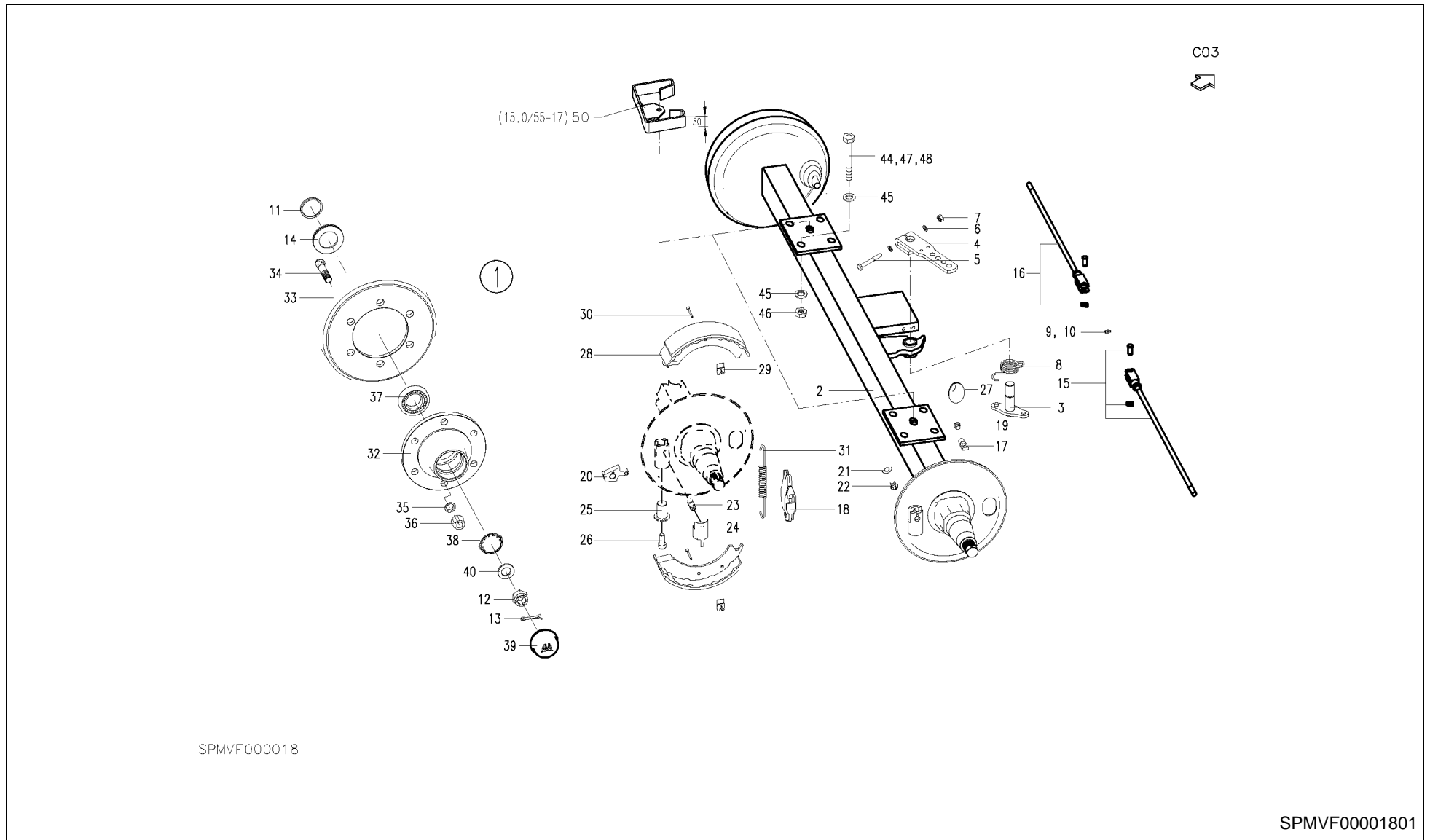




RF 235 / wheel axle

PosNo.	Part No.	Qty.	Description	Remark
1	VF16653236	1	AXLE/PIVOT PIN	
2	VF16614444	12	PIN	
3	VF16612405	2	WHEEL CAP	
4	VF16618668	2	SEAL RING	
5	VF16617329.86	2	WHEEL HUB	
6	KG01252961	2	SPLIT PIN 5X45 ST	
7	KG01799200	2	TAPER ROLLER BEARING 32207	
8	KG01802600	2	TAPER ROLLER BEARING 32211	
9	KG01083061	2	CASTLE NUT M27X1.5 4	
10	VF16618669	2	RING	
11	VF16618667	1	AXLE SUPPORT	
12	VF16618670	12	WHEEL NUT	
13	VF01121808	12	SPRING LOCKWASHER	
14	KG00480461	8	HEX. SCREW M16X50 8.8	
15	KG01267761	16	WASHER M16	
16	KG01069161	8	LOCK NUT M16 10	
18	VF16654619.86	2	AXLE LIFTING 50 MM	
19	KG00363361	8	HEX. BOLT M16X160 8.8	
20	KG00362861	8	HEX. BOLT M16X110 8.8	

RF 235 / brake axle

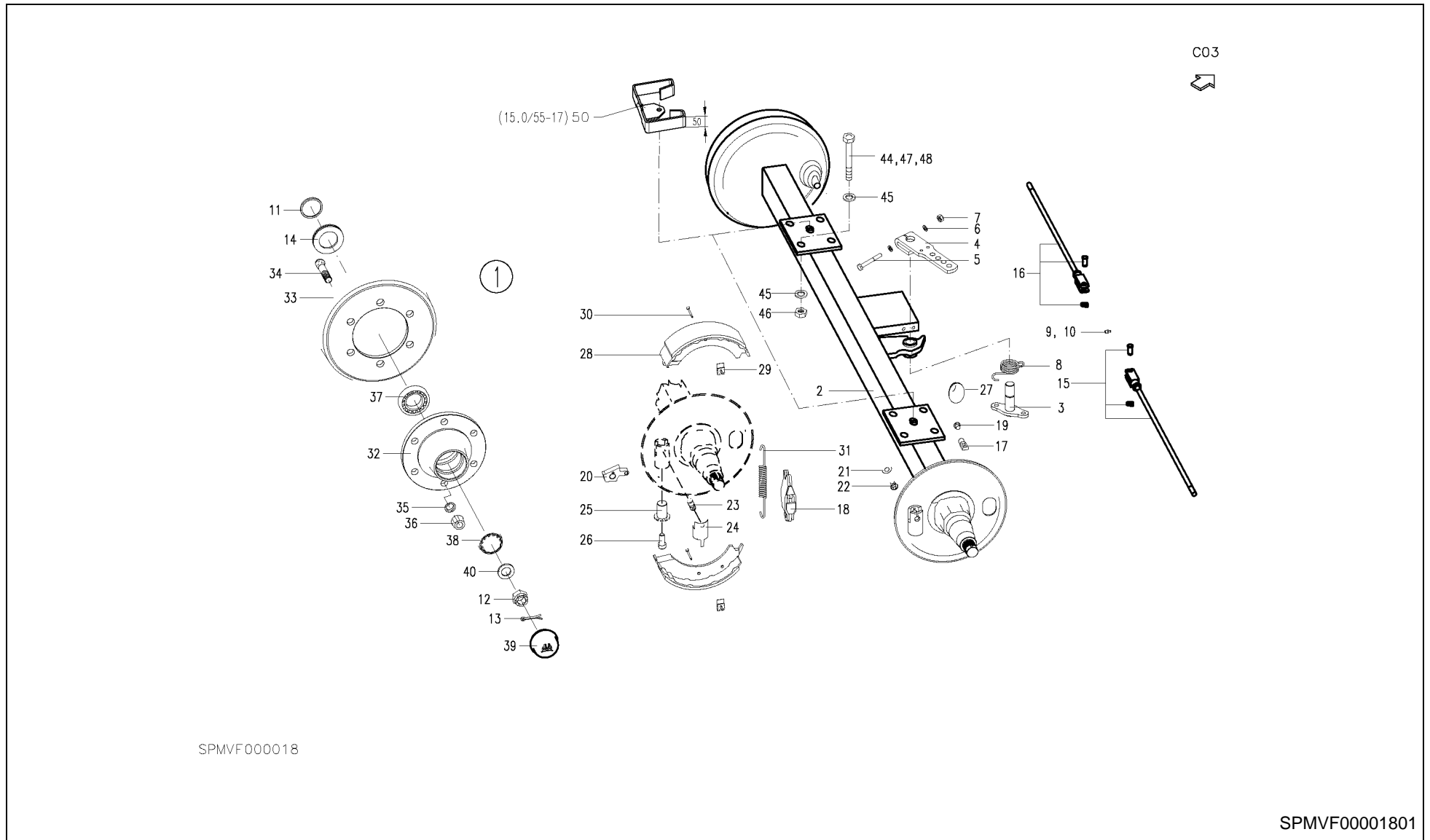




RF 235 / brake axle

PosNo.	Part No.	Qty.	Description	Remark
1	VF16653237	1	BRAKE AXLE	
2	VF16653702.86	1	AXLE SUPPORT	
3	VF16612429.86	1	LEVER/ARM	
4	VF16653085.86	1	BRAKE LEVER	
5	KG00355861	1	HEX. BOLT M10X70 8.8	
6	KG01267461	2	WASHER M10	
7	KG01067661	1	LOCK NUT M10 8	
8	VF16618674	1	SPRING	
9	VF16602619	1	GREASE NIPPLE	
10	VF16618675	1	PLUG	
11	VF16618676	2	RING	
12	KG01083061	2	CASTLE NUT M27X1.5 4	
13	KG01252961	2	SPLIT PIN 5X45 ST	
14	VF16618668	2	SEAL RING	
15	VF16618677	1	PULL ROD	
16	VF16618678	1	PULL ROD	
17	VF16618679	2	YOKE	
18	VF16618680	2	LOCK EXPANDED	
19	VF16618681	4	PLUG	
20	VF16618682	2	PART	
21	VF16618683	2	FUSE	
22	VF16618684	2	ADJUSTING BOLT	
23	VF16618685	2	PIN	
24	VF16618686	2	CLAMP	
25	VF16618687	2	ADJUSTING NUT	
26	VF16618688	2	SCREW/BOLT	
27	VF16618689	2	CONNECTING SLEEVE	
28	VF16618690	4	BRAKE SHOE	
29	VF16618691	4	TENSION SPRING	
30	VF16618692	4	DOWEL PIN	
31	VF16618693	2	TENSION-SPRING	
32	VF16617329.86	2	WHEEL HUB	
33	VF16618694	2	BRAKE DRUM	
34	VF16612402	12	WHEEL STUD	
35	VF01121808	12	SPRING LOCKWASHER	
36	VF01121797	12	FLAT-COLLAR NUT	
37	KG01802600	2	TAPER ROLLER BEARING 32211	
38	KG01799200	2	TAPER ROLLER BEARING 32207	
39	VF16612405	2	WHEEL CAP	
40	VF01137526	2	WASHER	

RF 235 / brake axle

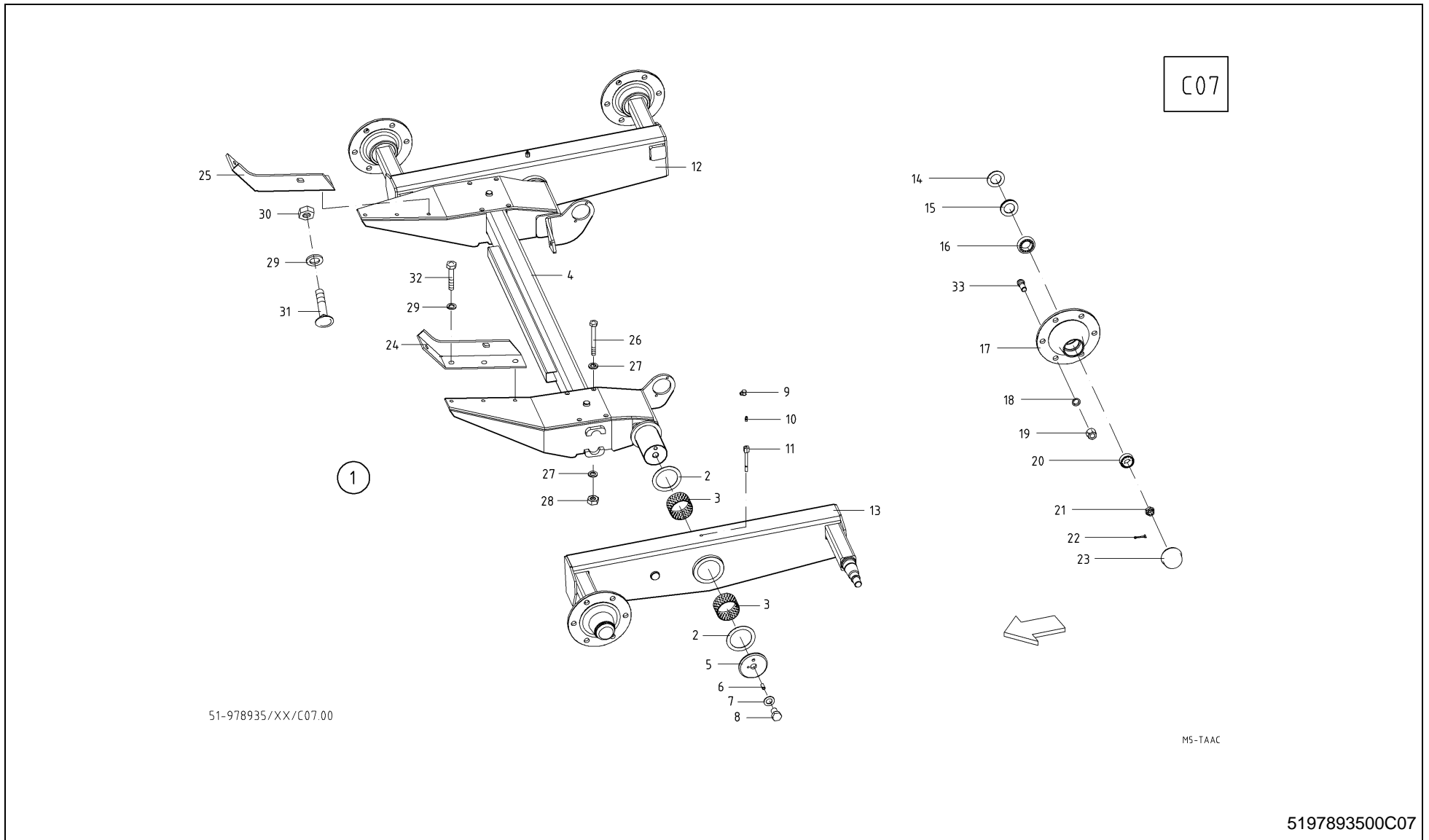




RF 235 / brake axle

PosNo.	Part No.	Qty.	Description	Remark
44	KG00338861	8	HEX. BOLT M16X60 10.9	
45	KG01267761	16	WASHER M16	
46	KG01069161	5	LOCK NUT M16 10	
47	KG00363361	8	HEX. BOLT M16X160 8.8	
48	KG00362861	8	HEX. BOLT M16X110 8.8	
50	VF16654619.86	2	AXLE LIFTING 50 MM	

RF 235 / tandem axle

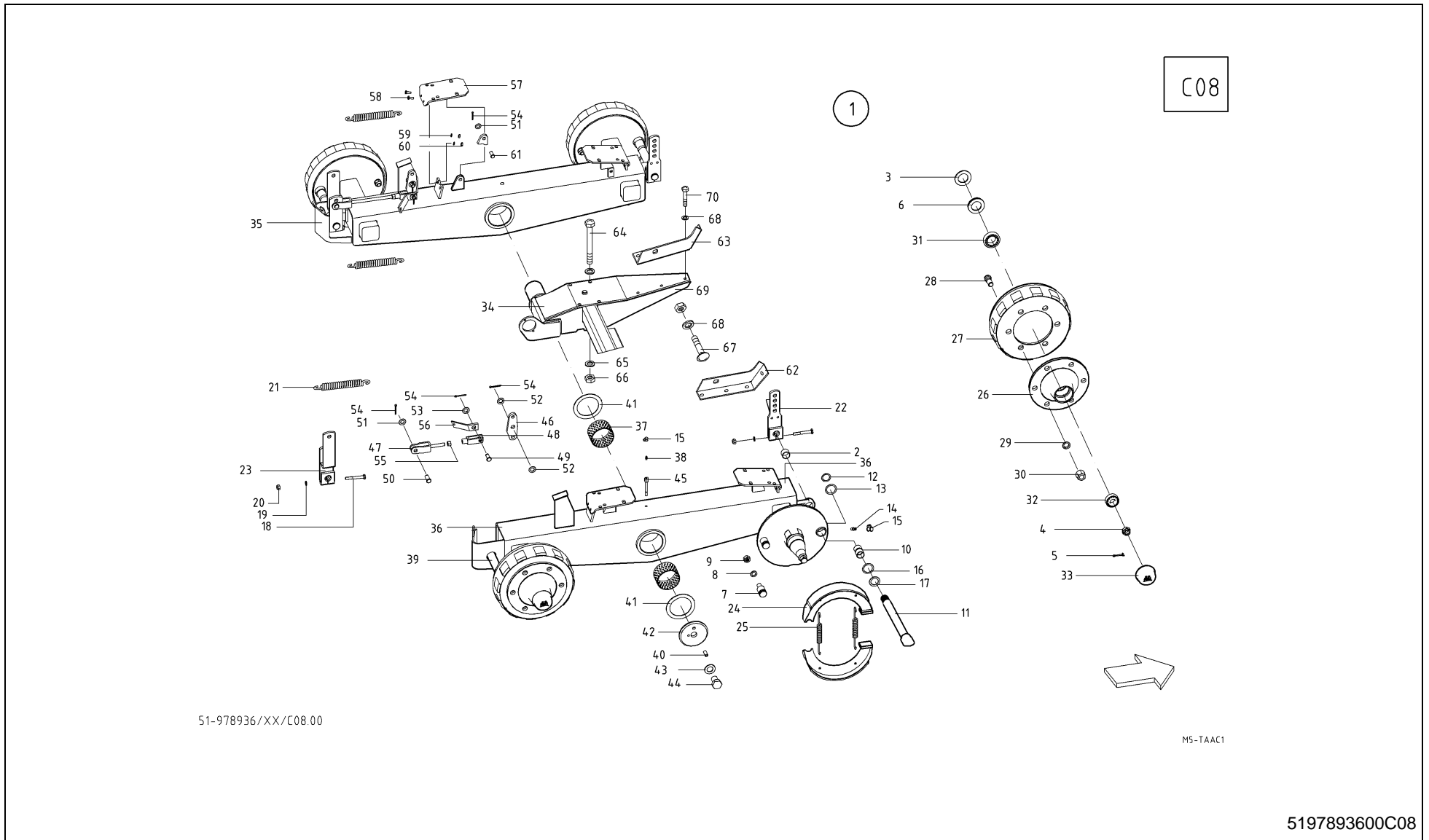




RF 235 / tandem axle

PosNo.	Part No.	Qty.	Description	Remark
1	VF16651540	1	TANDEM AXLE	
2	VF16619351	4	STOP WASHER	
3	VF16602618	4	BUSH	
4	VF16618605	1	CENTRE PART	
5	VF16602621.86	2	WASHER	
6	KG01195262	2	TENSION PIN 12X30	
7	VF16602622	2	WASHER	
8	VF16618608	2	SCREW/BOLT	
9	VF16602606	2	PROTECTING CAP	
10	VF16602619	2	GREASE NIPPLE	
11	VF16618609	2	LUBE CUP	
12	VF16618612.86	1	ARM	
13	VF16618613.86	1	ARM	
14	VF16618697	4	RING	
15	VF16618698	4	SEAL RING	
16	VF16618604	4	TAP.ROLLER BEARING	
17	VF16616075.86	4	HUB	
18	VF16618602	24	SPRING WASHER	
19	VF16618603	24	FLAT-COLLAR NUT	
20	KG01799200	4	TAPER ROLLER BEARING 32207	
21	KG01083061	4	CASTLE NUT M27X1.5 4	
22	KG01252961	4	SPLIT PIN 5X45 ST	
23	VF16612405	4	WHEEL CAP	
24	VF16651221	1	ANGLE PLATE	
25	VF16651222	1	ANGLE PLATE	
26	KG00481961	8	HEX. SCREW M16X180 8.8	
27	KG01267761	16	WASHER M16	
28	KG01069161	8	LOCK NUT M16 10	
29	KG01267361	8	WASHER M8	
30	KG01067561	2	LOCK NUT M8 8	
31	VF01142856	2	TRUSS-HEAD SCREW	
32	VF06209473	6	HEX.HEAD SCREW	
33	VF16614444	24	PIN	

RF 235 / brake axle tandem

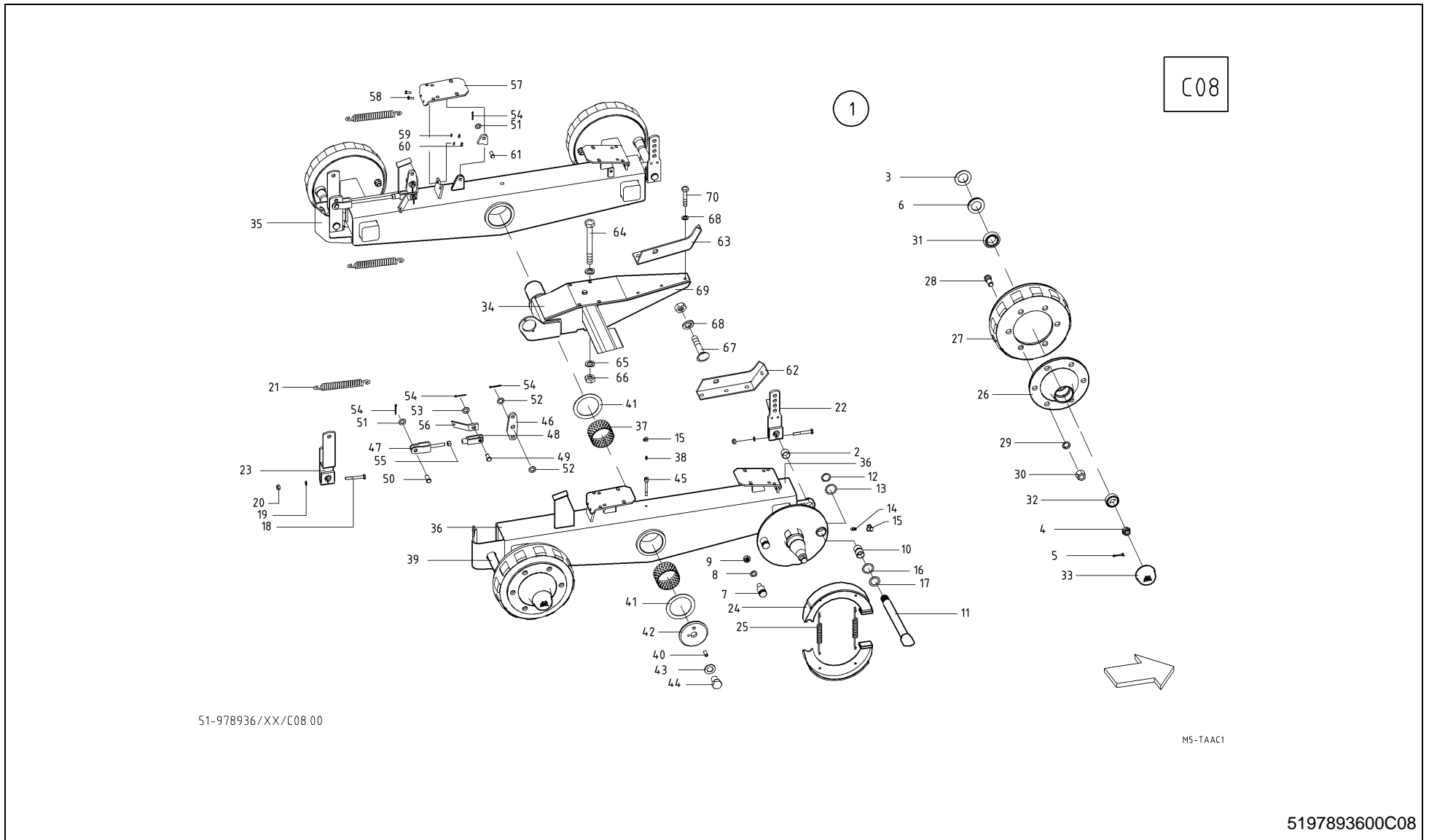




RF 235 / brake axle tandem

PosNo.	Part No.	Qty.	Description	Remark
1	VF16651541	1	TANDEM AXLE	
2	VF16602596	4	BUSH	
3	VF16618697	4	RING	
4	KG01083061	4	CASTLE NUT M27X1.5 4	
5	KG01252961	4	SPLIT PIN 5X45 ST	
6	VF16618698	4	SEAL RING	
7	VF16602599	4	THREADED PIN	
8	VF16602600	4	WASHER	
9	VF16602601	4	LOCKING NUT	
10	VF16602602	4	BUSH	
11	VF16618699	2	SHAFT	
12	VF16602604	4	CIRCLIP	
13	VF16618600	4	RING	
14	VGND98026V	4	GREASE NIPPLE	
15	VF16602606	6	PROTECTING CAP	
16	VF16602607	4	RING	
17	VF16602608	4	RING	
18	KG00355861	4	HEX. BOLT M10X70 8.8	
19	VGMT152V	8	WASHER, PLAIN 3X11X30	
20	KG01067661	4	LOCK NUT M10 8	
21	VF16602609	4	TENSION SPRING	
22	VF16618601.86	2	BRAKE LEVER	
23	VF16602611.86	2	BRAKE LEVER	
24	VF16617331	8	BRAKE SHOE	
25	VF16617332	8	TENSION SPRING	
26	VF16616075.86	4	HUB	
27	VF16617330.86	4	BRAKE DRUM	
28	VF16612402	24	WHEEL STUD	
29	VF16618602	24	SPRING WASHER	
30	VF16618603	24	FLAT-COLLAR NUT	
31	VF16618604	4	TAP.ROLLER BEARING	
32	KG01799200	4	TAPER ROLLER BEARING 32207	
33	VF16612405	4	WHEEL CAP	
34	VF16618605.86	1	CENTRE PART	
35	VF16618606.86	1	SWINGING ARM LEFT	
36	VF16618607.86	1	SWING ARM RH	
37	VF16602618	4	BUSH	
38	VF16602619	2	GREASE NIPPLE	
39	VF16618611	2	SHAFT	
40	KG01195262	2	TENSION PIN 12X30	

RF 235 / brake axle tandem

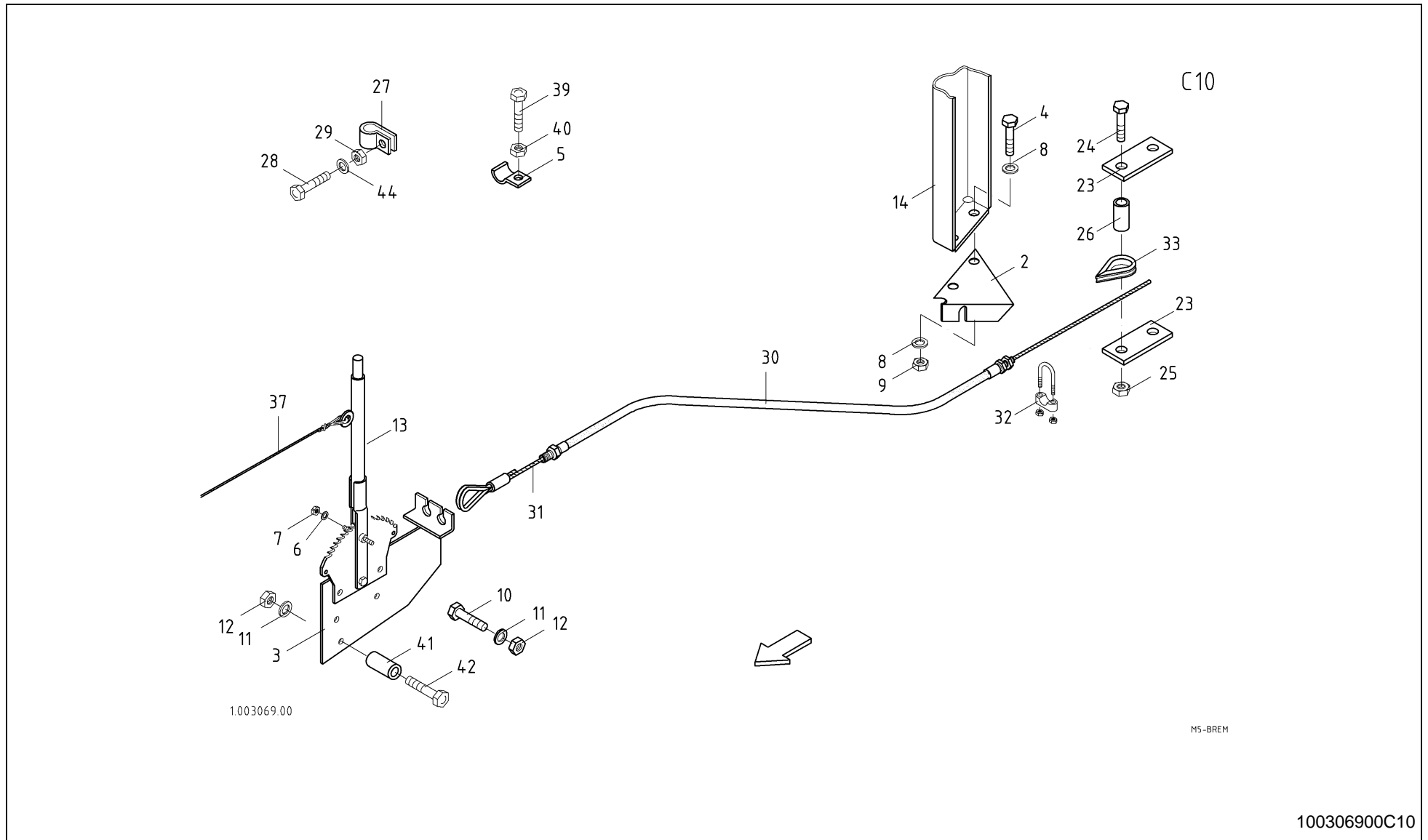




RF 235 / brake axle tandem

PosNo.	Part No.	Qty.	Description	Remark
41	VF16619351	4	STOP WASHER	
42	VF16602621.86	2	WASHER	
43	VF16602622	2	WASHER	
44	VF16618608	2	SCREW/BOLT	
45	VF16618609	2	LUBE CUP	
46	VF16618610.86	2	LEVER	
47	VF16602626	2	PULL ROD	
48	VF16612424	2	CLEVIS	
49	VF06210015	2	PIN	
50	VF16618617	2	PIN	
51	KG01267561	8	WASHER M12	
52	VF06214294	4	WASHER	
53	VF01107166	2	WASHER	
54	KG01251861	10	SPLIT PIN 4X36 ST	
55	KG01052161	2	HEX. NUT M12 8	
56	VF16602627	2	CLIP	
57	VF16602628.86	4	BASE PLATE	
58	KG00472100	8	HEX. SCREW M8X25 8.8	
59	KG01281661	8	SPRING WASHER M8	
60	KG01067561	8	LOCK NUT M8 8	
61	VF06210015	4	PIN	
62	VF16651222	1	ANGLE PLATE	
63	VF16651221	1	ANGLE PLATE	
64	KG00481961	8	HEX. SCREW M16X180 8.8	
65	KG01267761	16	WASHER M16	
66	KG01069161	8	LOCK NUT M16 10	
67	VF01142856	2	TRUSS-HEAD SCREW	
68	KG01267361	8	WASHER M8	
69	KG01067561	2	LOCK NUT M8 8	
70	VF06209473	6	HEX.HEAD SCREW	

RF 235 / brake lever air and hydr. brake

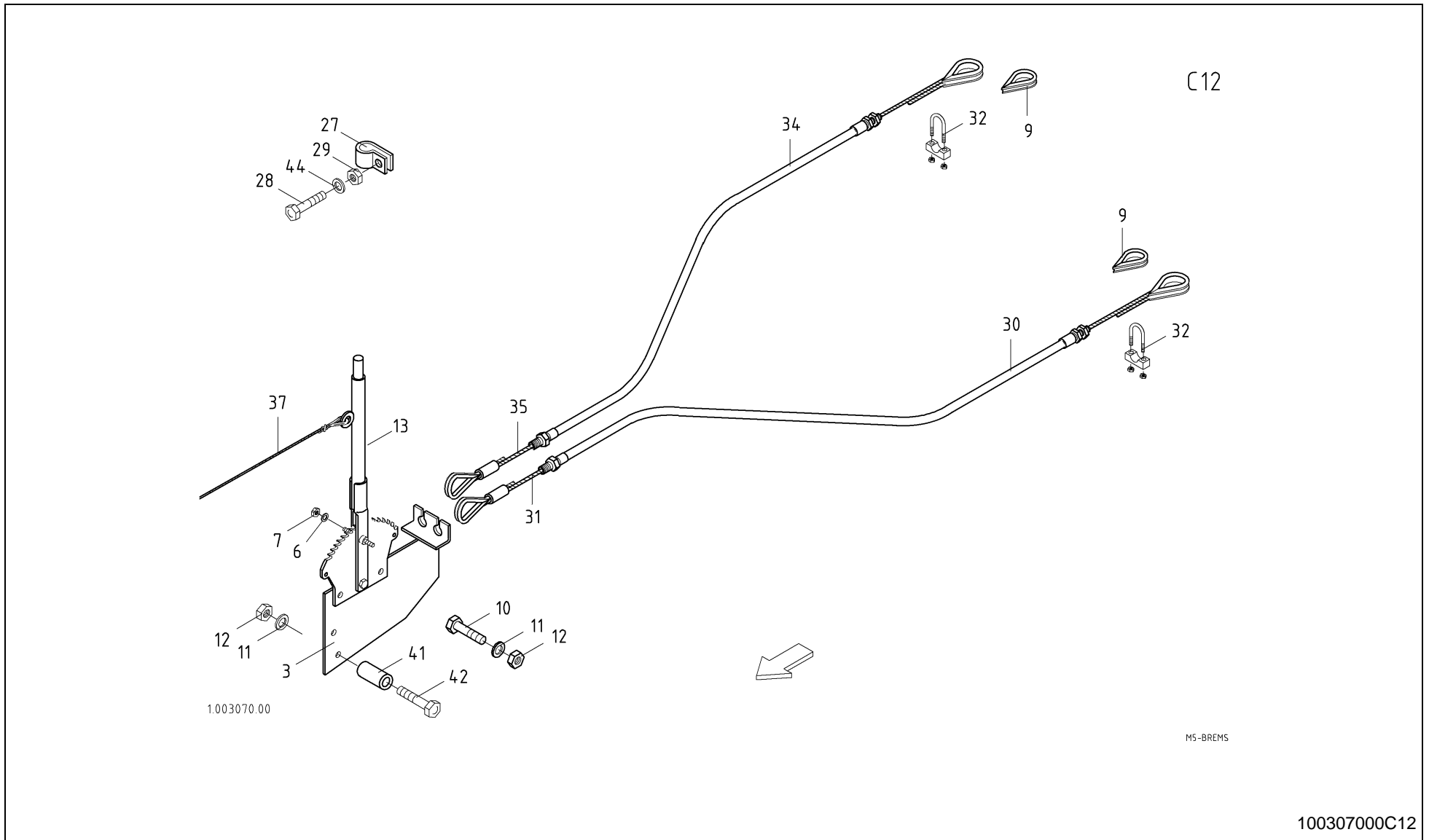




RF 235 / brake lever air and hydr. brake

PosNo.	Part No.	Qty.	Description	Remark
2	VF16615831.86	1	RETAINER	
3	VF16650129.86	1	BASE PLATE	
4	KG00472261	2	HEX. SCREW M8X30 8.8	
4	KG00354261	2	HEX. BOLT M8X100 8.8	
6	VGND3030V	1	WASHER, PLAIN	
7	KG01067561	1	LOCK NUT M8 8	
8	VF06214246	4	WASHER	
9	VF01397863	2	HEX.NUT	
10	KG00474361	8	HEX. SCREW M10X30 8.8	
11	KG01267461	16	WASHER M10	
12	KG01052061	3	HEX. NUT M10 8	
13	VF16650192	1	HAND BRAKE LEVER	
14	VF16652035.86	1	WASHER/DISC/PLATE	
23	VF16516440	2	CONNECTING PLATE	
24	KG00355461	1	HEX. BOLT M10X50 8.8	
25	KG01067661	1	LOCK NUT M10 8	
26	VF16516441.61	1	SLEEVE, SPACING	
27	VF01211882	12	PIPE CLIP	
28	KG00468961	12	HEX. SCREW M6X20 8.8	
29	KG01067361	12	LOCK NUT M6 8	
30	VF16615962	1	CABLE HOSE	
31	VF16615963	1	BRAKE CABLE	
32	VF01136686	3	CLAMPING PIECE	
33	VF01139169	1	THIMBLE	
37	VF06560636	1	PULL ROPE	
41	VF16618154	2	TUBE	
42	KG00356361	2	HEX. BOLT M10X100 8.8	
44	KG01267261	12	WASHER M6	

RF 235 / brake lever air and hydr. brake tandem



1.003070.00

M5-BREMS

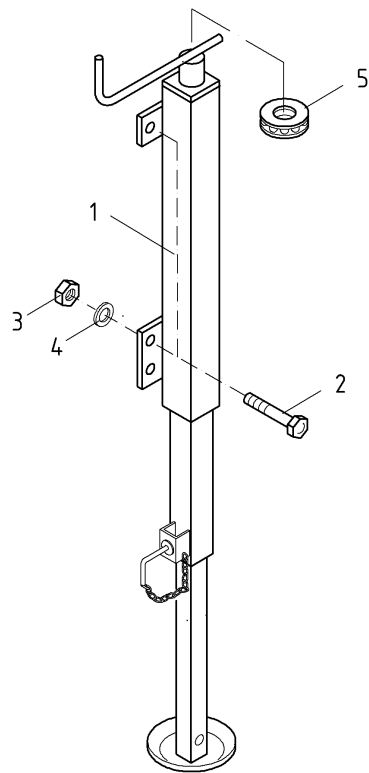
100307000C12



RF 235 / brake lever air and hydr. brake tandem

PosNo.	Part No.	Qty.	Description	Remark
3	VF16650129.86	1	BASE PLATE	
6	VGND3030V	2	WASHER, PLAIN	
7	KG01067561	6	LOCK NUT M8 8	
9	VF01139169	2	THIMBLE	
10	KG00474361	2	HEX. SCREW M10X30 8.8	
11	KG01267461	4	WASHER M10	
12	KG01052061	8	HEX. NUT M10 8	
13	VF16650192	1	HAND BRAKE LEVER	
27	VF01211882	8	PIPE CLIP	
28	KG00468961	12	HEX. SCREW M6X20 8.8	
29	KG01067361	12	LOCK NUT M6 8	
30	VF16650102	1	CABLE HOSE	
31	VF16650104	1	BRAKE CABLE	
32	VF01136686	6	CLAMPING PIECE	
33	VF01139169	2	THIMBLE	
34	VF16650103	1	CABLE HOSE	
35	VF16650105	1	BRAKE CABLE	
37	VF06560636	1	PULL ROPE	
41	VF16618154	2	TUBE	
42	KG00356361	2	HEX. BOLT M10X100 8.8	
44	KG01267261	12	WASHER M6	

C14A



1.003075.00

MS-STFU

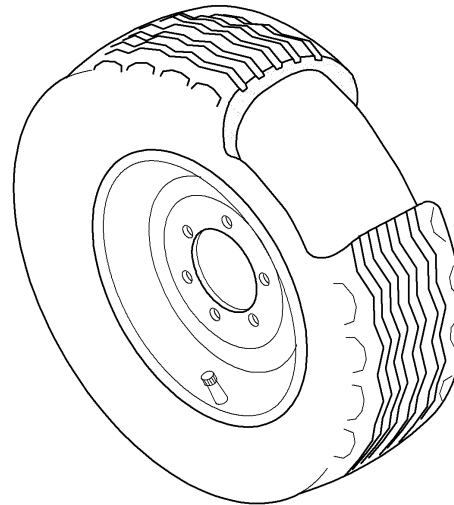
100307500C14A

RF 235 / support adjustable



PosNo.	Part No.	Qty.	Description	Remark
1	VF16651845.86	1	PARKING SUPPORT	
2	KG00474461	6	HEX. SCREW M10X35 8.8	
3	KG01068861	6	LOCK NUT M10 10	
4	KG01267461	6	WASHER M10	
5	KG01501100	1	THRUST BALL BEARING 51104	

C15



60-454-06/XX/C15.00

M5-REIF

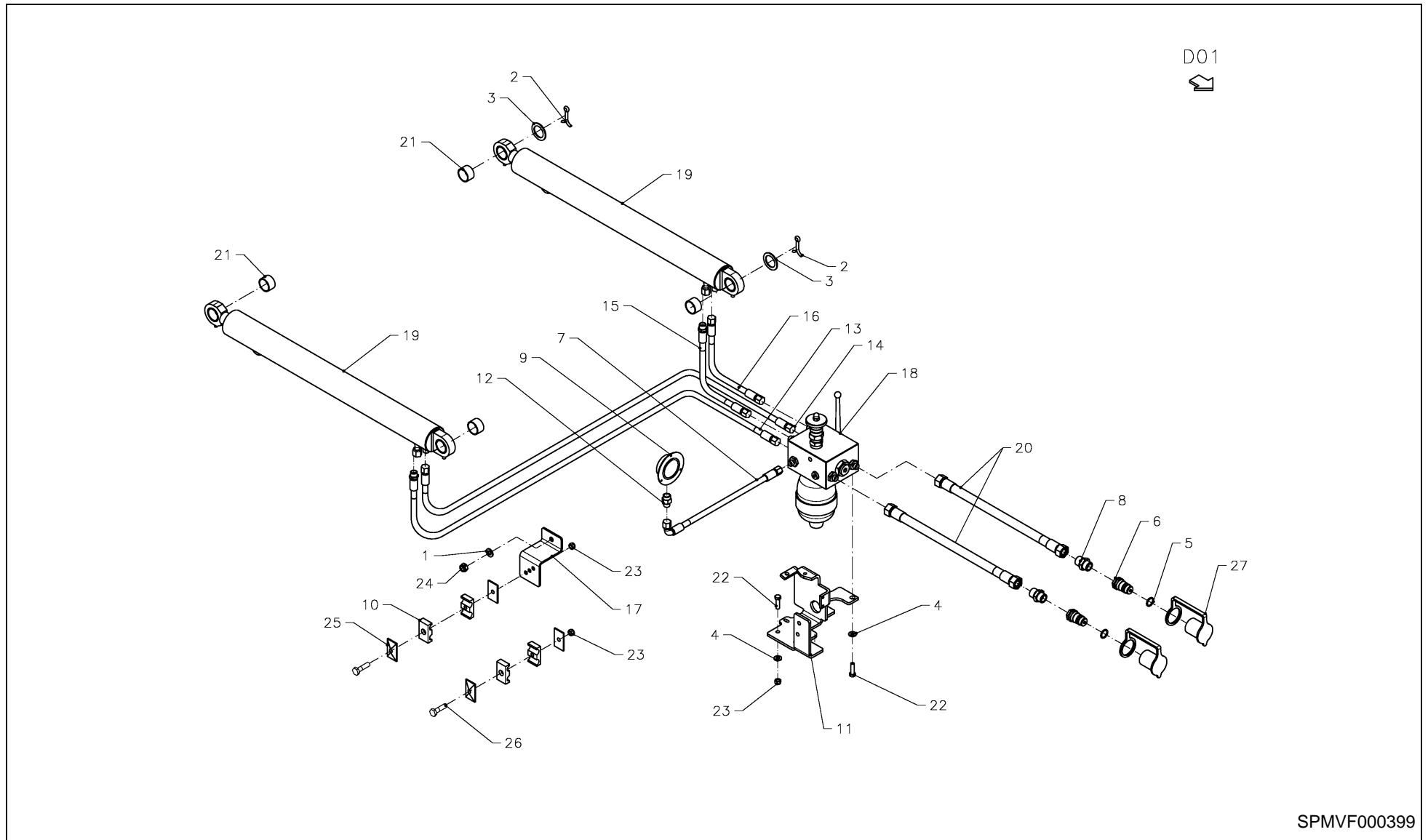
604540600C15



RF 235 / outer cover

PosNo.	Part No.	Qty.	Description	Remark
1	VF16650050		WHEEL 15,0/55-17 10PR AW FARMER ET+45	TA-axle
1.1	VG38722004		TYRE 15.0/55-17 10PR	TA-axle
1.2	VF16650214		RIM 13X17 TA-AXLE	TA-axle
1.3	VG38723002		AIR CHAMBER	TA-axle
3	VF16650060		WHEEL 19,0/45-17 10PR AW FARMER ET 0	TA-axle
3.1	VF01142334		TYRE 19,0/45-17IMP 10PR	TA-axle
3.2	VF16650215		RIM 16,0X17 ETO	TA-axle
3.3	VF01142668		HOSE 19,0/45-17 TR15	TA-axle
4	VF16650070		WHEEL 500/50-17 10PR AW FARMER ET 0	TA-axle
4.1	VF01397606		TYRE 500/50-17 10PR	TA-axle
4.2	VF16650215		RIM 16,0X17 ETO	TA-axle
4.3	VF01142668		HOSE 19,0/45-17 TR15	TA-axle
6	VGND97026		WHEEL, CPL.	Single Axle
6.1	VG38722004		TYRE 15.0/55-17 10PR	Single Axle
6.2	VGND97027		RIM 13.00X17	Single Axle
6.3	VG38723002		AIR CHAMBER	Single Axle
7	VF16615268		WHEEL 19.0/45-17 AW 10 PR	
7.1	VF01142334		TYRE 19,0/45-17IMP 10PR	
7.2	VF16616018		RIM 16,00X17 ET-70	
7.3	VF01142668		HOSE 19,0/45-17 TR15	
8	VF16615267		WHEEL 500/50-17 AW 10 PR	
8.1	VF01397606		TYRE 500/50-17 10PR	
8.2	VF16616018		RIM 16,00X17 ET-70	
8.3	VF01142668		HOSE 19,0/45-17 TR15	
9	VF16653528		TYRE 600/40-22.5 LEFT	
10	VF16653529		TYRE 600/40-22.5 RIGHT	
10.1	VF16654306		RIM 20.00X22.5 ET-145 / 6-HOLES	
10.2	UH415903		TYRE 600/40 22,5 8 PLY LUGGED	
11	VF16654347		TYRE 500/45-22.5 ET-70 / T404 LEFT	
11	VF16654346		TYRE 500/45-22.5 ET-70 / T404 RIGHT	
11.1	VF16654348		RIM 16.00X22,5 ET-70 / 6 HOLES	
11.2	VF16654349		TYRE 500/45-22.5 T404	
12	VF16655409		WHEEL 400/60-22.5 LEFT	
12	VF16655410		WHEEL 400/60-22.5 ET-40 RIGHT	

RF 235 / hydraulic system for rear cover



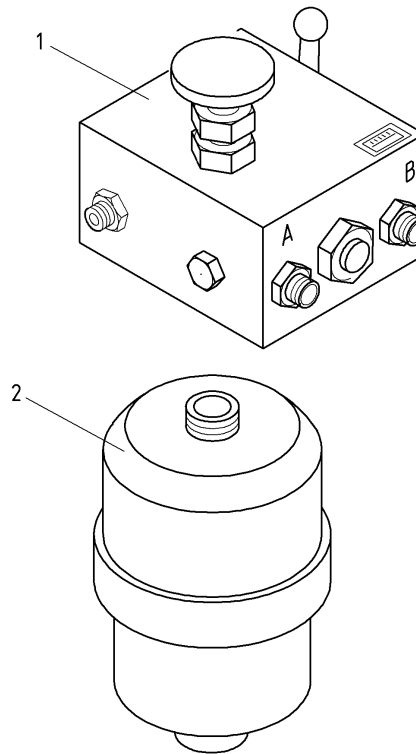
SPMVF000399



RF 235 / hydraulic system for rear cover

PosNo.	Part No.	Qty.	Description	Remark
1	KG01267461	2	WASHER M10	
2	KG01253861	4	SPLIT PIN 6.3X45 ST	
3	VF06214234	4	WASHER	
4	VF06214246	5	WASHER	
5	VGND6230	2	O-RING	
6	VGND92031V	2	PLUG, QUICK-DISCONN.	
7	VF16607410	1	HYDR. HOSE	
8	VF16610791	2	SCREW-IN NIPPLE	
9	VRR0305901	1	PRESSURE GAUGE	
10	VF16650133	8	PIPE CLIP	
11	VF16653045.86	1	SUPPORT	
12	VF16653142	1	PRESS.GAUGE CONNECT.	
13	VF16653185	1	HYDR.HOSE	
14	VF16653186	1	HYDR.HOSE	
15	VF16653195	1	HYDR.HOSE	
16	VF16653196	1	HYDR.HOSE	
17	VF16653666.86	2	SUPPORT	
18	VF16653690	1	HYDRAULIC LIFT UNIT	
19	VF16654001.86	2	HYDRAULIC CYLINDER	
20	VF16654333	2	HYDR.HOSE	
21	VF16654742	4	FRICTION BEARING	
22	KG00472261	5	HEX. SCREW M8X30 8.8	
23	KG01067561	6	LOCK NUT M8 8	
24	KG01067661	2	LOCK NUT M10 8	
25	VGND92009B	4	SHIELD	
26	06209185	8	HEXAGON BOLT	
27	06571341	2	DUST GUARD BUSH	

D02A



1.003074.00

M5-HYBL1

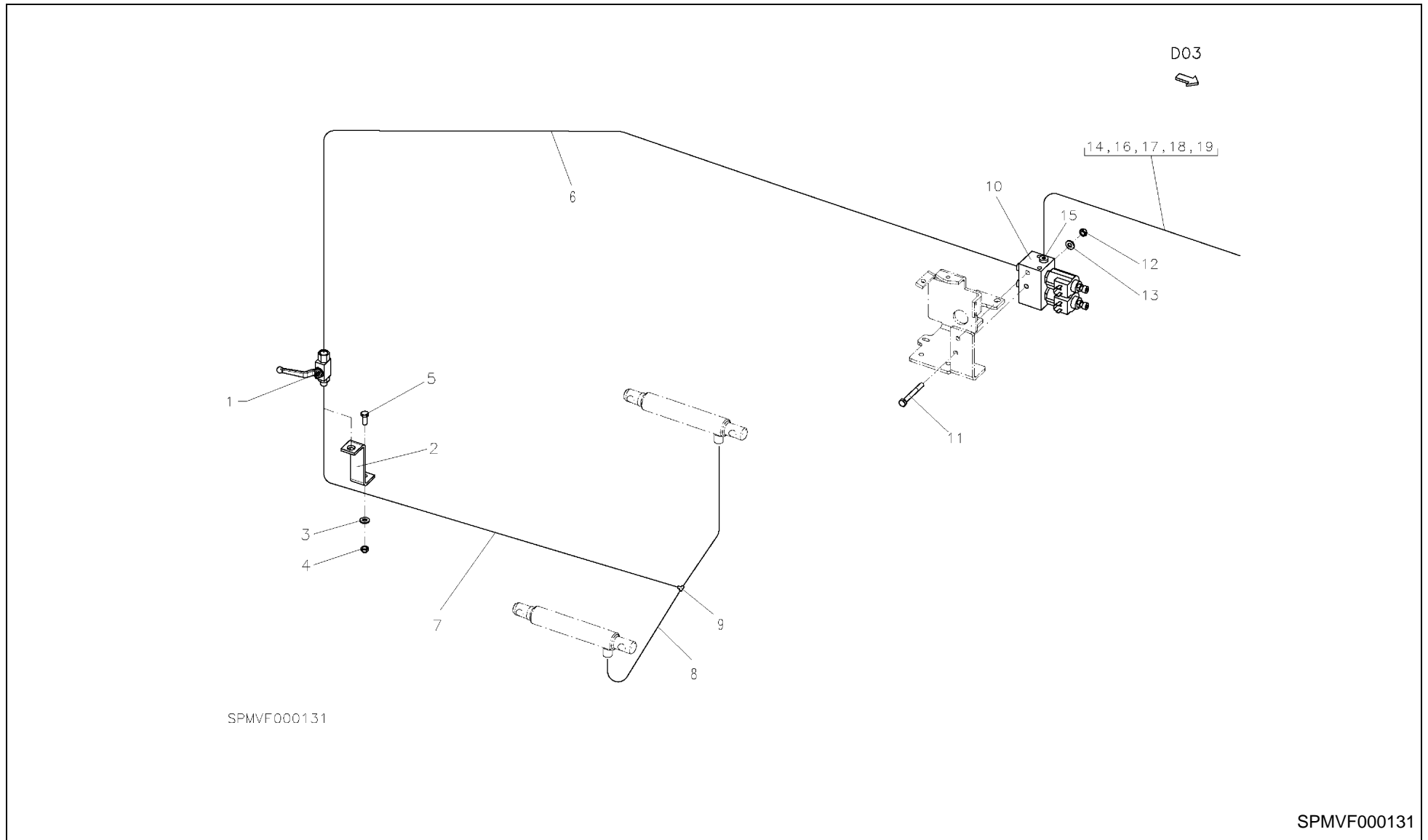
100307400D02A



RF 235 / hydraulic lift unit

PosNo.	Part No.	Qty.	Description	Remark
1	VF16653690	1	HYDRAULUIC LIFT UNIT	Fa. Hydac
1	VF16655067	1	REPAIR SET	
2	VF16655069	1	ACCUMULATOR 120 BAR	
2	VF16616950	1	MEMBRANE RESERVOIR 70BAR 0.32L	OPTION
2	VF16655917	1	ACCUMULATOR 100BAR	OPTION
2	VF16653689	1	ACCUMULATOR 140BAR 0,32L	OPTION

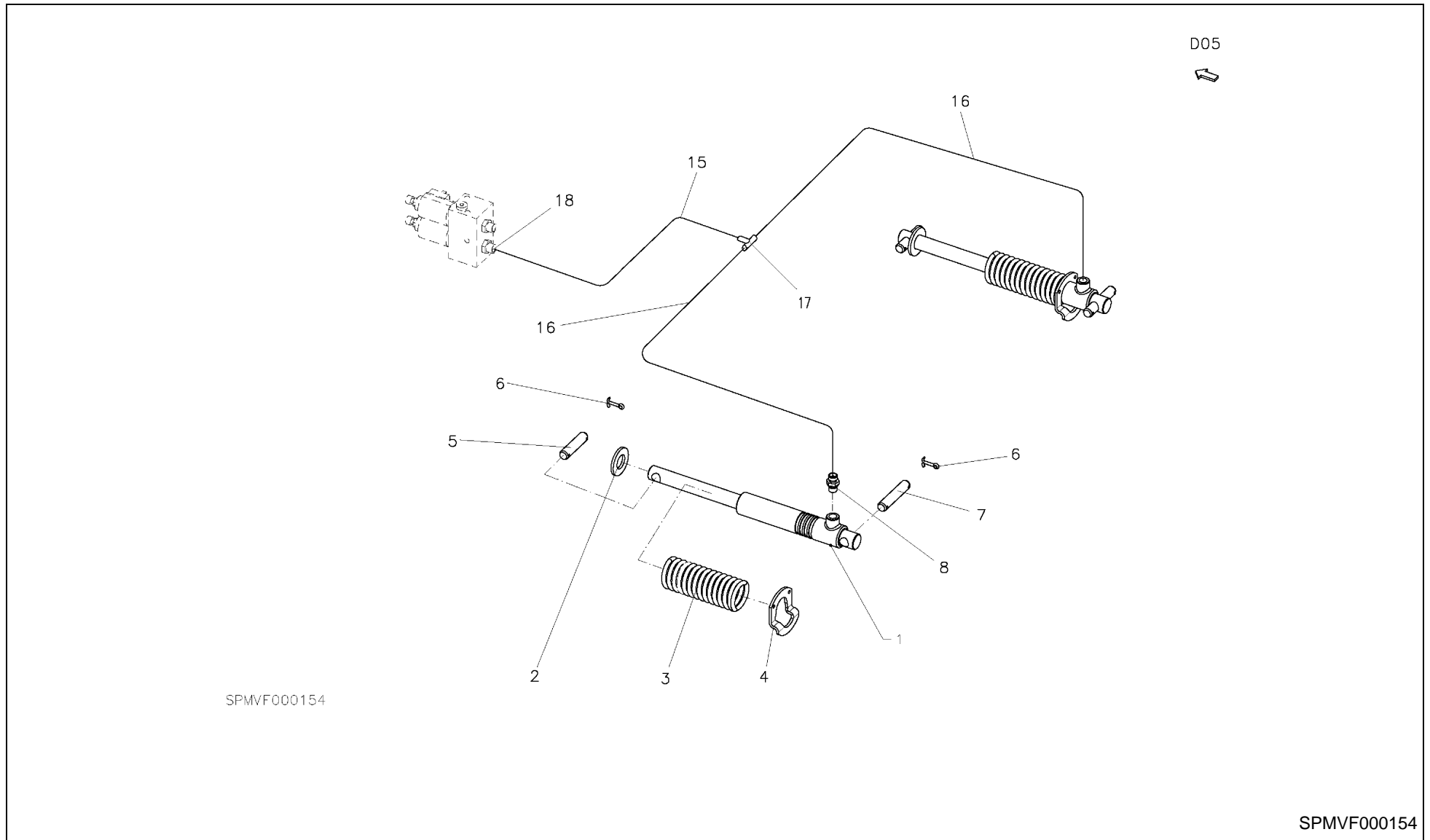
RF 235 / hydraulic system cutting device





RF 235 / hydraulic system cutting device

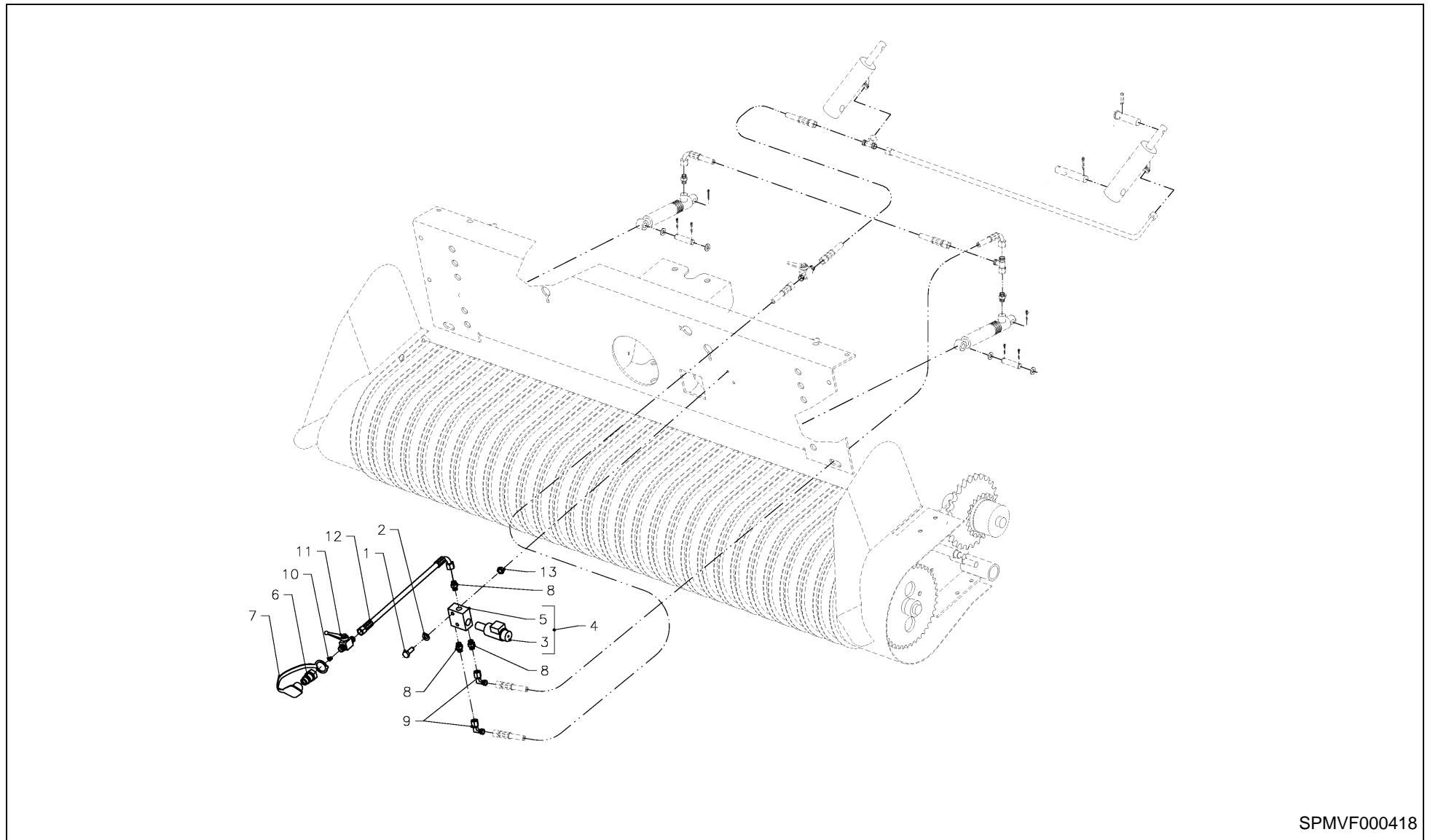
PosNo.	Part No.	Qty.	Description	Remark
1	VF16607782	1	ROOSTER	
2	VF16653143.86	1	ANGLE	
3	VF06214246	1	WASHER	
4	KG01067561	1	LOCK NUT M8 8	
5	KG00471961	1	HEX. SCREW M8X20 8.8	
6	VF16651376	1	HYDR. HOSE	
7	VF16615731	1	HYDR. HOSE	
8	VF16615878	1	HYDR.PIPE	
9	VF01173543	1	SOCKET/ADAPTER	
10	VF16514411	1	VALVE BLOCK	
10	VF16515024		VALVE	
10	VF16515023		COIL	
11	KG00353861	1	HEX. BOLT M8X70 8.8	
12	KG01067561	1	LOCK NUT M8 8	
13	VF06214246	1	WASHER	
14	VF16615442	1	HYDR. HOSE	
15	VF01116679	1	ERMETO NIPPLE	
16	VF06571318	1	UNION	
17	VGND92031V	1	PLUG, QUICK-DISCONN.	
18	VGND9607	1	COVER, DUST	
19	VGND6230	1	O-RING	



RF 235 / hydr.device PU



PosNo.	Part No.	Qty.	Description	Remark
1	VF16652343	2	HYDRAULIC CYLINDER	
2	VF06214411	2	WASHER	
3	VF06215425	2	COMPRESSION SPRING	
4	VF16618323	2	CLIP	
5	VF16652834	2	PIN	
6	KG01251561	8	SPLIT PIN 4X25 ST	
7	VF06576501	2	PIN	
15	VF06589025	1	HYDR.HOSE	
16	VF16600374	2	HYDR.HOSE	
17	VGND92043V	1	T-COUPLING	
18	VF06581181	1	SCREEN	



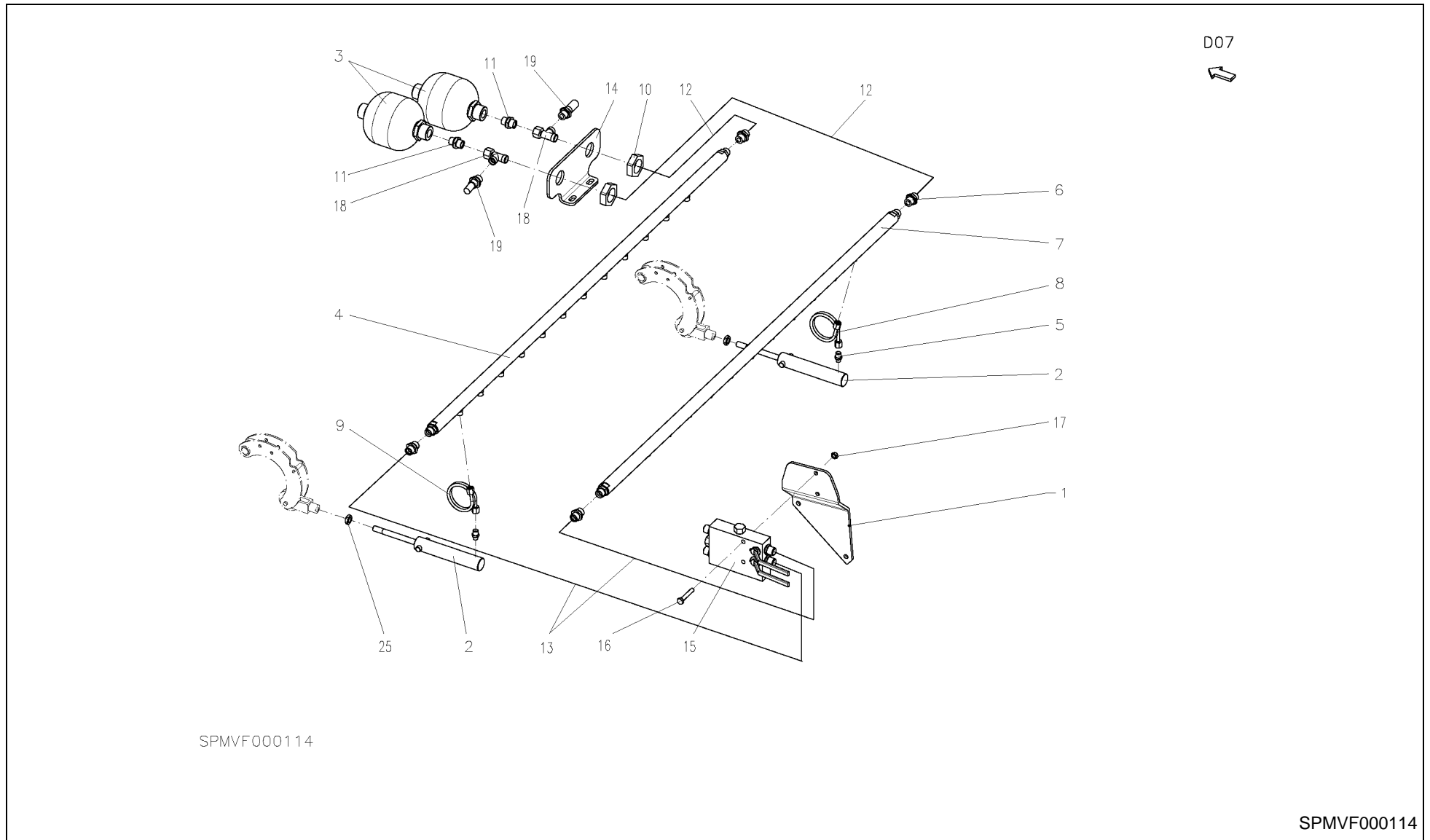
SPMVF000418

RF 235 / HYDRAULIC PU AUTOPLUS



PosNo.	Part No.	Qty.	Description	Remark
1	VGND1472V	2	BOLT, TAPTITE	
2	VGND3122V	2	WASHER, PLAIN	
3	VGND92129	1	SELECTOR VALVE	
4	VGND92130	1	CONTROL ASSY, SOLENOID	
5	VGND92159	1	HD-BLOK	
6	VGTP00512	1	PLUG ASSY, QUICK-DISCONN.	
7	VGND9607	1	COVER, DUST	
8	VGND9869V	7	STUD COUPLING, MALE	
9	VGND9906V	2	ELBOW COUPLING, ADJUSTABLE	
10	VGTP438	1	THROTTLE 0.8MM	
11	VGWA00659	1	VALVE ASSY, SHUT-OFF	
12	VGYD64	1	HOSE, HP	
13	KG01068761	1	LOCK NUT M8 10	

RF 235 / hydraulic device for OC 23

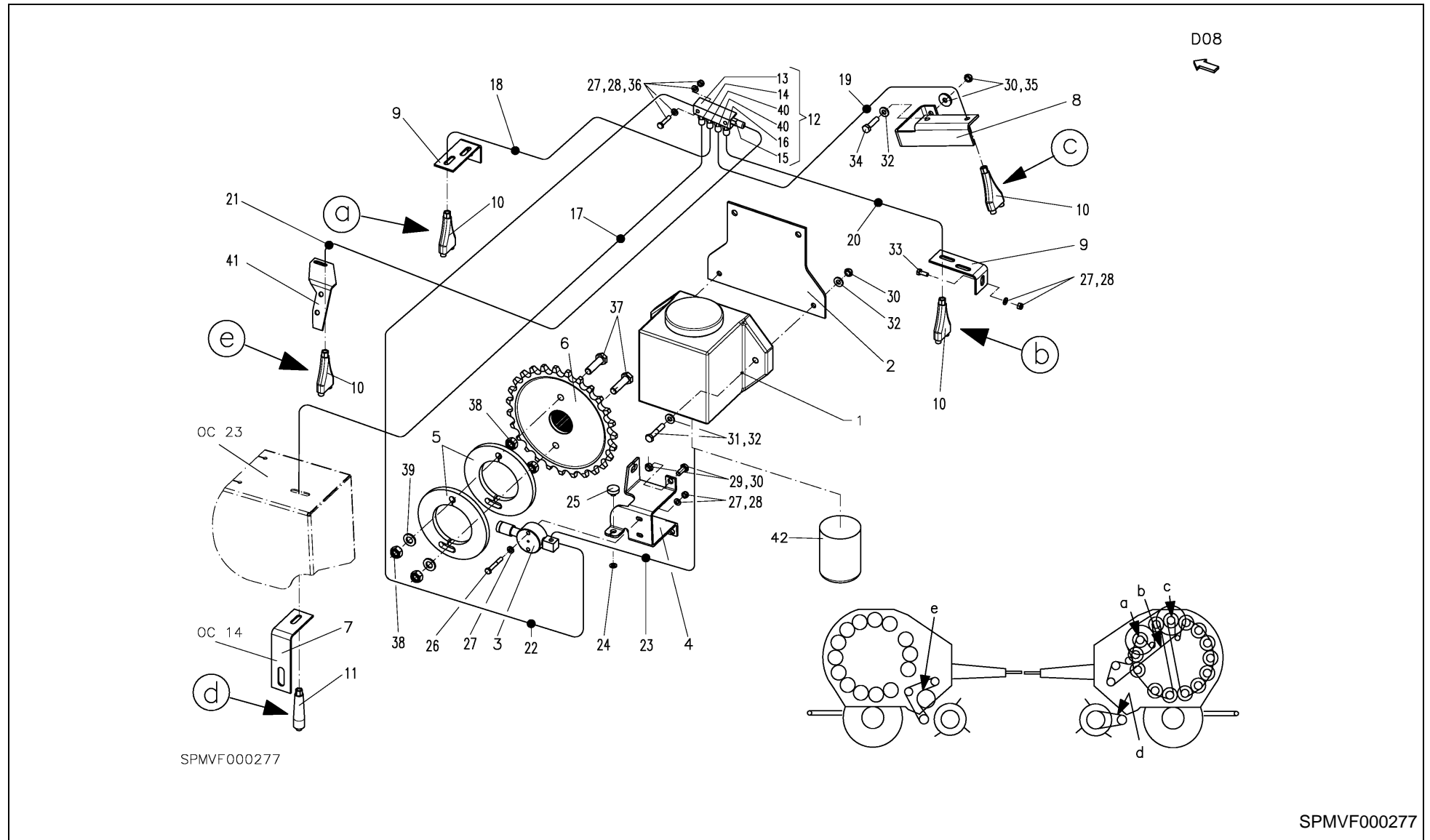




RF 235 / hydraulic device for OC 23

PosNo.	Part No.	Qty.	Description	Remark
1	VF16653036.86	1	SUPPORT	
2	VF16651207	23	HYDR.RAM	
2	VF16618616		SEALING SET	X N2
3	VF16651114	2	ACCUMULATOR	
4	VF16651329	1	PIPE	
5	VF01116677	23	ERMETO NIPPLE	
6	VF16651106	4	PIPE CONNECTION	
7	VF16651327	1	PIPE	
8	VF16651186	11	TUBE	
9	VF16651188	12	TUBE	
10	VF06209595	2	HEX.NUT	
11	VF16651185	2	PIPE CONNECTION	
12	VF16651183	2	HOSE	
13	VF16651184	2	HOSE	
14	VF16651337.86	1	GRANARY SUPPORT	
15	VF16651638	1	BALL-TYPE VALVE	
16	KG00353461	2	HEX. BOLT M8X50 8.8	
17	KG01067561	2	LOCK NUT M8 8	
18	VF16618209	2	THREADED UNION	
19	VF16655099	2	MEÄ#ANSCHL.VKA 3/12-L	
25	VF01137252	23	HEXNUT	

RF 235 / lube system for chain

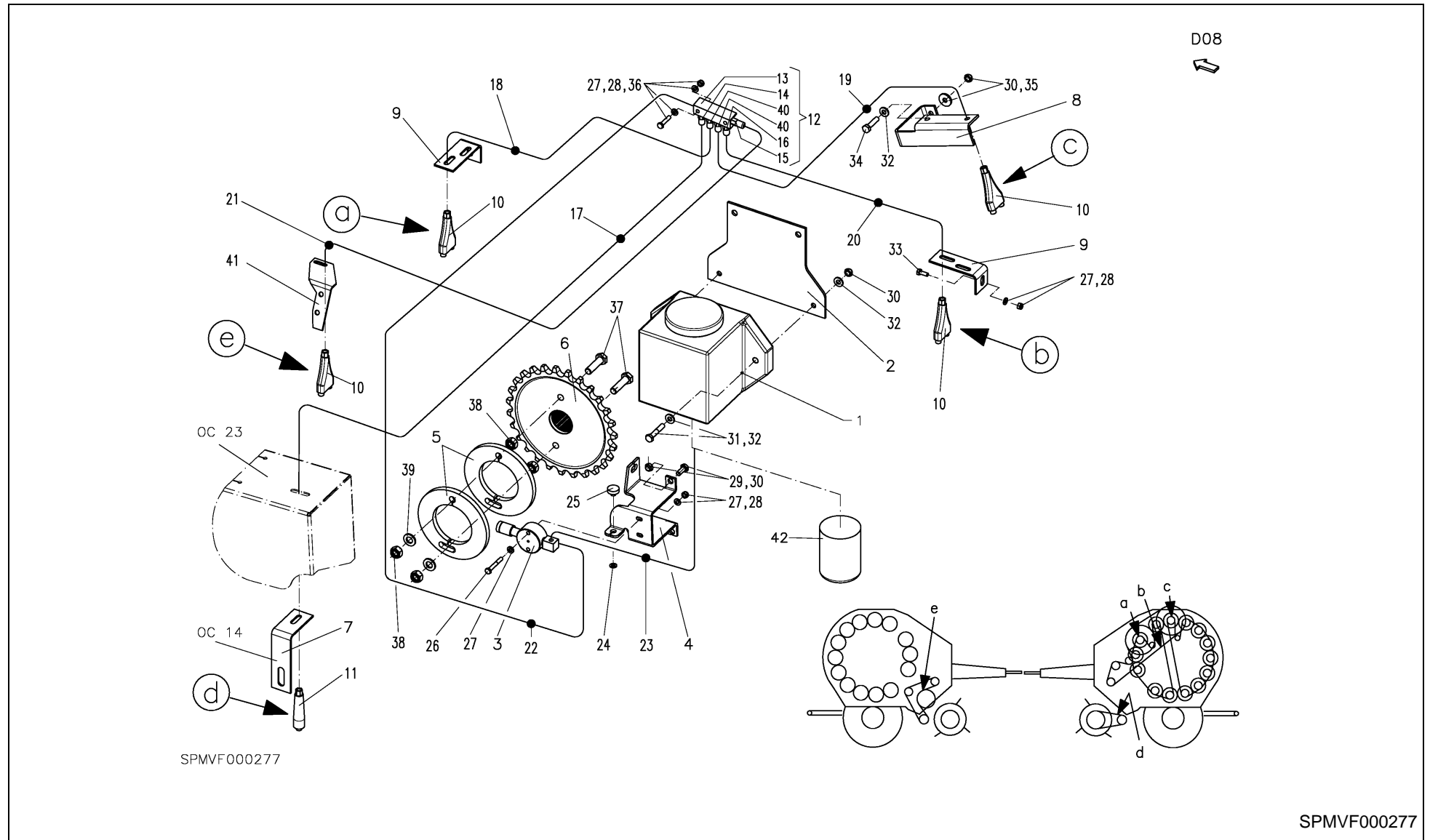




RF 235 / lube system for chain

PosNo.	Part No.	Qty.	Description	Remark
1	VF16653574	1	CHAINOILER PRE-ASSEMBLY	
2	VF16653412.86	1	PLATE	
3	VF16652733	1	PUMP	
4	VF16653544.86	1	SUPPORT	
5	VF16653554.86	2	WASHER	
6	VF16654525.86	1	CHAIN SPROCKET	
7	VF16653422.86	2	FIXING ANGLE	
8	VF16653420.86	1	VALVE	
9	VF16653421.86	1	FIXING ANGLE	
10	VF16653555	4	BRUSH	
11	VF16653556	1	BRUSH	
12	VF16653557	1	DIVIDER	
13	VF16653561	1	HOUSING	
14	VF16653558	1	INJECTION NOZZLE 2,3	
15	VF16653559	1	INJECTION NOZZLE 2,4	
16	VF16655706	1	INJECTION NOZZLE 2,7	
17	VF16653927	1	HOSE	
18	VF16653928	1	HOSE	
19	VF16653926	1	HOSE	
20	VF16653924	1	HOSE	
21	VF16653925	1	HOSE	
22	VF16653922	1	HOSE	
23	VF16653923	1	HOSE	
24	VF16653920	1	LOCKING WASHER	
25	VF16653921	1	WASHER	
26	KG00351161	2	SCREW M6X45 CL.8.8 ZN NFE 27311 DIN 931	
27	KG01267261	5	WASHER M6	
28	KG01067361	3	LOCK NUT M6 8	
29	KG00471761	2	HEX. SCREW M8X16 8.8	
30	KG01067561	4	LOCK NUT M8 8	
31	KG00472561	2	HEX. SCREW M8X45 8.8	
32	VF06214246	4	WASHER	
33	KG00468761	1	HEX. SCREW M6X16 8.8	
34	KG00353161	1	HEX. BOLT M8X35 8.8	
35	VGND3030V	1	WASHER, PLAIN	
36	KG00350961	2	HEX. BOLT M6X35 8.8	
37	KG00477061	2	HEX. SCREW M12X55 8.8	
38	KG01068961	4	LOCK NUT M12 10	
39	KG01267561	2	WASHER M12	
40	VF16655707	2	INJECTION NOZZLE 2,8	

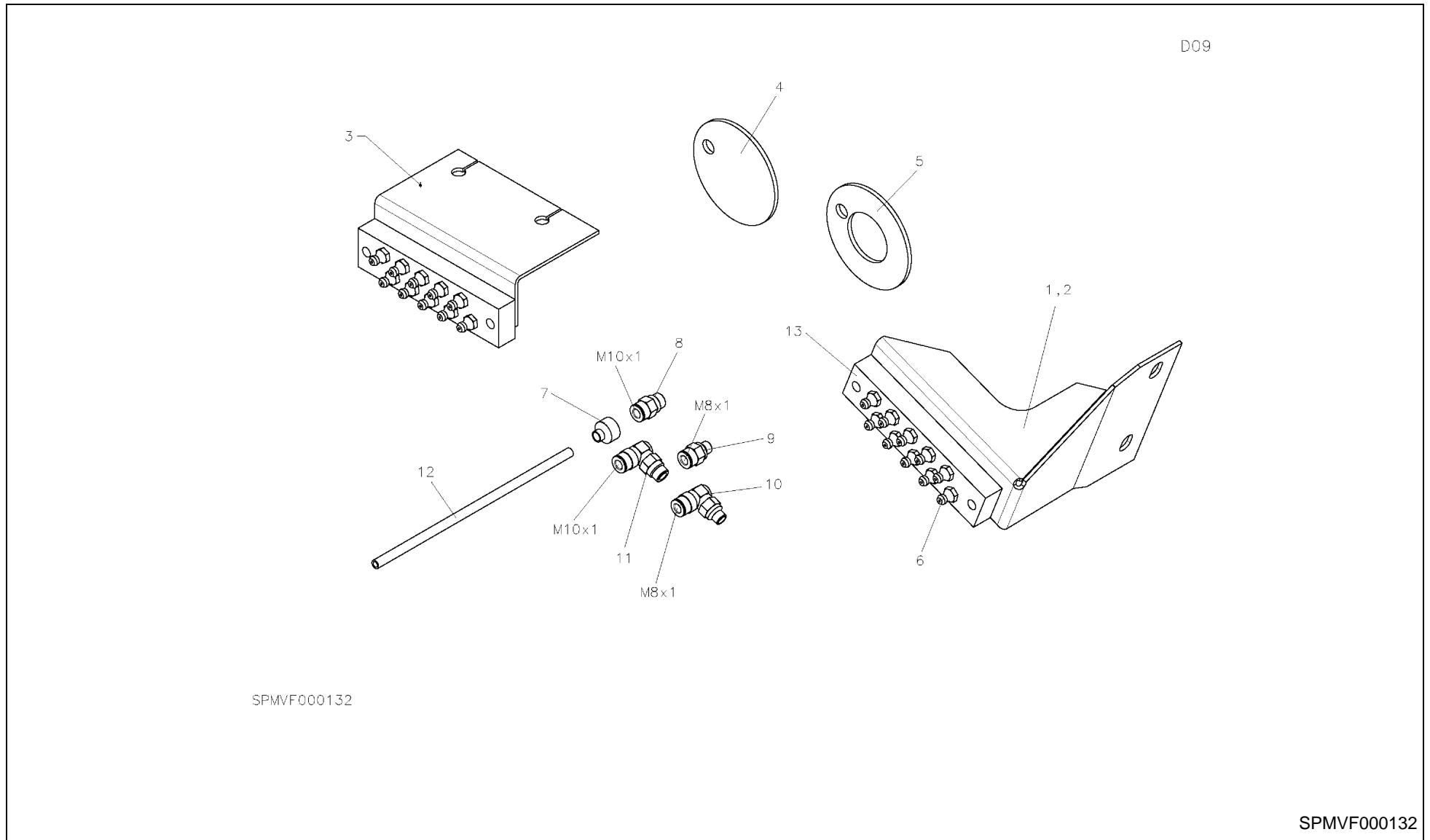
RF 235 / lube system for chain





RF 235 / lube system for chain

PosNo.	Part No.	Qty.	Description	Remark
41	VF16654688.86	1	PLATE	
42	VF16657088	1	OIL FILTER	

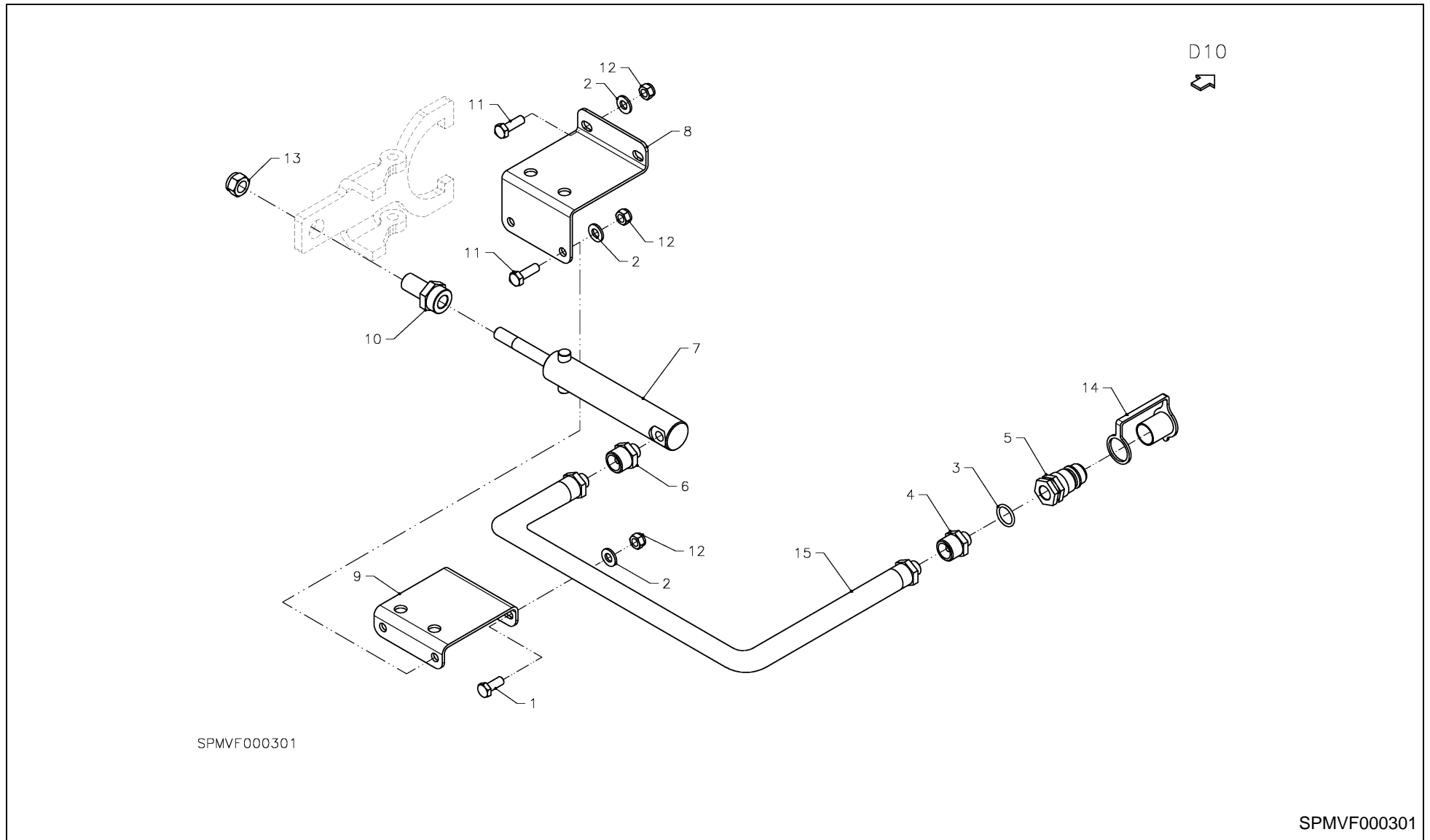




RF 235 / lube system

PosNo.	Part No.	Qty.	Description	Remark
1	VF16654672	1	SUPPORT	
2	VF16654673	1	SUPPORT	
3	VF16655469	1	SUPPORT	
4	VF16653953	1	WASHER	
5	VF16653954	1	WASHER	
6	VF01120693	1	GREASE NIPPLE	
7	VF16654633	1	PROTECTION CLOAK	
8	VF16654631	1	EINSCHRAUBVERSCHR. M10X1 / THREADED UNIO	
9	VGND92174	1	STUD COUPLING, MALE	
10	VGND92177	1	ELBOW COUPLING	
11	VF16654630	1	RETAINER LEFT	
12	VF16655425	1	TUBE	
13	VF16654644	1	BAR	

RF 235 / hy. coupling for toothed roller

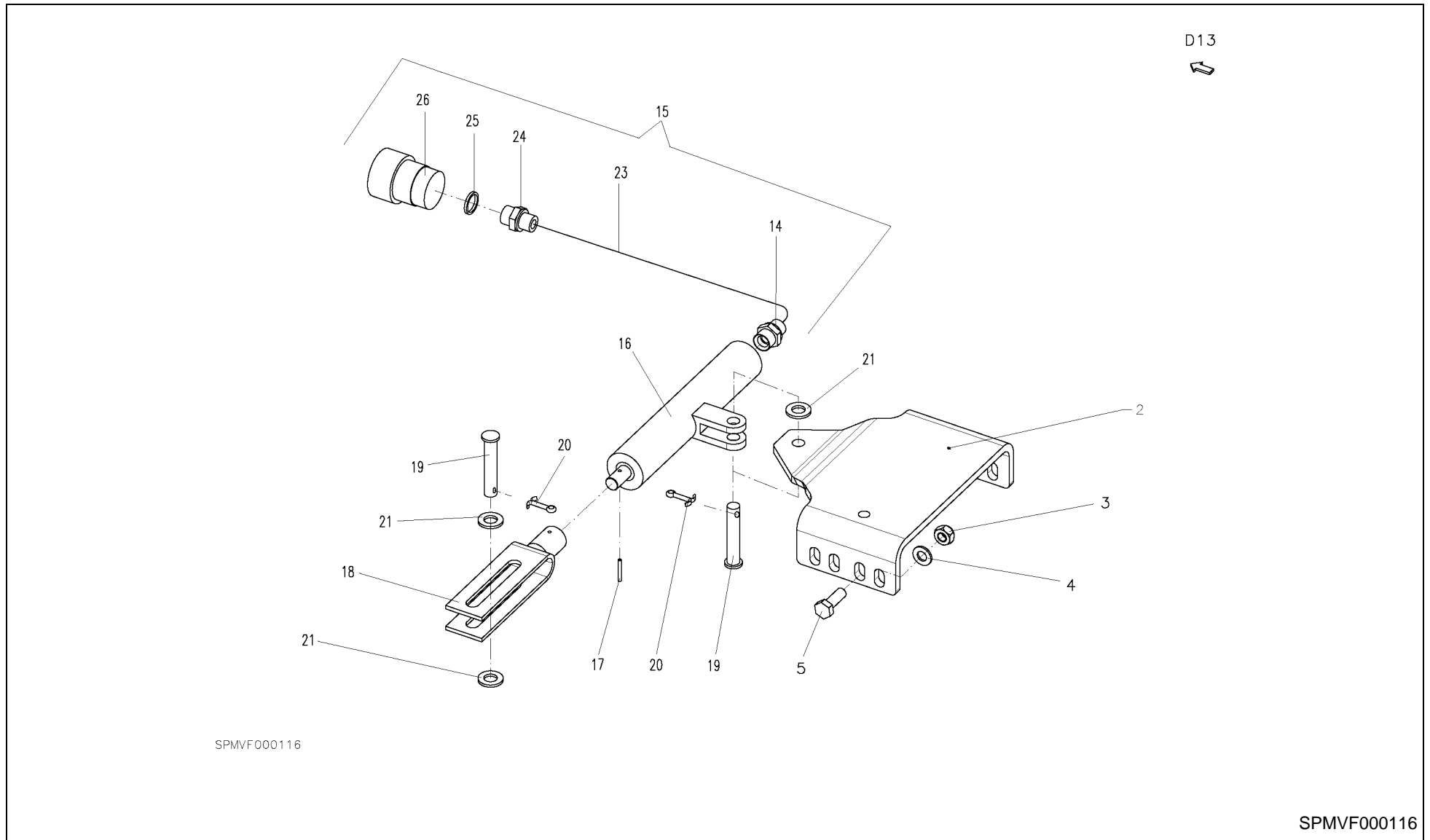




RF 235 / hy. coupling for toothed roller

PosNo.	Part No.	Qty.	Description	Remark
1	VF01173381	2	HEX.HEAD SCREW	
2	VF06214246	6	WASHER	
3	VGND6230	1	O-RING	
4	VF06571318	1	UNION	
5	VGND92031V	1	PLUG, QUICK-DISCONN.	
6	VF16654714	1	EINSCHRAUBSTUTZEN	
7	VF16655977	1	HYDRAULIC CYLINDER	
8	VF16656975	1	BEARING	
9	VF16656976	1	BEARING	
10	VF16656994	1	BUSHING	
11	KG00472161	4	HEX. SCREW M8X25 8.8	
12	KG01067561	6	LOCK NUT M8 8	
13	KG01068961	1	LOCK NUT M12 10	
14	VGND9607	1	COVER, DUST	
15	VF16654728	1	HYDR. HOSE	

RF 235 / hydraulic brake single axle

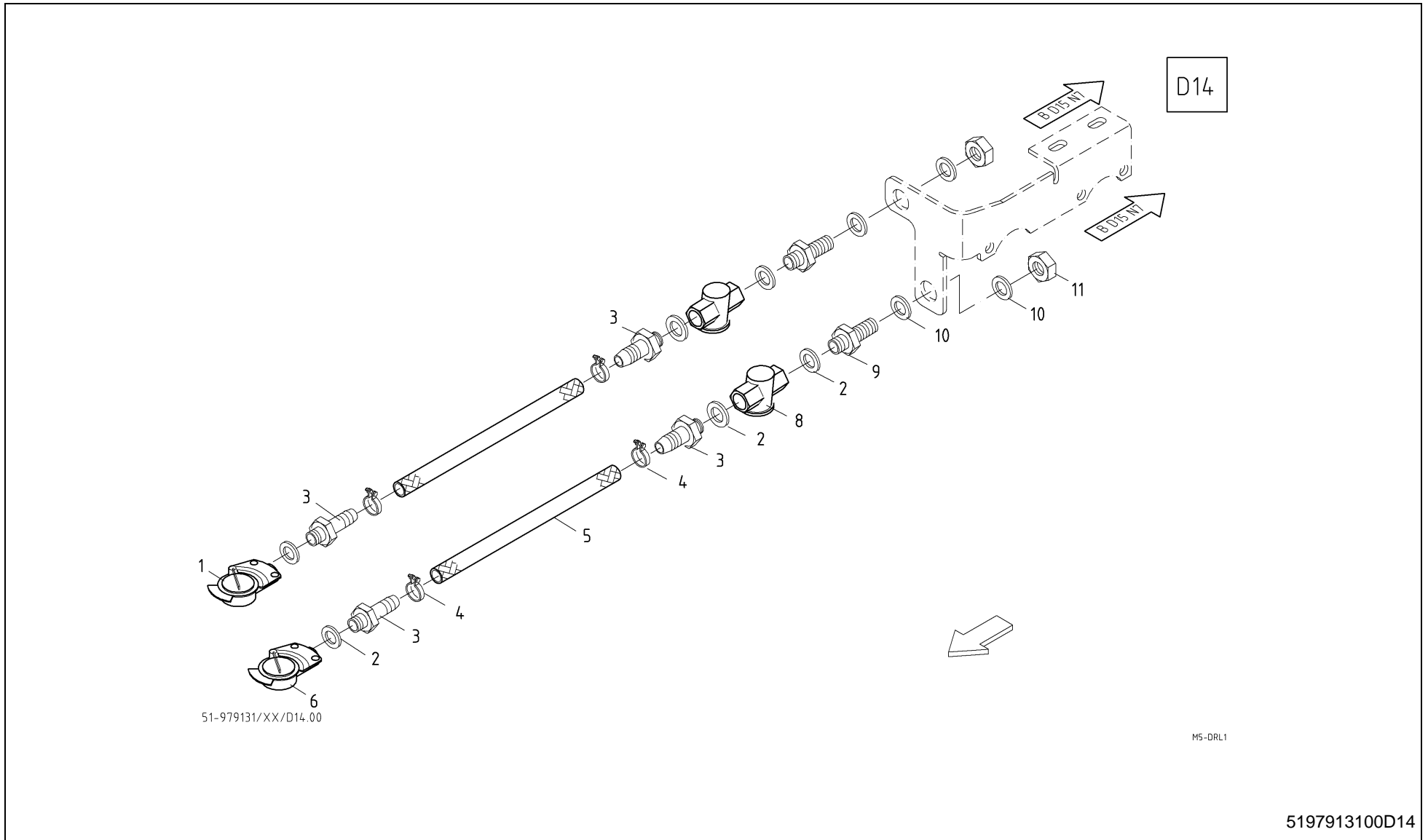




RF 235 / hydraulic brake single axle

PosNo.	Part No.	Qty.	Description	Remark
2	VF16653088.86	1	SUPPORT	
3	KG01067661	4	LOCK NUT M10 8	
4	KG01267461	4	WASHER M10	
5	KG00474361	4	HEX. SCREW M10X30 8.8	
14	VF16615961	1	THREADED UNION	
15	VF16652034	1	HYDR. HOSE	
16	VF16653094	1	CYLINDER	
17	KG01184962	1	TENSION PIN 3X24	
18	VF16513900.86	1	CLEVIS	
19	VF06210017	2	PIN	
20	KG01251561	2	SPLIT PIN 4X25 ST	
21	KG01267561	3	WASHER M12	
23	VF16652033	1	HYDR. HOSE	
24	VF01116682	1	ERMETO NIPPLE	
25	VGND3156	1	PACKING RING 1.5X18X22	
26	VF16613256	1	HYDR.PIPE	

RF 235 / air brake single axle

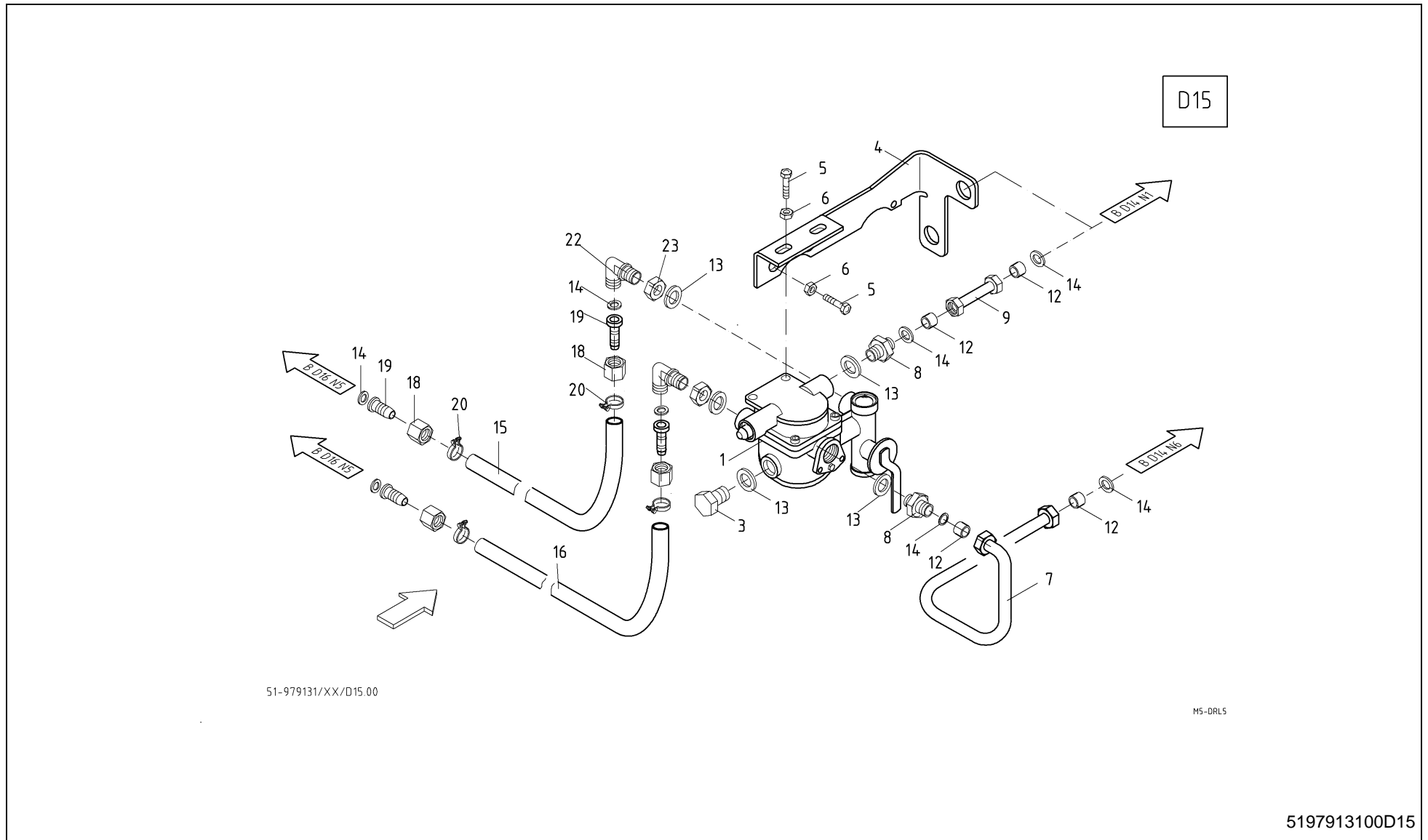




RF 235 / air brake single axle

PosNo.	Part No.	Qty.	Description	Remark
1	VF16650191	1	CLUTCH BUTTON	
2	VF01118736	4	GASKET	
3	VF06216771	4	SOCKET/ADAPTER	
4	VF06216772	4	PIPE CLIP	
5	VF16618830	2	BRAKE TUBE	
6	VF16650190	1	CLUTCH BUTTON	
8	VF06558801	2	FILTER	
9	VF06216763	2	TWIN NIPPLE	
10	VF06214306	4	WASHER	
11	VF01137633	2	NUT	

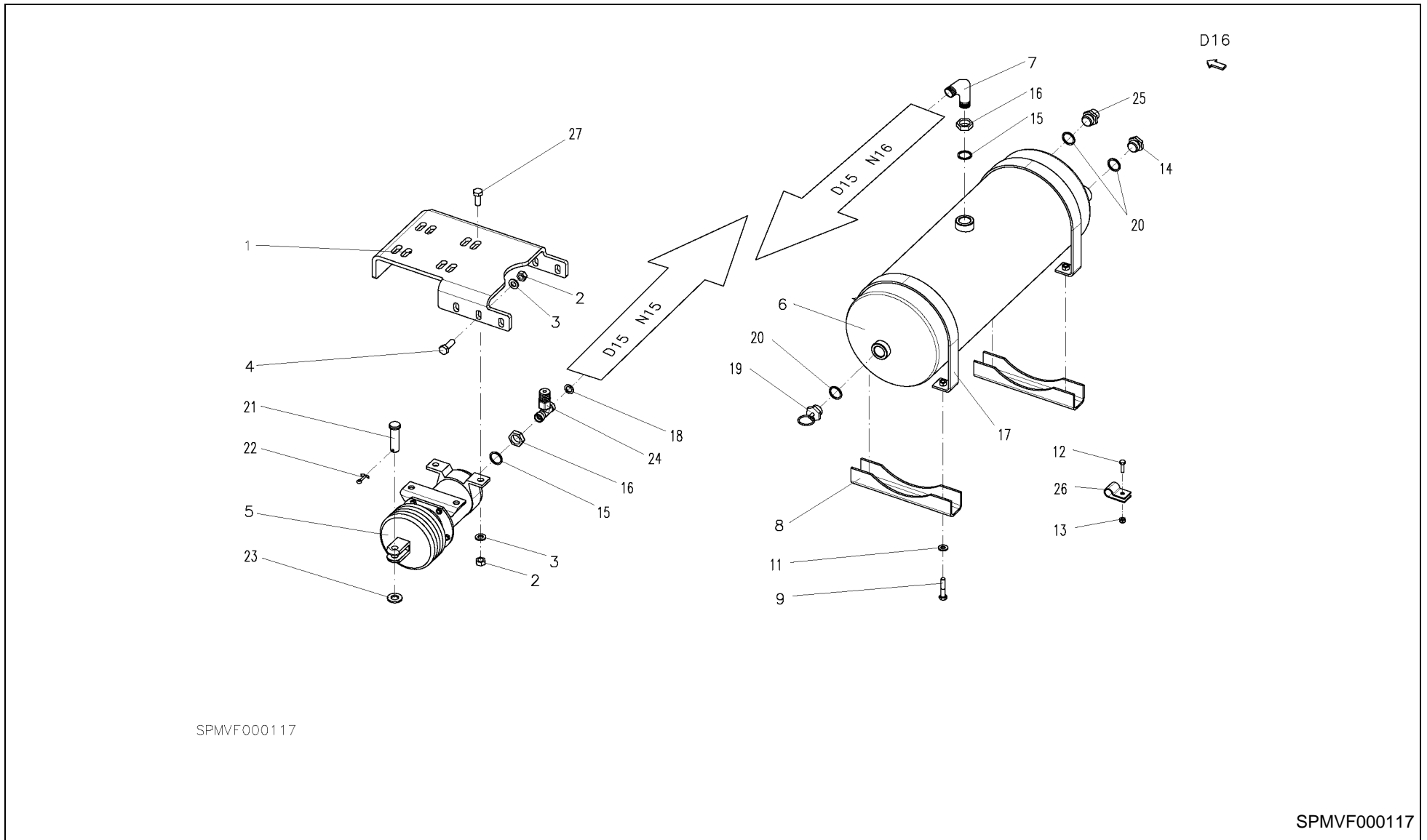
RF 235 / air brake single axle





RF 235 / air brake single axle

PosNo.	Part No.	Qty.	Description	Remark
1	VF06558797	1	BRAKE VALVE	
3	VF06216756	1	BANJO BOLT	
4	VF16652001.86	1	SUPPORT	
5	KG00474361	4	HEX. SCREW M10X30 8.8	
6	KG01067661	4	LOCK NUT M10 8	
7	VF16652028	1	TUBE	
8	VF01142247	2	SOCKET/ADAPTER	
9	VF16650122	1	BRAKE TUBE	
12	VF01125146	4	THRUST RING	
13	VF01118736	4	GASKET	
14	VF06277296	4	SEALING	
15	VF16654706	1	BRAKE TUBE	
16	VF16652006	1	BRAKE TUBE	
17	VF06216771	2	SOCKET/ADAPTER	
18	VF01142083	2	NUT	
19	VF01121766	2	TUBE	
20	VF06216772	4	PIPE CLIP	
22	VF01142246	2	ELBOW	
23	VF01137633	2	NUT	



SPMVF000117

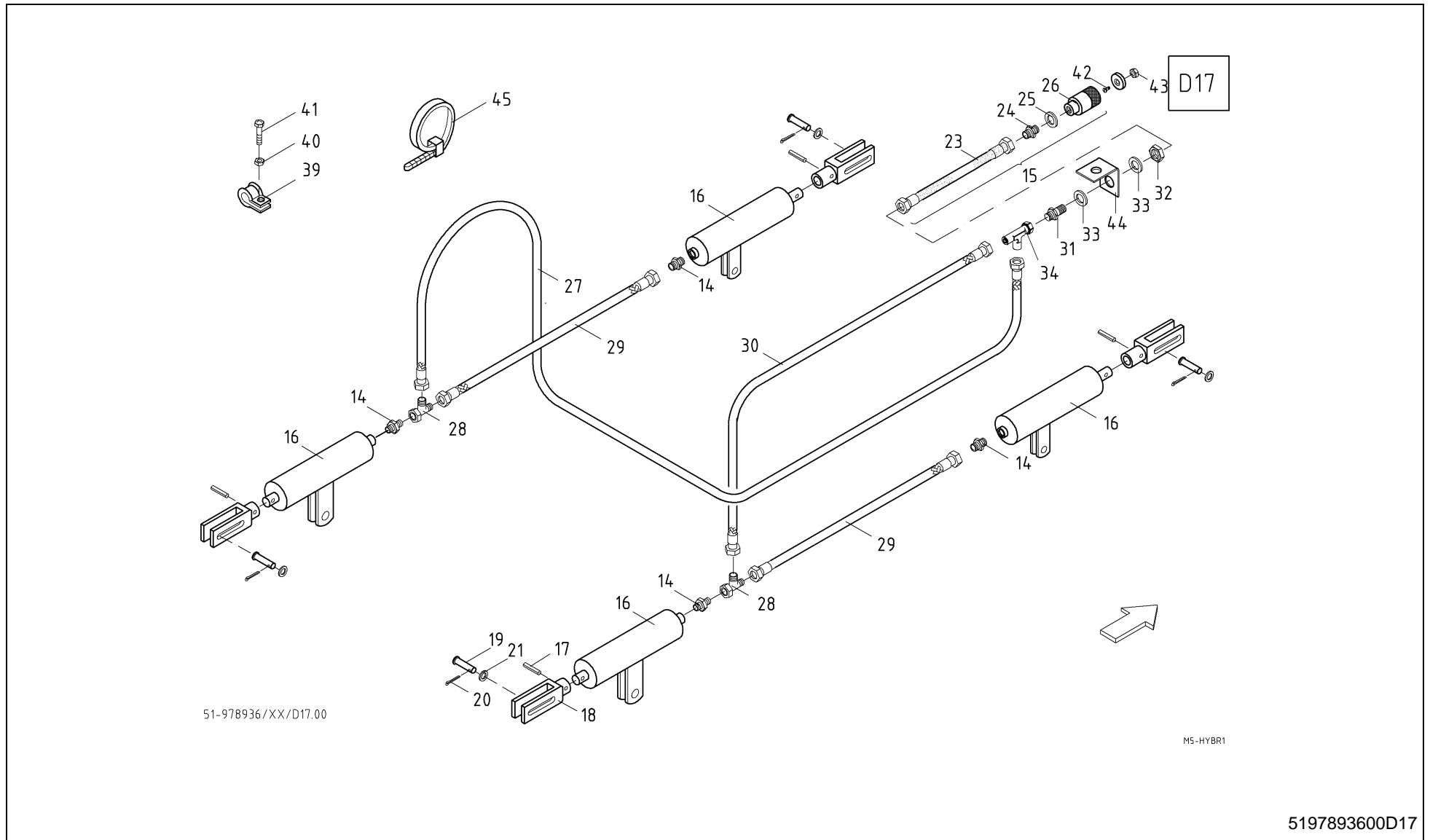
SPMVF000117



RF 235 / press. air brake

PosNo.	Part No.	Qty.	Description	Remark
1	VF16653091.86	1	CYLINDER SUPPORT	
2	KG01052061	8	HEX. NUT M10 8	
3	KG01267461	8	WASHER M10	
4	KG00474361	4	HEX. SCREW M10X30 8.8	
5	VF06558792	1	AIR RAM	
6	VF16619998	1	AIR TANK	
7	VF01142246	1	ELBOW	
8	VF16615972.86	2	RETAINER	
9	KG00353261	4	HEX. BOLT M8X40 8.8	
11	VF06214246	4	WASHER	
12	KG00468961	5	HEX. SCREW M6X20 8.8	
13	KG01067361	5	LOCK NUT M6 8	
14	VF06216756	1	BANJO BOLT	
15	VF06216757	2	SEAL RING	
16	VF01137633	2	NUT	
17	VF16618237.86	2	RETAINER	
18	VF06277296	1	SEALING	
19	VF06216747	1	VALVE	
20	VF01118736	3	GASKET	
21	VF06210024	1	PIN	
22	KG01251561	1	SPLIT PIN 4X25 ST	
23	VF01115040	1	WASHER	
24	VF06216762	1	STRAIGHT UNION	
25	VF01142023	1	HOLLOW BOLT	
26	VF01211882	5	PIPE CLIP	
27	KG00474261	4	HEX. SCREW M10X25 8.8	

RF 235 / hydraulic brake device



51-978936/XX/D17.00

M5-HYBR1

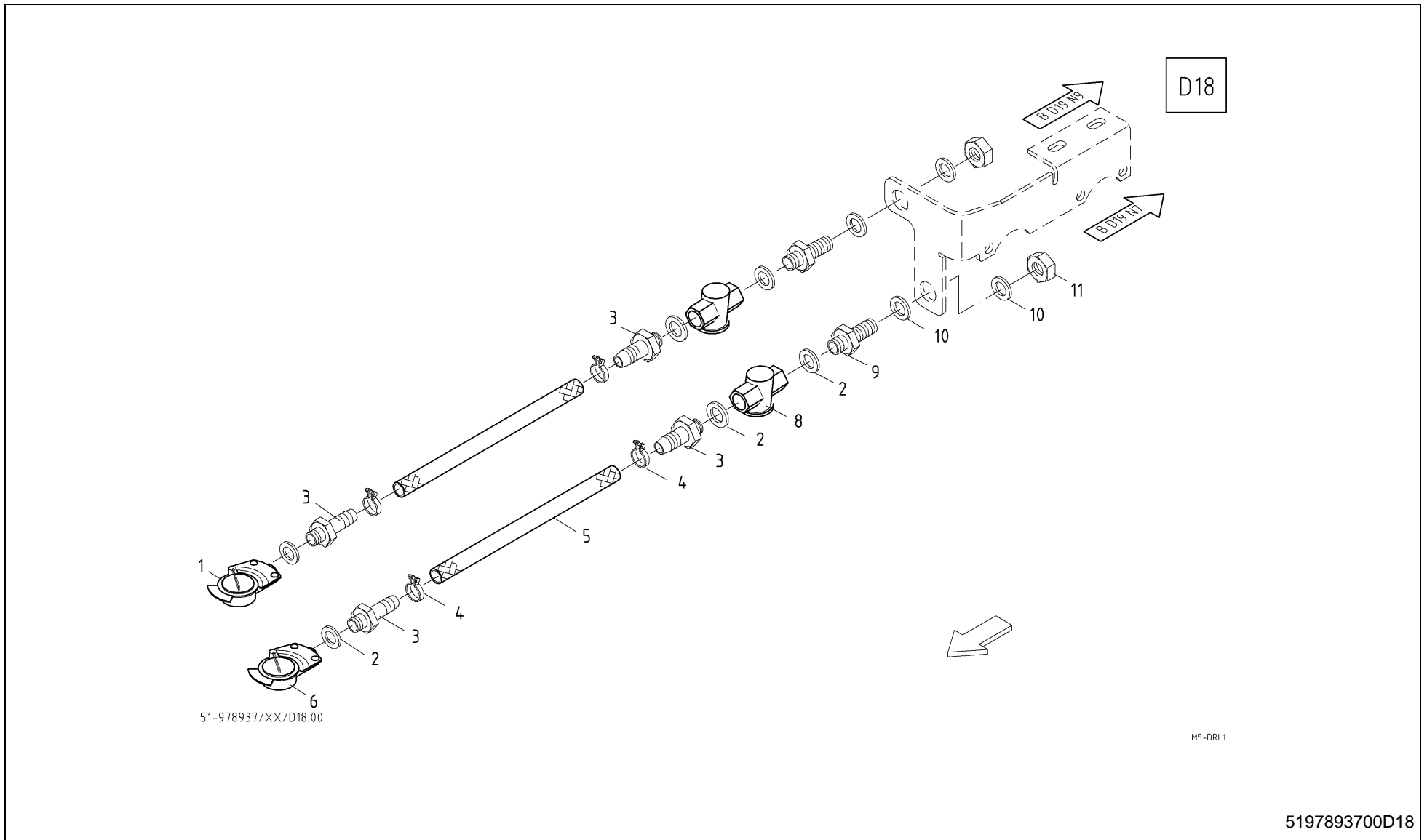
5197893600D17



RF 235 / hydraulic brake device

PosNo.	Part No.	Qty.	Description	Remark
14	VF16615961	4	THREADED UNION	
15	VF16615956	1	HYDR. HOSE	
16	VF16652189	4	HYDRAULIC CYLINDER	
17	KG01184962	4	TENSION PIN 3X24	
18	VF16650424	4	FORK HEAD	
19	VF06210017	4	PIN	
20	KG01251561	4	SPLIT PIN 4X25 ST	
21	KG01267561	4	WASHER M12	
23	VF16615955	1	HYDR. HOSE	
24	VF01116682	1	ERMETO NIPPLE	
25	VGND3156	1	PACKING RING 1.5X18X22	
26	VF16613256	1	HYDR.PIPE	
27	VF16652142	1	HYDR. HOSE	
28	VF16618209	2	THREADED UNION	
29	VF16652063	2	HYDR.HOSE	
30	VF16652143	1	HYDR. HOSE	
31	VF01100600	1	SOCKET/ADAPTER	
32	VF06216908	1	NUT	
33	KG01267761	2	WASHER M16	
34	VF16618209	1	THREADED UNION	
39	VF01211882	8	PIPE CLIP	
40	KG01067361	8	LOCK NUT M6 8	
41	KG00468961	8	HEX. SCREW M6X20 8.8	
42	VF01132294	1	C'SUNK SCREW	
43	KG01067261	1	ZELFB.MOER M5/8 VERZ. NYLOC	
44	VF16652141.86	1	SUPPORT	
45	VF16611916	8	WIRE FASTENER	

RF 235 / air brake tandem

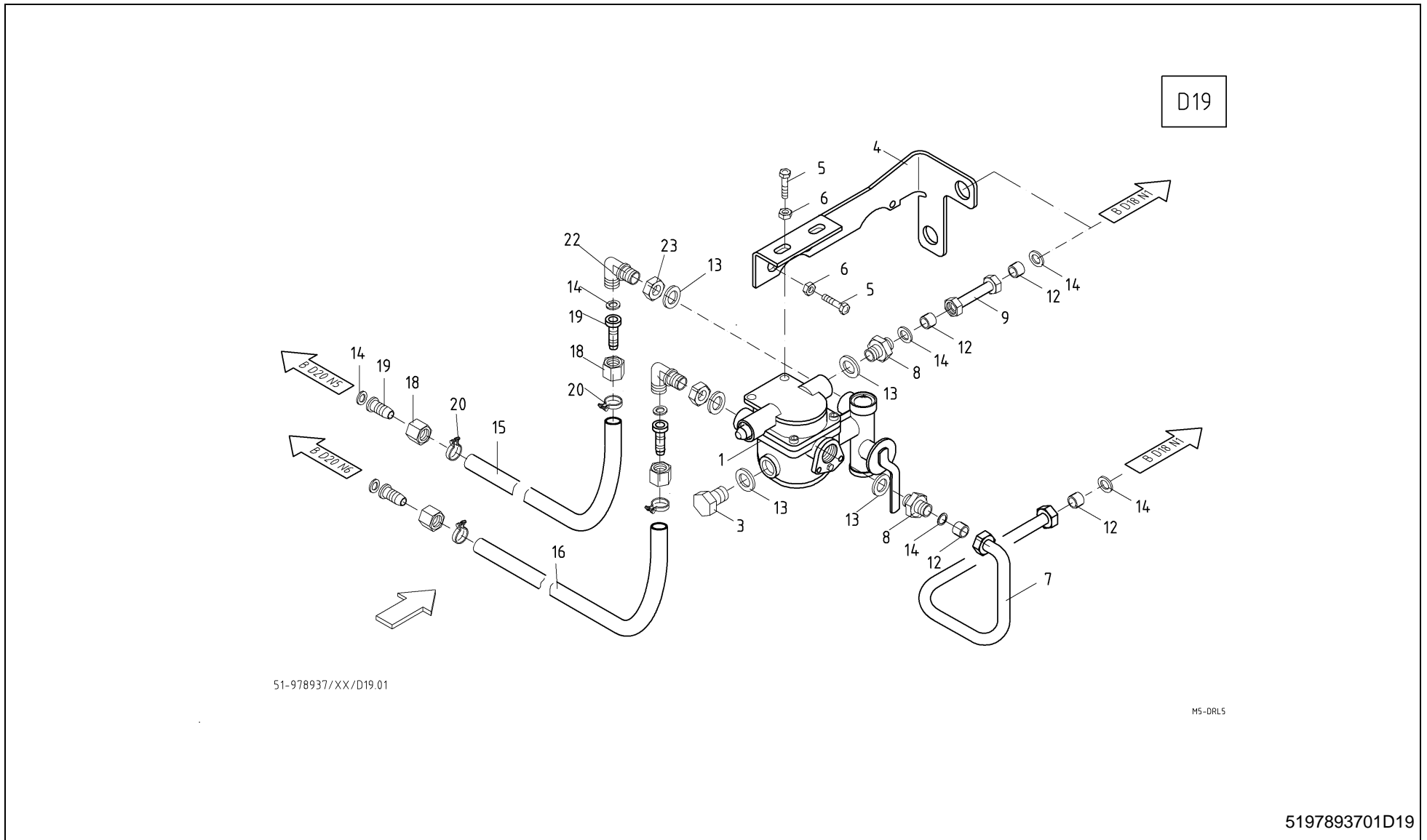




RF 235 / air brake tandem

PosNo.	Part No.	Qty.	Description	Remark
1	VF16650191	1	CLUTCH BUTTON	
2	VF01118736	4	GASKET	
3	VF06216771	4	SOCKET/ADAPTER	
4	VF06216772	4	PIPE CLIP	
5	VF16618830	2	BRAKE TUBE	
6	VF16650190	1	CLUTCH BUTTON	
8	VF06558801	2	FILTER	
9	VF06216763	2	TWIN NIPPLE	
10	VF06214306	4	WASHER	
11	VF01137633	2	NUT	

RF 235 / air brake tandem

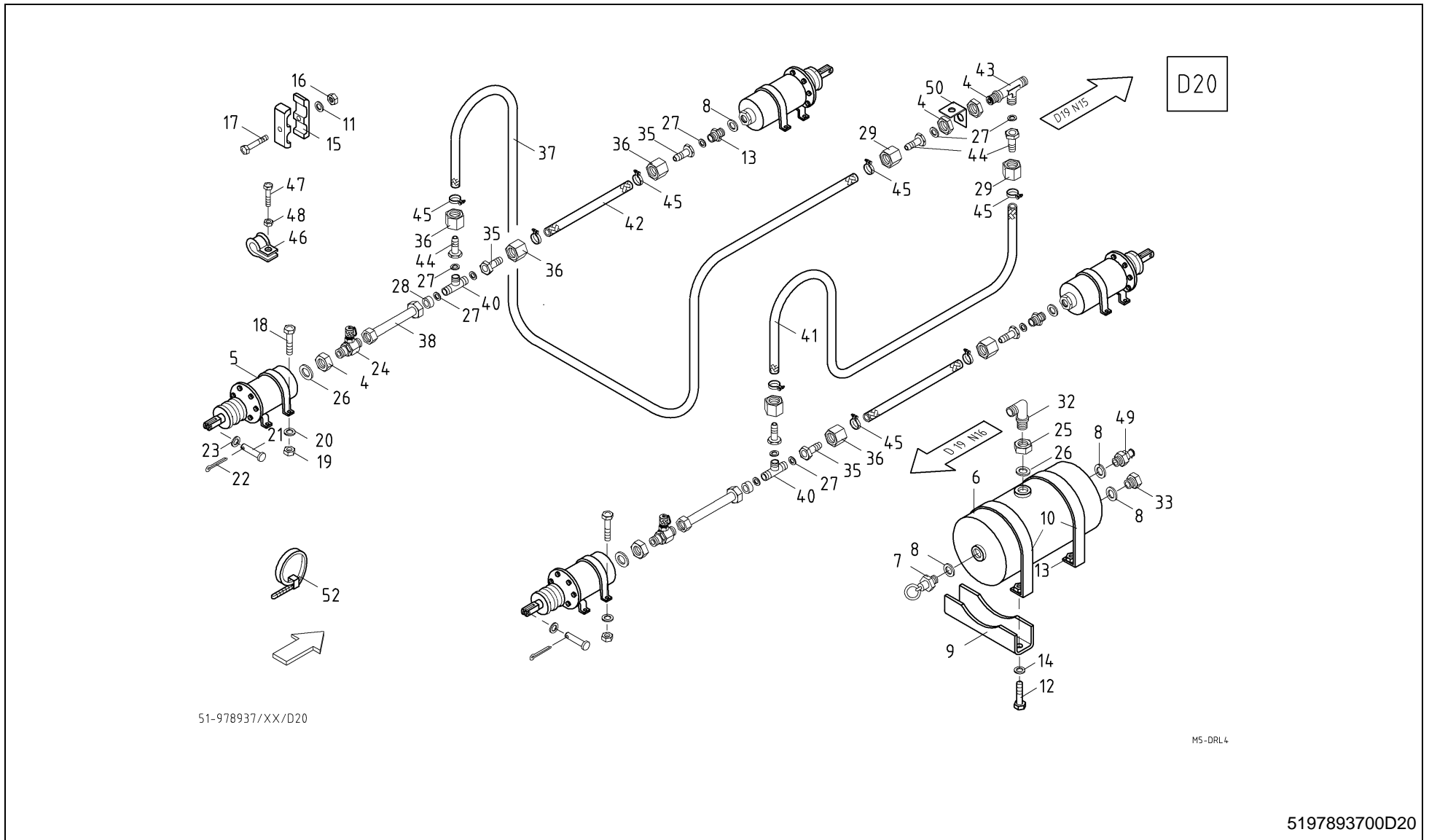




RF 235 / air brake tandem

PosNo.	Part No.	Qty.	Description	Remark
1	VF06558797	1	BRAKE VALVE	
3	VF06216756	1	BANJO BOLT	
4	VF16652001.86	1	SUPPORT	
5	KG00474361	4	HEX. SCREW M10X30 8.8	
6	KG01067661	4	LOCK NUT M10 8	
7	VF16652028	1	TUBE	
8	VF01142247	2	SOCKET/ADAPTER	
9	VF16650122	1	BRAKE TUBE	
12	VF01125146	4	THRUST RING	
13	VF01118736	4	GASKET	
14	VF06277296	4	SEALING	
15	VF16652132	1	BRAKE TUBE	
16	VF16652006	1	BRAKE TUBE	
17	VF06216771	2	SOCKET/ADAPTER	
18	VF01142083	2	NUT	
19	VF01121766	2	TUBE	
20	VF06216772	4	PIPE CLIP	
22	VF01142246	2	ELBOW	
23	VF01137633	2	NUT	

RF 235 / air brake tandem



51-978937/XX/D20

MS-DRL 4

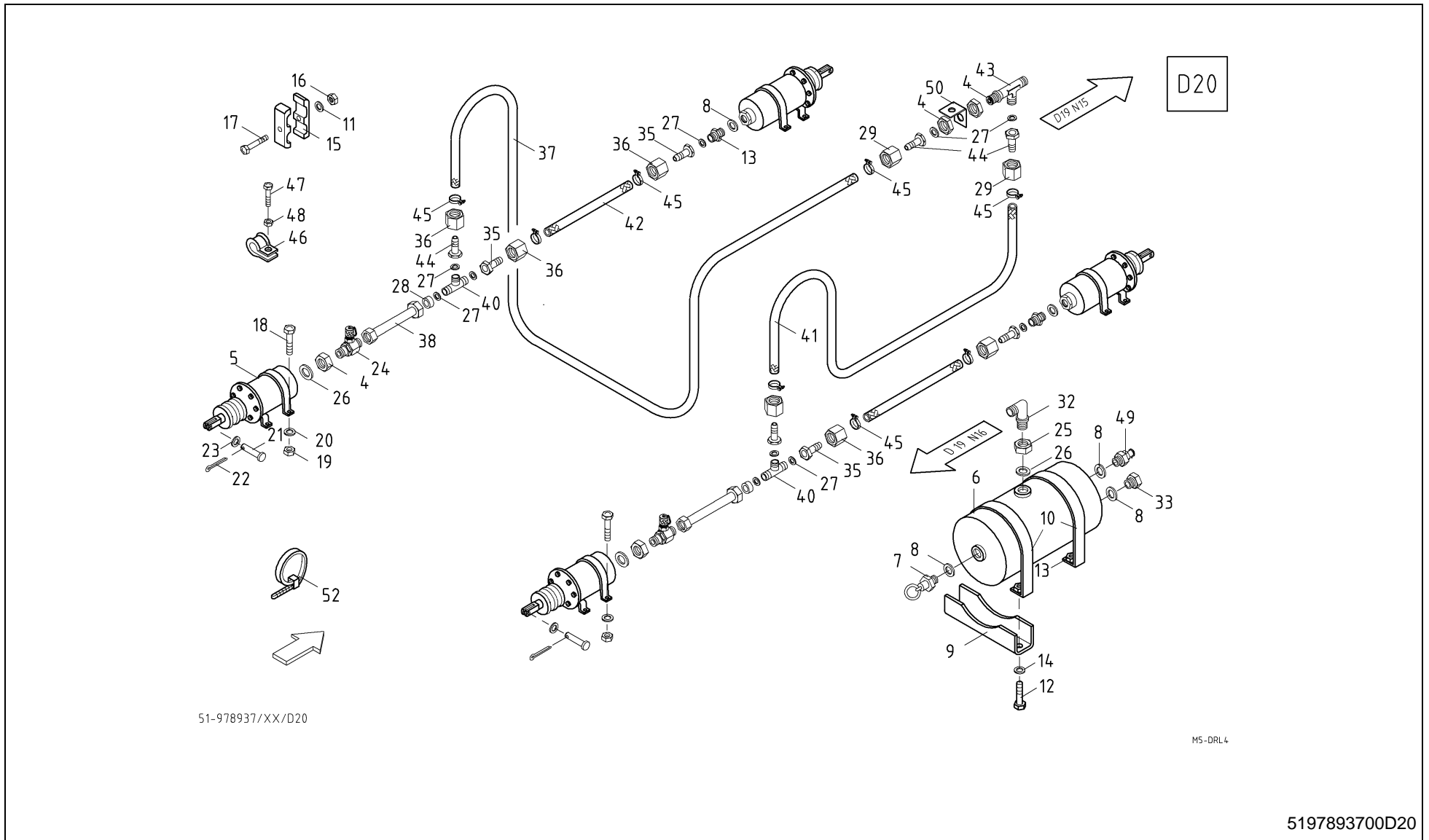
5197893700D20



RF 235 / air brake tandem

PosNo.	Part No.	Qty.	Description	Remark
4	VF01137633	2	NUT	
5	VF06558792.86	4	AIR RAM	
6	VF16619998	1	AIR TANK	
7	VF06216747	1	VALVE	
8	VF01118736	3	GASKET	
9	VF16615972.86	2	RETAINER	
10	VF16618237.86	2	RETAINER	
11	VGND3034V	4	WASHER, PLAIN 24/6MM	
12	KG00353261	4	HEX. BOLT M8X40 8.8	
13	KG01067561	4	LOCK NUT M8 8	
14	VF06214195	4	WASHER	
15	VF06578035	8	CLAMP	
16	KG01067361	4	LOCK NUT M6 8	
17	KG00469361	4	HEX. SCREW M6X35 8.8	
18	KG00474261	16	HEX. SCREW M10X25 8.8	
19	KG01067661	16	LOCK NUT M10 8	
20	KG01267461	16	WASHER M10	
21	VF06210024	4	PIN	
22	KG01251561	4	SPLIT PIN 4X25 ST	
23	VF01115040	4	WASHER	
24	VF06216762	2	STRAIGHT UNION	
25	VF01137633	1	NUT	
26	VF06216757	5	SEAL RING	
27	VF06277296	10	SEALING	
28	VF01125146	2	THRUST RING	
29	VF01125152	3	UNION NUT	
30	VF01116626	2	CUTTING RING	
32	VF01142246	1	ELBOW	
33	VF06216756	1	BANJO BOLT	
34	VF06214195	4	WASHER	
35	VF01121766	6	TUBE	
36	VF01142083	6	NUT	
37	VF16652133	1	BRAKE TUBE	
38	VF16650122	2	BRAKE TUBE	
40	VF16650143	3	UNION	
41	VF16652134	1	BRAKE TUBE	
42	VF16650345	2	BRAKE TUBE	
43	VF16650128	1	STRAIGHT UNION	
44	VF06216771	8	SOCKET/ADAPTER	
45	VF06216772	8	PIPE CLIP	

RF 235 / air brake tandem

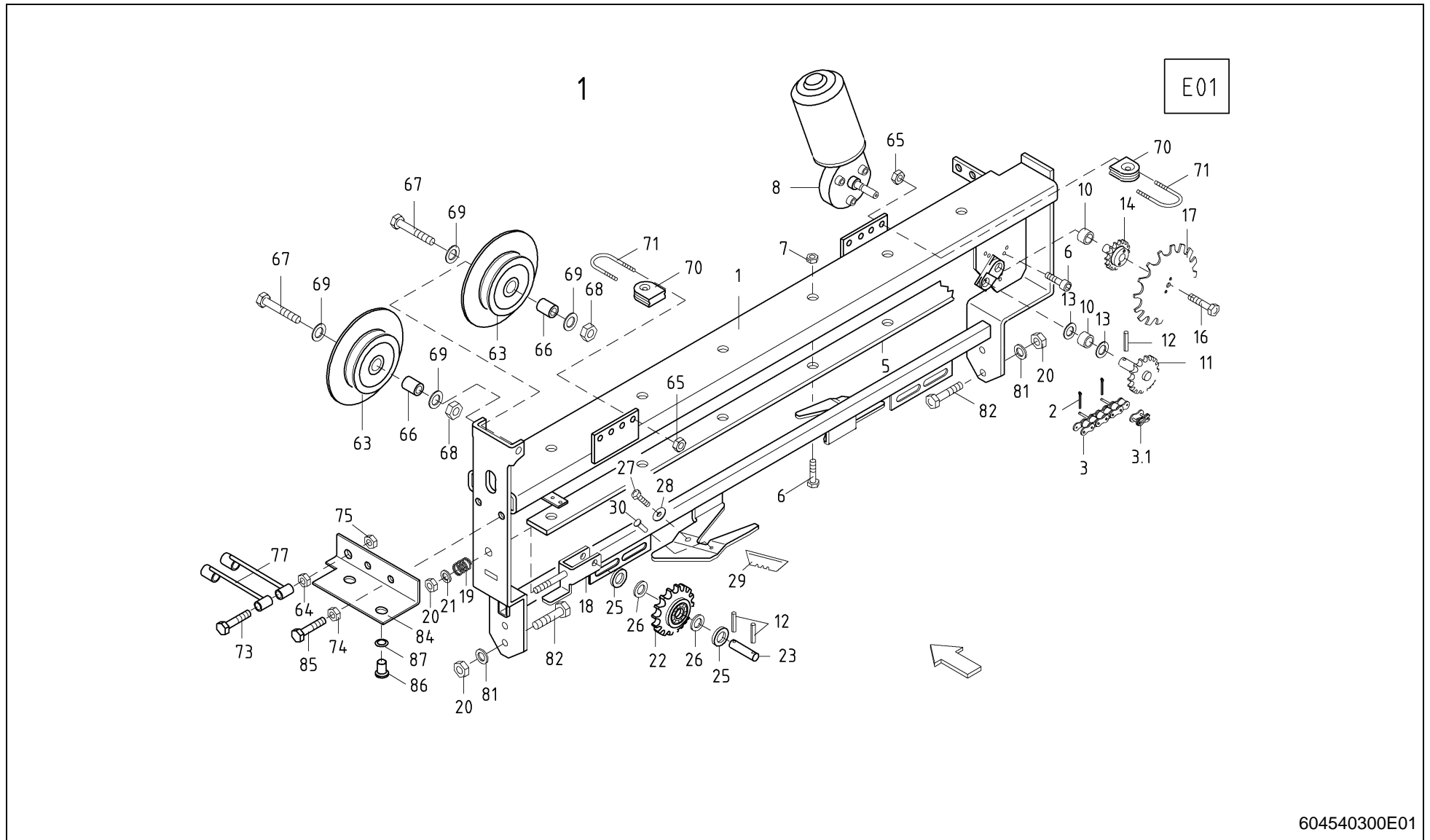




RF 235 / air brake tandem

PosNo.	Part No.	Qty.	Description	Remark
46	VF01211882	10	PIPE CLIP	
47	KG00468961	10	HEX. SCREW M6X20 8.8	
48	KG01067361	10	LOCK NUT M6 8	
49	VF01142023	1	HOLLOW BOLT	
50	VF16652141	1	SUPPORT	
52	VF16611916	8	WIRE FASTENER	

RF 235 / twine knotter, frame



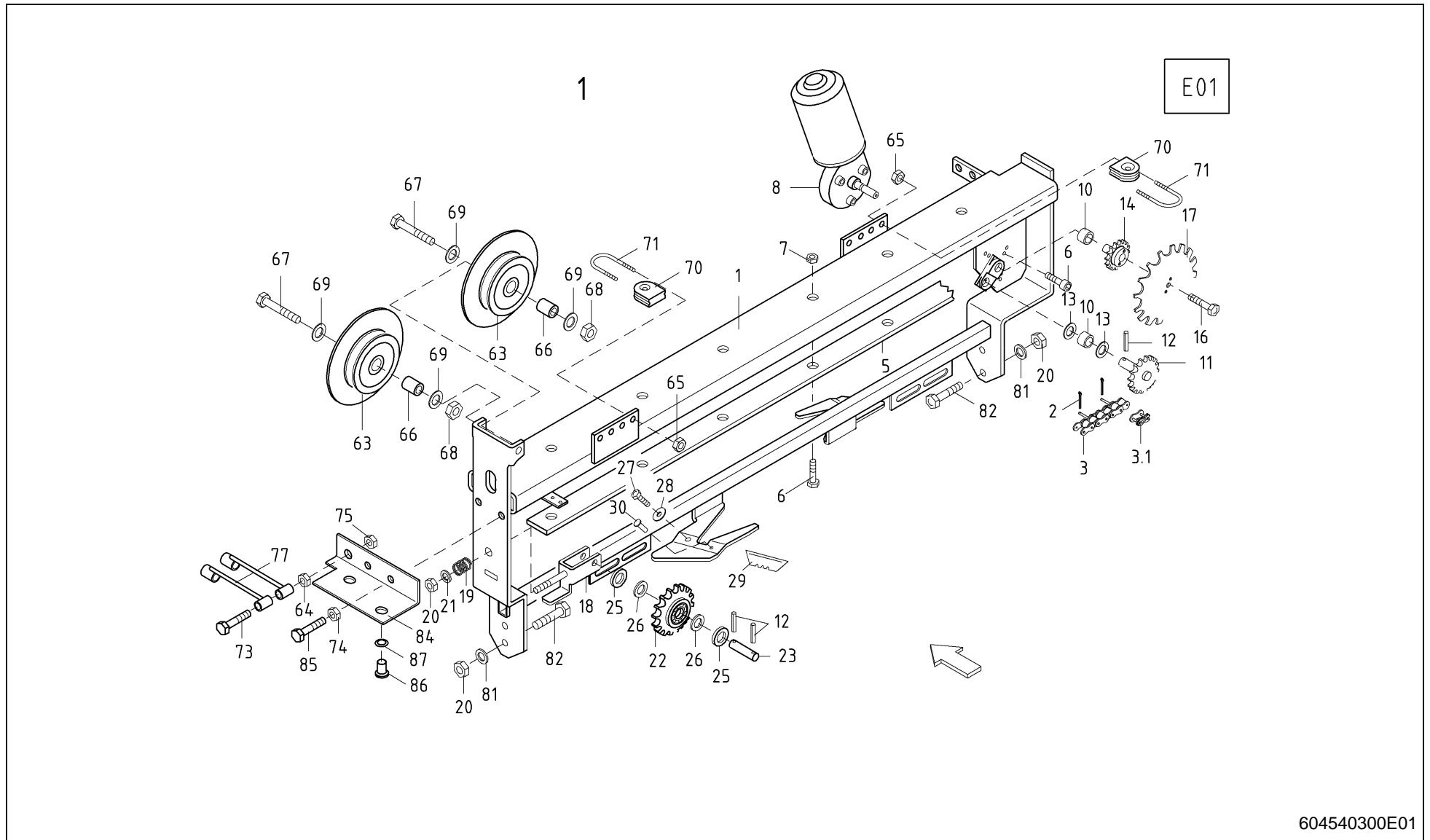
604540300E01



RF 235 / twine knotter, frame

PosNo.	Part No.	Qty.	Description	Remark
1	VF16652165.86	1	SUPPORT	
2	KG01247461	4	SPLIT PIN 1.6X12 ST	
3	VF16616233	1	DRIVER CHAIN	
3.1	VF01119778		CHAIN LINK	
5	VF16616234	1	GUIDE BAR	
6	VF01104181	9	CYLINDR. SCREW	
7	KG01067361	6	LOCK NUT M6 8	
8	VF16615352	1	EL. GEARMOTOR MR 62 12 V 1VEL	
10	VF16615381	2	NEEDLE SLEEVE	
11	VF16615376.86	1	SPROCKET	
12	KG01186262	3	TENSION PIN 4X24	
13	VF06214586	1	WASHER	
14	VF16654331.86	1	DRIVING WHEEL	
15	KG01186062	1	TENSION PIN 4X20	
16	KG00466161	3	HEX. SCREW M4X16 8.8	
17	VF16615390	1	TOOTHED RING	
18	VF16616224.86	1	BRACKET	
19	VF02953332	1	COMPRESSION SPRING	
20	KG01068861	5	LOCK NUT M10 10	
21	VGMT152V	1	WASHER, PLAIN 3X11X30	
22	VF16616235.86	1	TENSION ROLLER	
23	VF06209938	1	PIN	
25	VF16604743	2	WASHER	
26	VF06214293	2	WASHER	
27	KG00468561	2	HEX. SCREW M6X12 8.8	
28	VF06210691	2	CUP SPRING	
29	VF06552220	2	KNIFE	
30	VF01115307	2	RIVET	
63	VF16617907	2	GUIDE ROLLER	
64	KG01052061	1	HEX. NUT M10 8	
65	KG01067361	4	LOCK NUT M6 8	
66	VF16617908	2	TUBE	
67	KG00355561	2	HEX. BOLT M10X55 8.8	
68	KG01068861	2	LOCK NUT M10 10	
69	VGMT152V	3	WASHER, PLAIN 3X11X30	
70	VF06250778	2	PORCELAIN RING	
71	VF06250780	2	SCREW	
73	KG00356261	1	HEX. BOLT M10X90 8.8	
74	KG01067561	2	LOCK NUT M8 8	
75	KG01068861	1	LOCK NUT M10 10	

RF 235 / twine knotter, frame



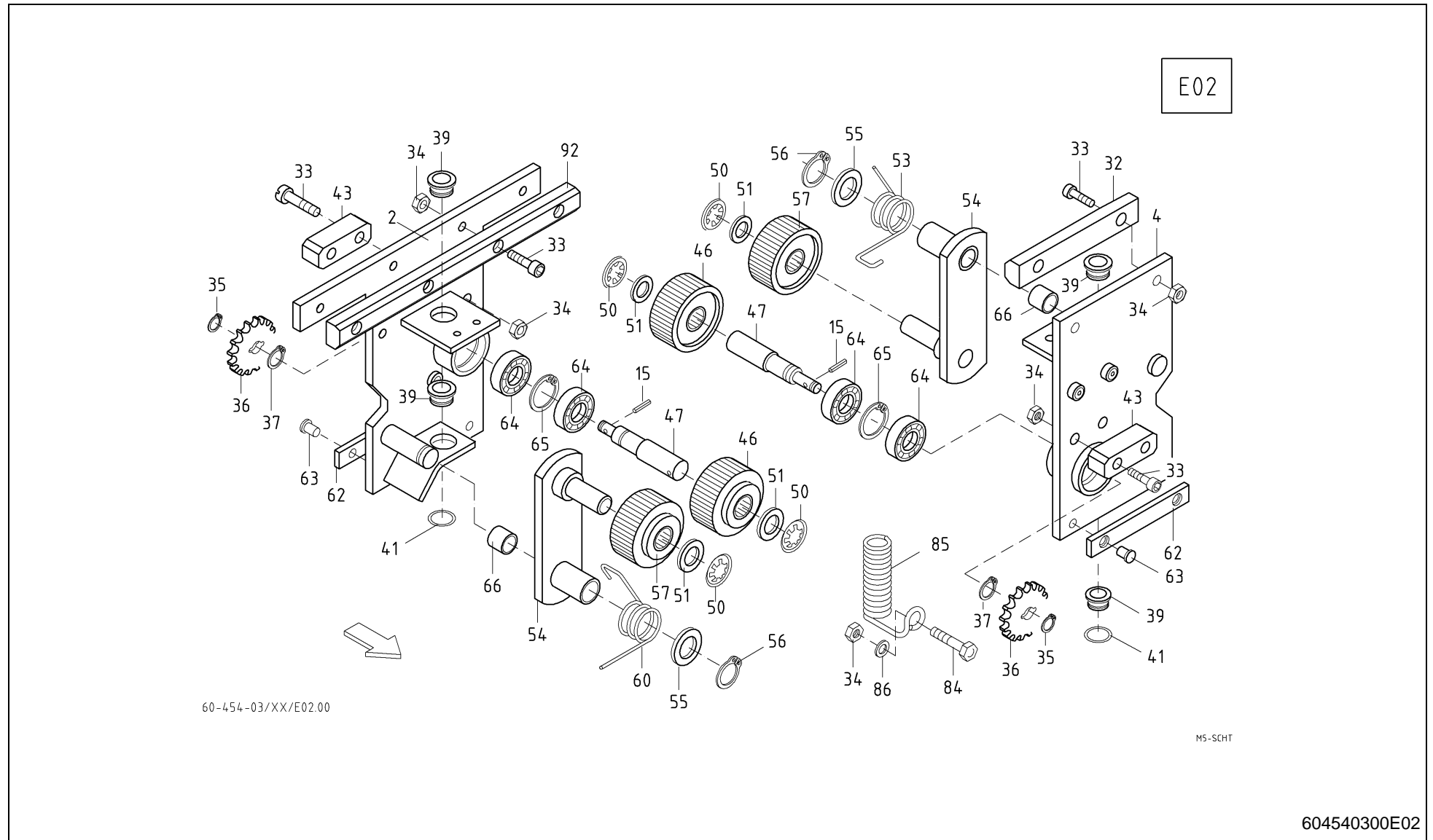
604540300E01



RF 235 / twine knotter, frame

PosNo.	Part No.	Qty.	Description	Remark
77	VF06573520	2	TWINE GUIDE PIECE	
81	KG01267461	2	WASHER M10	
82	KG00474261	2	HEX. SCREW M10X25 8.8	
84	VF16617583.86	1	EYE RETAINER	
85	KG00471761	2	HEX. SCREW M8X16 8.8	
86	VF16616279	2	GUIDE EYE	
87	VF06214690	2	SEAL RING 15X3	

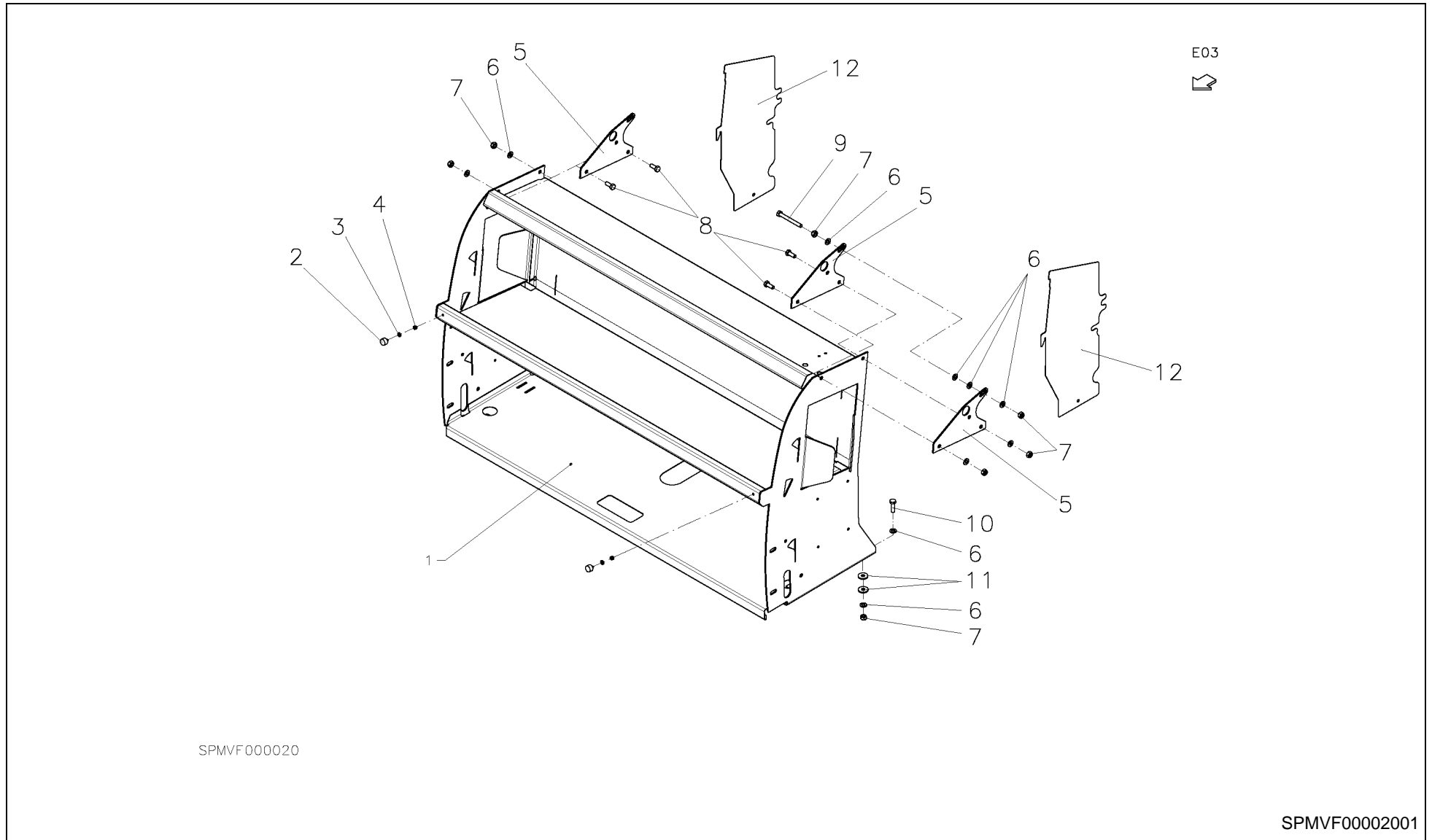
RF 235 / skid left and right





RF 235 / skid left and right

PosNo.	Part No.	Qty.	Description	Remark
2	VF16616228.86	1	SKID RIGHT	
4	VF16616226.86	1	SKID LEFT	
15	KG01186062	2	TENSION PIN 4X20	
32	VF16616217	1	SLIDING PAD	
33	VF01110522	8	CHEESE HEAD SCREW	
34	KG01067361	8	LOCK NUT M6 8	
35	KG01097600	2	CIRCLIP-A 12 X 1.5	
36	VF16614616	2	SPROCKET	
37	KG01107300	2	CIRCLIP-A 15 X 1	
39	VF16616279	4	GUIDE EYE	
41	VF06214690	4	SEAL RING 15X3	
43	VF16615371	2	SLIDING BLOCK	
46	VF16519575	2	DRIVER ROLLER	
47	VF16616247	2	SHAFT	
50	VF16616280	4	LOCKING WASHER	
51	KG01267761	4	WASHER M16	
53	VF16616232	1	TORSION SPRING	
54	VF16617597.86	2	TENSION ARM	
55	KG01267761	2	WASHER M16	
56	KG01107400	2	CIRCLIP-A 16 X 1	
57	VF16617599	2	DRIVER ROLLER	
60	VF16615372	1	SPRING	
62	VF16616248.86	2	SLIDING STRIP	X 2/4
63	VF16618423	4	BLANK RIVET	X 2/4
64	KG01375600	4	BALL BEARING 6202-2RS	
65	KG01127500	2	CIRCLIP-B 35 X 1.5	
66	VF16616236	2	BUSH	
84	KG00468761	2	HEX. SCREW M6X16 8.8	
85	VF16617581	2	SPRING	
86	KG01267261	2	WASHER M6	
92	VF16619305	1	SLIDING PAD	



SPMVF000020

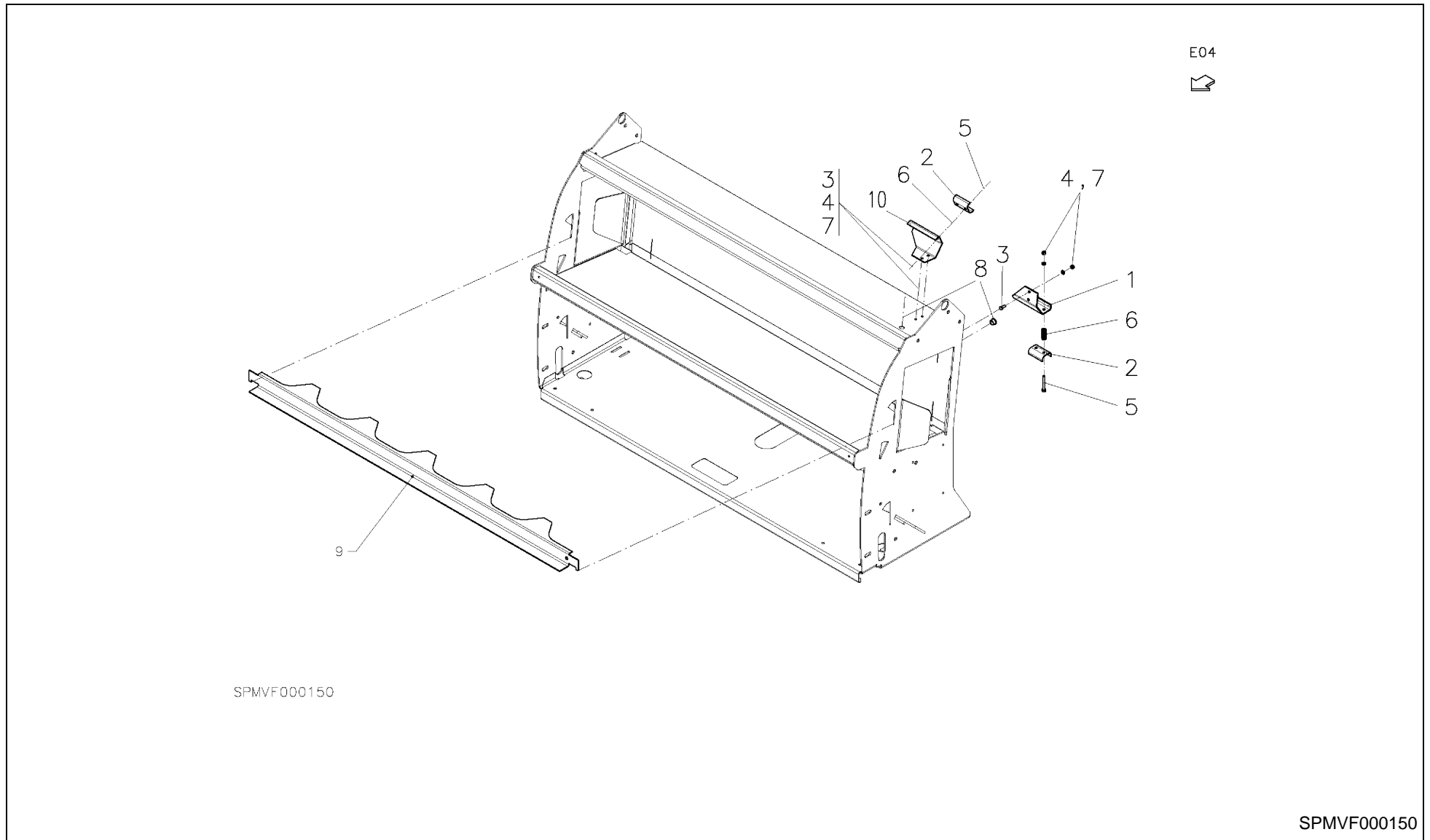
SPMVF00002001



RF 235 / combin. box

PosNo.	Part No.	Qty.	Description	Remark
1	VF16653414.86	1	COMBIN.BOX	
2	VF01142826	2	RUBBER PAD	
3	KG01267261	2	WASHER M6	
4	KG01067361	2	LOCK NUT M6 8	
5	VF16653419.86	2	PUNCHED PLATE	
6	KG01267461	10	WASHER M10	
7	KG01068861	6	LOCK NUT M10 10	
8	KG00474261	2	HEX. SCREW M10X25 8.8	
9	KG00356261	1	HEX. BOLT M10X90 8.8	
10	KG00474461	2	HEX. SCREW M10X35 8.8	
11	VGMT152V	4	WASHER, PLAIN 3X11X30	
12	VF16653494.86	2	COVERING SHEET	

RF 235 / adaption for twine knotter

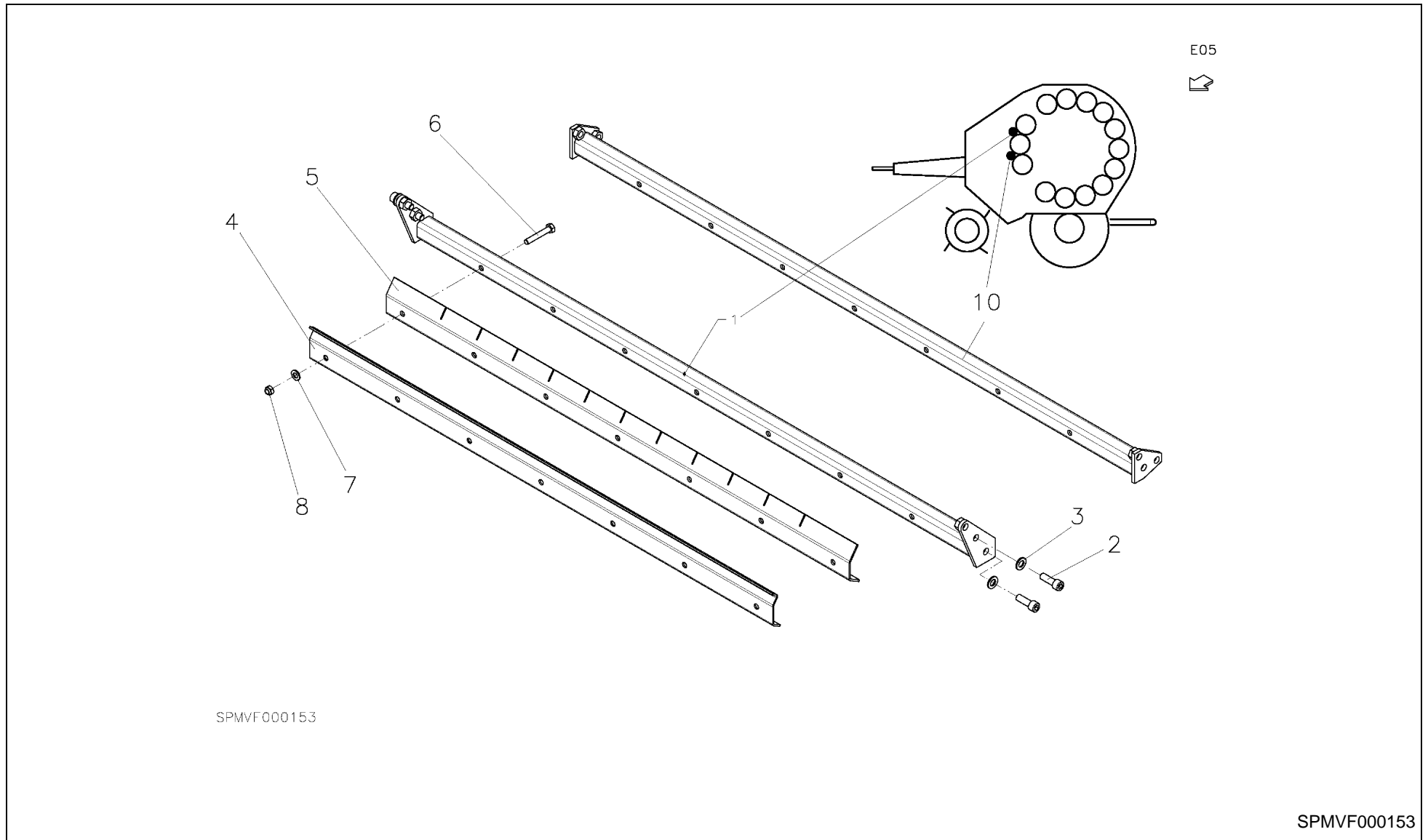




RF 235 / adaption for twine knotter

PosNo.	Part No.	Qty.	Description	Remark
1	VF16653405	1	YOKE	
2	VF16519175	2	THRUST PLATE	
3	KG00468761	2	HEX. SCREW M6X16 8.8	
4	KG01267261	6	WASHER M6	
5	KG00351261	4	HEX. BOLT M6X50 8.8	
6	VF06215272	4	SPIRAL SPRING	
7	KG01067361	6	LOCK NUT M6 8	
8	VF16617182	2	WIRE INLET	
9	VF16652922	1	GARNROLLENHALTER	

RF 235 / STRIPPER for twine knotter

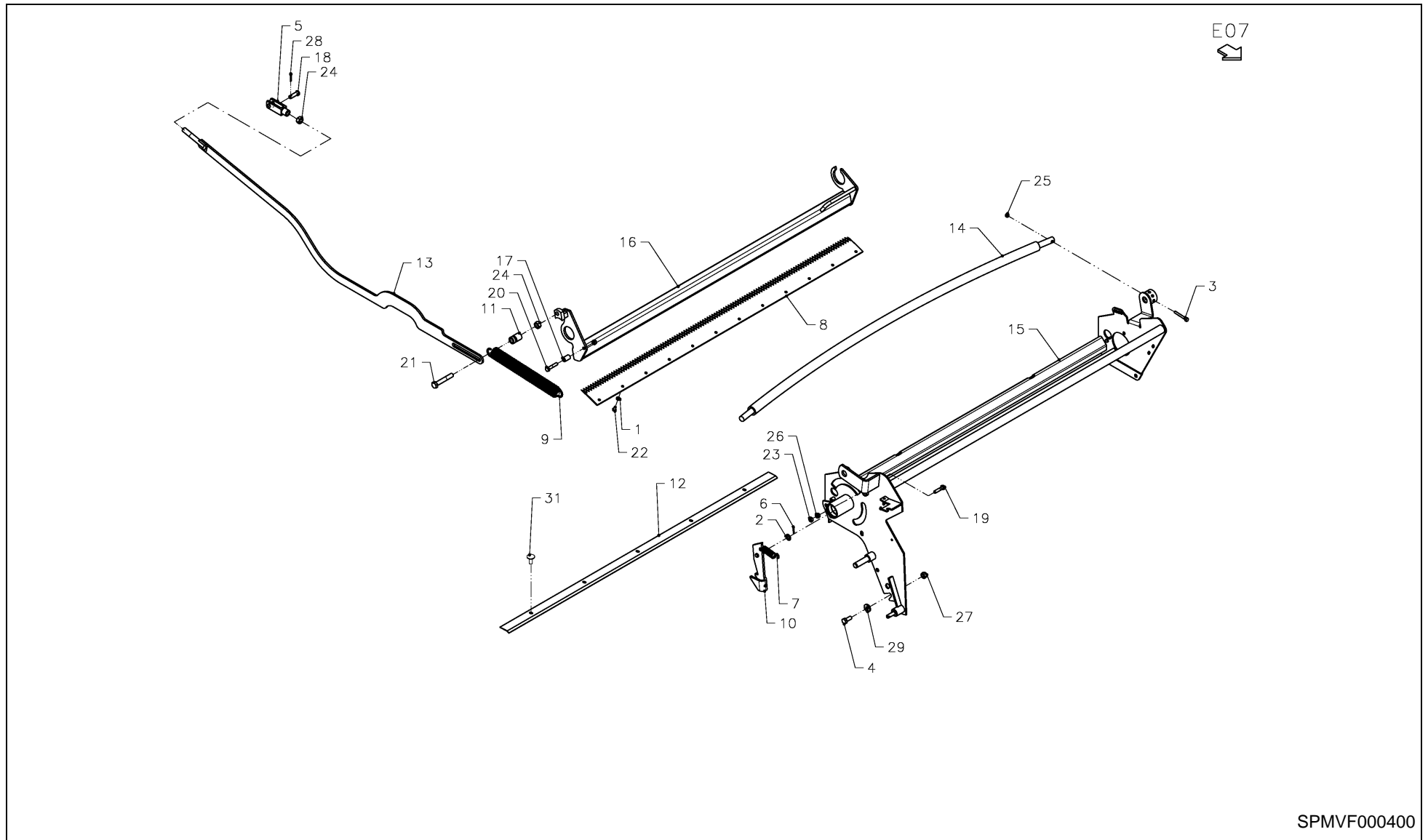




RF 235 / STRIPPER for twine knotter

PosNo.	Part No.	Qty.	Description	Remark
1	VF16651963.86	1	SUPPORT/CARRIER	
2	VF01397887	8	CHEESE-HEAD SCREW	
3	KG01267361	8	WASHER M8	
4	VF06576898.86	2	TERMINAL STRIP	
5	VF06576899	2	STRIPPER	
6	KG00353461	14	HEX. BOLT M8X50 8.8	
7	KG01267361	14	WASHER M8	
8	KG01067561	14	LOCK NUT M8 8	
10	VF16616999.86	1	SUPPORT	

RF 235 / net binding frame

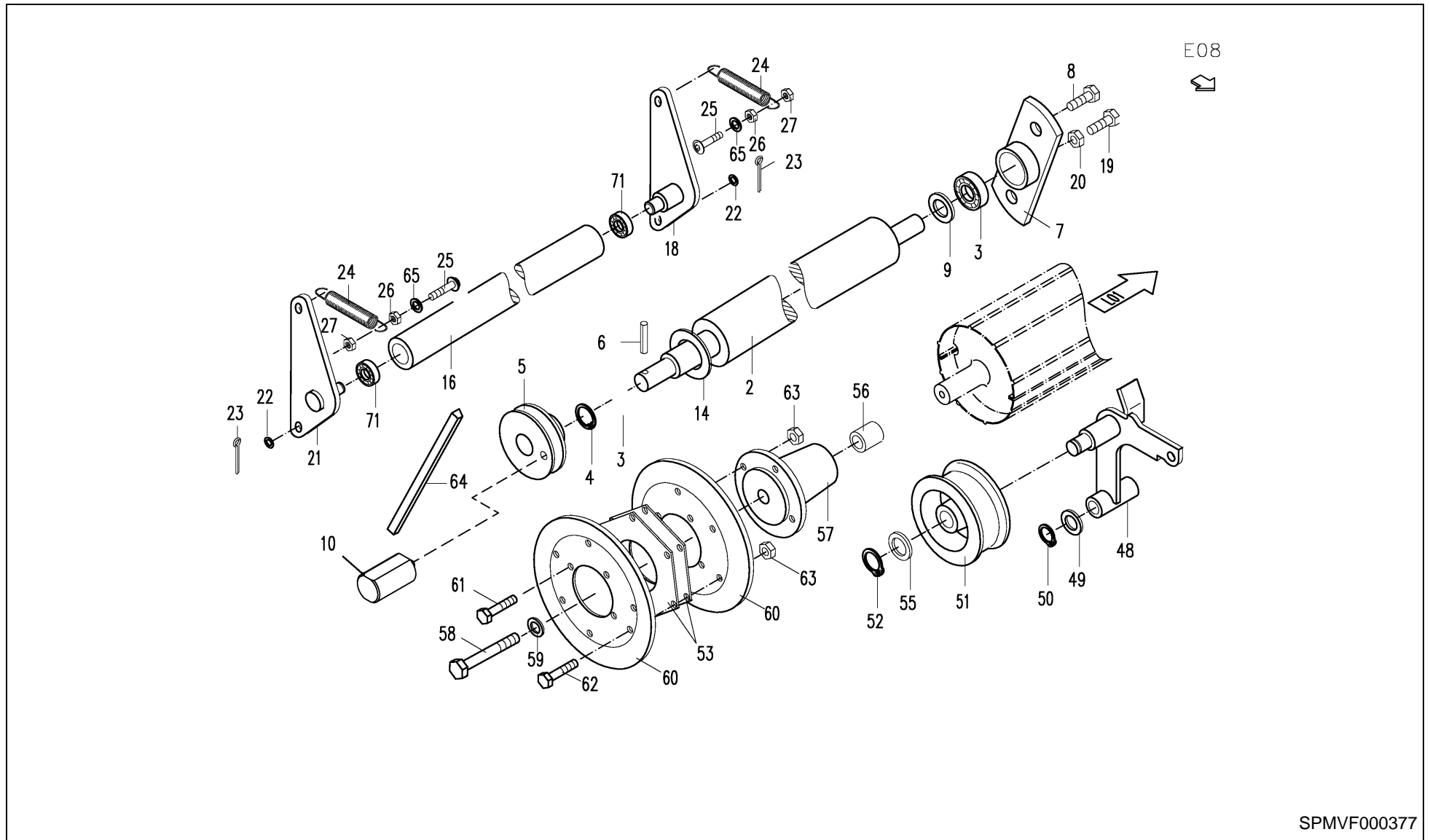




RF 235 / net binding frame

PosNo.	Part No.	Qty.	Description	Remark
1	KG01267261	12	WASHER M6	
2	VF01107552	1	WASHER	
3	KG00351261	1	HEX. BOLT M6X50 8.8	
4	KG00474261	1	HEX. SCREW M10X25 8.8	
5	VF01120923	1	FORK	
6	VF01132625	1	SPLIT PIN	
7	VF16615967	1	TENSION SPRING	
8	VF16617102	1	KNIFE STRIP	
9	VF16617103	1	TENSION SPRING	
10	VF16617132.86	1	RATCHET	
11	VF16617134	1	SPACER TUBE	
12	VF16617137.86	1	SCRAPPER	
13	VF16651419.86	1	TOW BAR	
14	VF16655036	1	NETZFUERUNGSROHR	
15	VF16655805.86	1	FRAME WELD.	
16	VF16655808.86	1	MESSERTRAEGER GSW.	
17	VF01157397	1	DOWEL PIN	
18	VGET154V	1	PIN	
19	KG00353161	1	HEX. BOLT M8X35 8.8	
20	KG00353261	1	HEX. BOLT M8X40 8.8	
21	KG00358061	1	HEX. BOLT M12X75 8.8	
22	KG00468561	12	HEX. SCREW M6X12 8.8	
23	KG01051961	1	HEX. NUT M8 8	
24	KG01052161	2	HEX. NUT M12 8	
25	KG01067361	1	LOCK NUT M6 8	
26	KG01067561	2	LOCK NUT M8 8	
27	KG01068861	3	LOCK NUT M10 10	
28	KG01251461	1	SPLIT PIN 4X20 ST	
29	KG01273661	1	WASHER M10	
31	VF01142077	5	SAUCER HEAD SCREW	

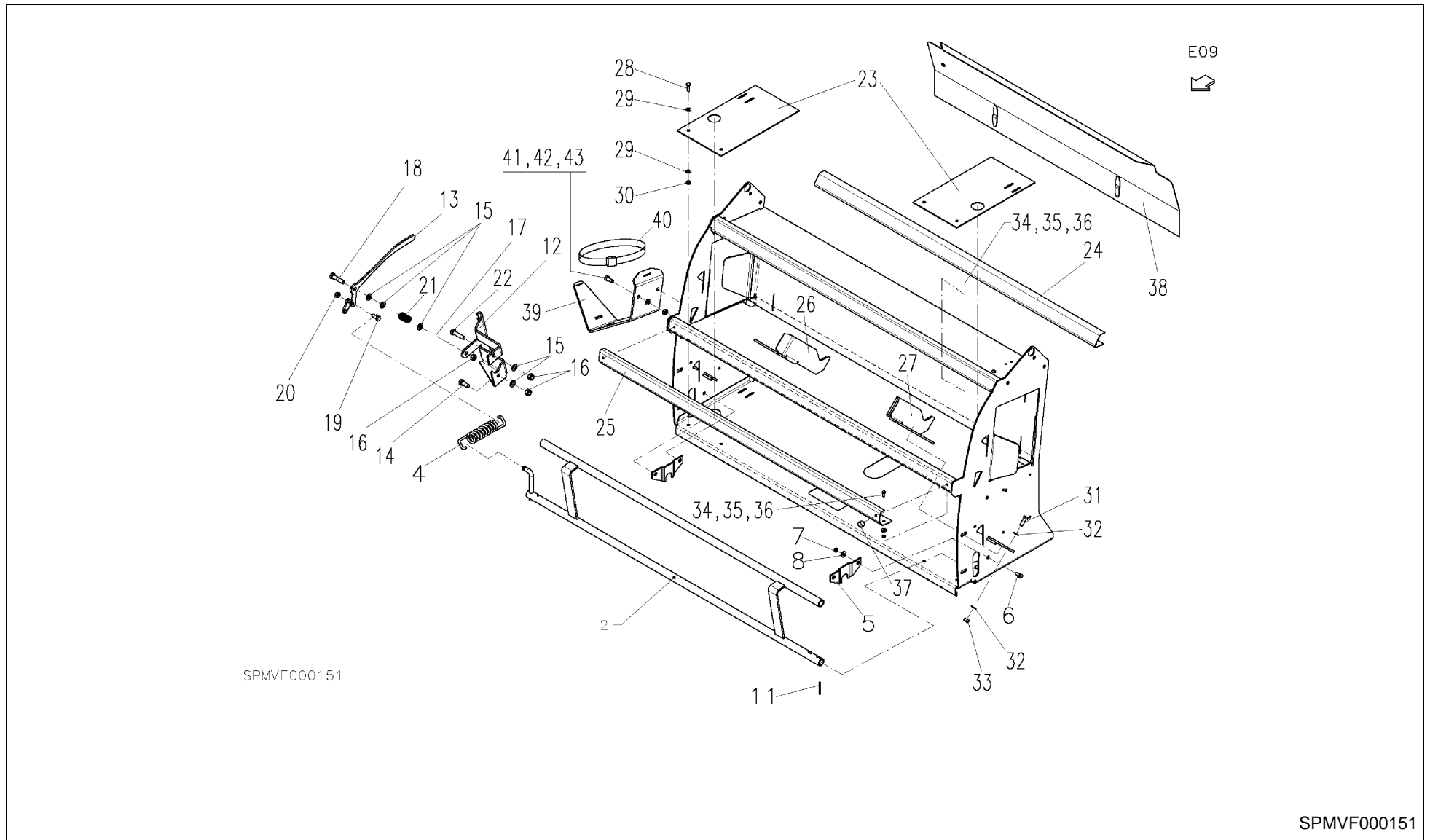
RF 235 / net binding roller





RF 235 / net binding roller

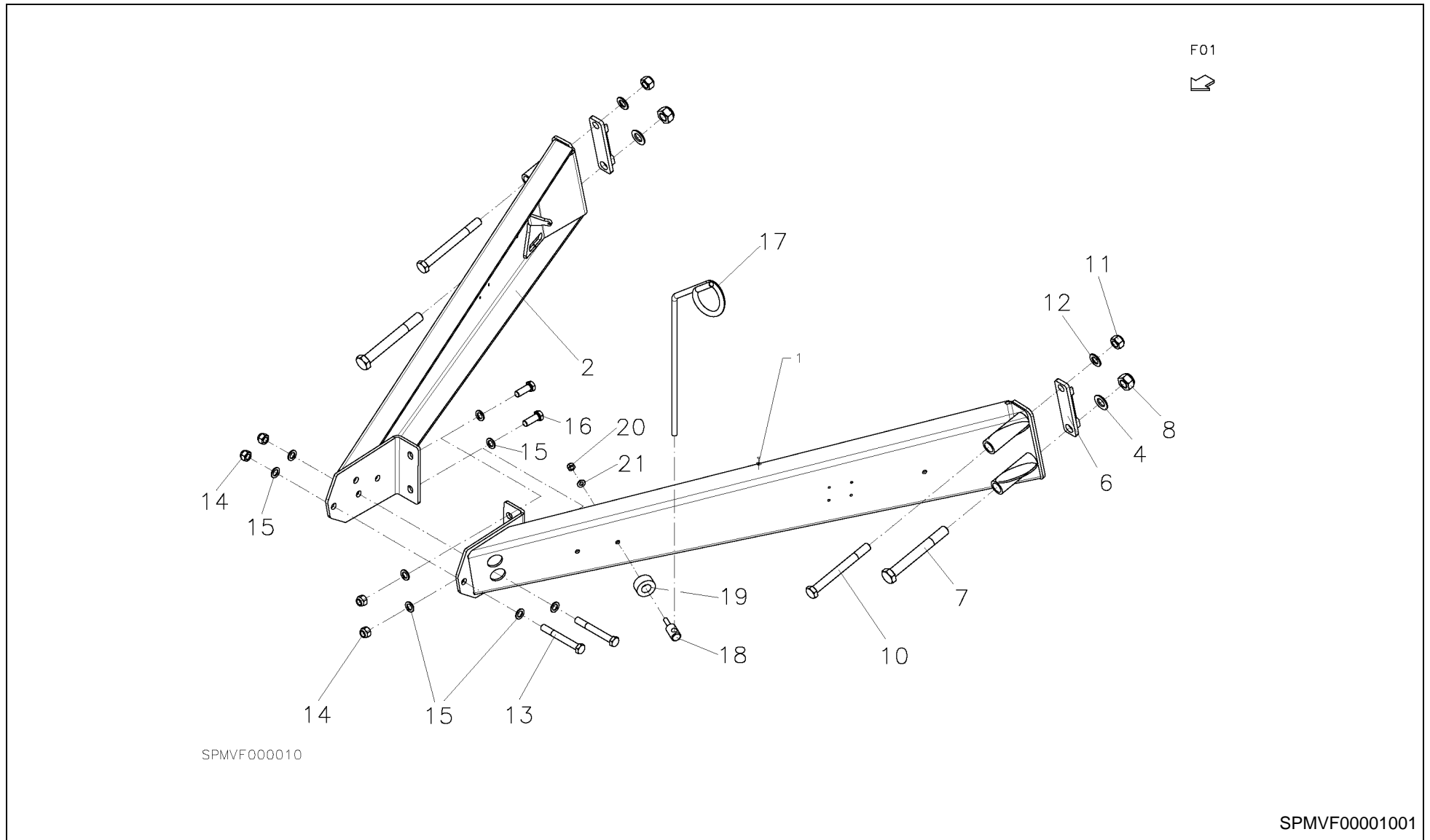
PosNo.	Part No.	Qty.	Description	Remark
2	VF16614738	1	ROLLER	
3	KG01355200	2	BALL BEARING 6004-2RS	
4	KG01128200	1	CIRCLIP-B 42 X 1.75	
5	VF16614376	1	V-BELT PULLEY	
6	KG01188462	1	TENSION PIN 5X50	
7	VF16617116.86	1	FLANGE	
8	VF06209473	2	HEX.HEAD SCREW	
9	KG01267961	4	WASHER M20	
10	VF16653679	1	SENSOR INDUCTOR	
14	VGTP0011	1	SHIM SET	
16	VF16654358	1	NETROLLER	
18	VF16618413.86	1	TENSION LEVER LEFT	
19	KG00474061	1	HEX. SCREW M10X20 8.8	
20	KG01052061	1	HEX. NUT M10 8	
21	VF16617124.86	1	TENSION LEVER RIGHT	
22	KG01267461	2	WASHER M10	
23	KG01249661	2	SPLIT PIN 3.2X16 ST	
24	VF06215539	2	TENSION SPRING	
25	VF16653616	2	M8X30 109A3C/TRUSS HEAD SCREW	
26	KG01051961	2	HEX. NUT M8 8	
27	KG01067561	2	LOCK NUT M8 8	
48	VF16618480.86	1	LEVER	
49	KG01267761	1	WASHER M16	
50	KG01107400	1	CIRCLIP-A 16 X 1	
51	VF01142017.86	1	TENSION ROLLER	
52	KG01107300	1	CIRCLIP-A 15 X 1	
53	VF16618430.86	2	SPACER	
55	VF01174958	1	SUPPORT PLATE	
56	VF16617149	1	INTERMEDIATE RING	
57	VF16617148.86	1	FLANGED HUB	
58	KG00337861	1	HEX. BOLT M12X120 10.9	
59	KG01267561	1	WASHER M12	
60	VF16617110	2	V-BELT PULLEY HALF	
61	KG00468961	4	HEX. SCREW M6X20 8.8	
62	KG00468761	6	HEX. SCREW M6X16 8.8	
63	KG01067361	10	LOCK NUT M6 8	
64	VF16617104	1	V-BELT	
65	VF06214193	2	WASHER	
71	VF01138424	2	GR.BALL BEARING	





RF 235 / net brake

PosNo.	Part No.	Qty.	Description	Remark
2	VF16654045.86	1	BRAKE-YOKE	
4	VF16617109	1	DRAW SPRING	
5	VF16652927.86	2	PLATE	
6	KG00471961	4	HEX. SCREW M8X20 8.8	
7	KG01067561	4	LOCK NUT M8 8	
8	KG01267361	4	WASHER M8	
11	KG01188462	1	TENSION PIN 5X50	
12	VF16654187.86	1	SUPPORT	
13	VF16654909.86	1	LEVER	
14	KG00476561	2	HEX. SCREW M12X30 8.8	
15	KG01267561	5	WASHER M12	
16	KG01068961	2	LOCK NUT M12 10	
17	KG01052161	1	HEX. NUT M12 8	
18	KG00476961	1	HEX. SCREW M12X50 8.8	
19	KG00355261	1	HEX. BOLT M10X40 8.8	
20	KG01068861	1	LOCK NUT M10 10	
21	VF01142838	1	COMPRESSION SPRING	
22	KG00476961	1	HEX. SCREW M12X50 8.8	
23	VF16655303.86	2	PLATE	
24	VF16655302.86	1	PLATE	
25	VF16655301.86	1	PLATE	
26	VF16654982.86	1	STOP RIGHT	
27	VF16654983.86	1	STOP LEFT	
28	KG00472161	4	HEX. SCREW M8X25 8.8	
29	KG01273561	8	WASHER M8	
30	KG01067561	4	LOCK NUT M8 8	
31	KG00474361	4	HEX. SCREW M10X30 8.8	
32	KG01267461	8	WASHER M10	
33	KG01068861	4	LOCK NUT M10 10	
34	KG00468761	12	HEX. SCREW M6X16 8.8	
35	VGND3034V	12	WASHER, PLAIN 24/6MM	
36	KG01067361	12	LOCK NUT M6 8	
37	VF01142826	2	RUBBER PAD	
38	VF16653495.86	1	COVER PLATE	
39	VF16655467.86	1	SUPPORT	
40	VF16655076	1	BELT L=1200 MM	
41	KG00474261	2	HEX. SCREW M10X25 8.8	
42	KG01267461	4	WASHER M10	
43	KG01068861	2	LOCK NUT M10 10	

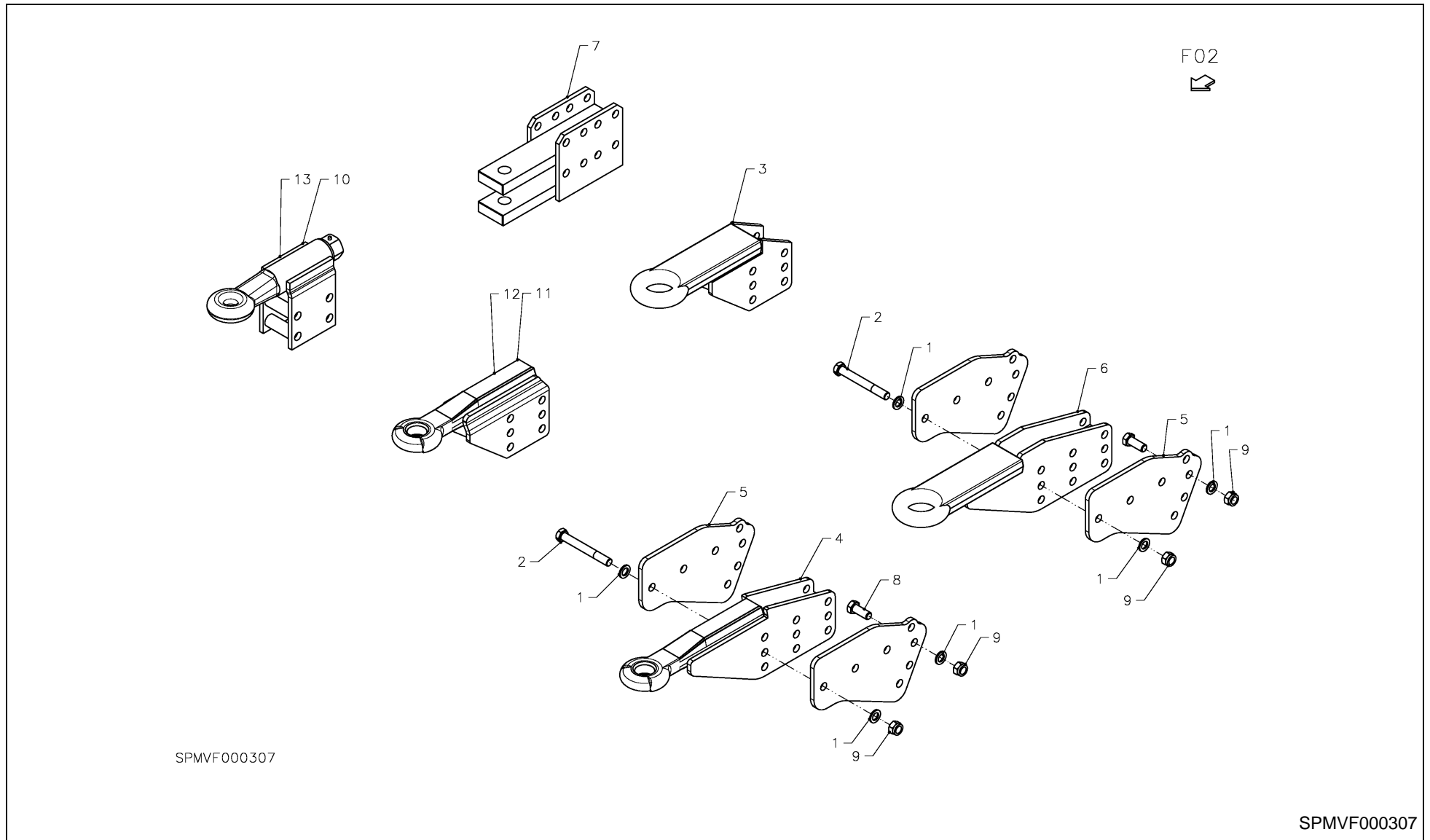




RF 235 / traction device

PosNo.	Part No.	Qty.	Description	Remark
1	VF16654141.86	1	TOWPOLE	
2	VF16654142.86	1	TOWPOLE	
4	VF16618479	2	WASHER	
6	VF16651791.86	2	LEDGE	
7	VF16651851	2	HEAD SCREW	
8	VF16651852	2	WHEEL NUT	
10	KG00367961	2	HEX. BOLT M20X200 8.8	
11	KG01068161	2	LOCK NUT M20 8	
12	KG01267961	2	WASHER M20	
13	VF16654134	2	SCREW/BOLT	
14	KG01069161	4	LOCK NUT M16 10	
15	KG01267761	8	WASHER M16	
16	KG00480361	2	HEX. SCREW M16X45 8.8	
17	UH415830-K	1	HOSE SECURING BAR	
18	UH415829	1	HOSE SECURING BAR SCREW M10	
19	UH415828	1	COLLAR Å#25,5-Å#50X24	
20	KG01068861	1	LOCK NUT M10 10	
21	KG01267461	1	WASHER M10	

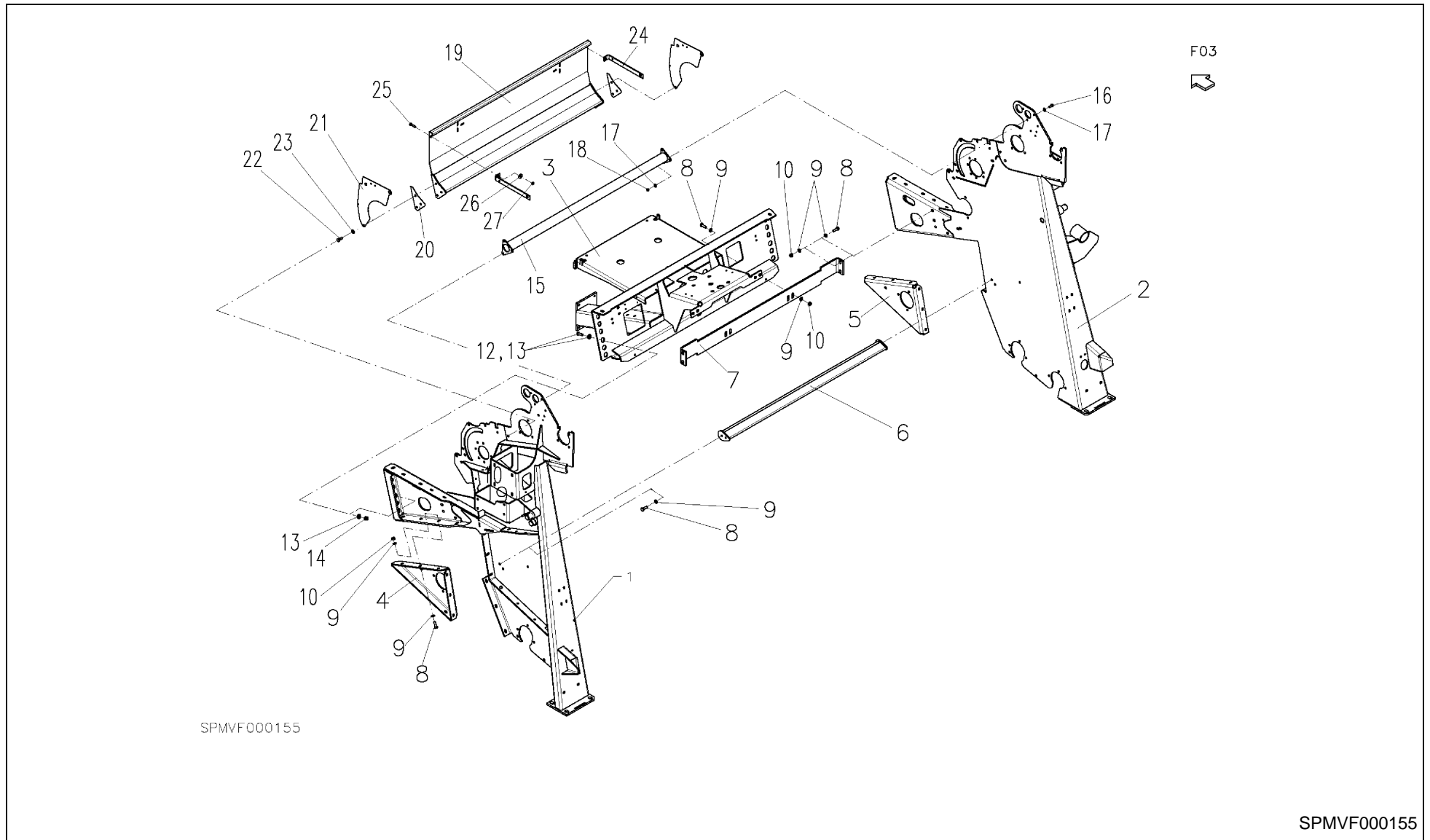
RF 235 / eye bolts





RF 235 / eye bolts

PosNo.	Part No.	Qty.	Description	Remark
1	KG01267761	10	WASHER M16	
2	VF16654134	3	SCREW/BOLT	
3	VF16654615.86	1	DRAWBAR EYE	
4	VF16655506	1	EYE BOLT 40MM WELDED	
5	VF16655509.86	2	BLECH	
6	VF16655511.86	1	HITZUGOESE 52MM GSW.	
7	VG25276045	1	HITCH CLEVIS	
8	KG00458961	4	HEX. SCREW M16X40 10.9	
9	KG01069161	7	LOCK NUT M16 10	
10	VGWA01657	1	EYE, DRAW BAR	
11	VGWA0647	1	EYE, DRAW BAR	
12	VGWP0132	1	EYE, DRAW BAR	
13	VG25265014	1	EYE, DRAW BAR	



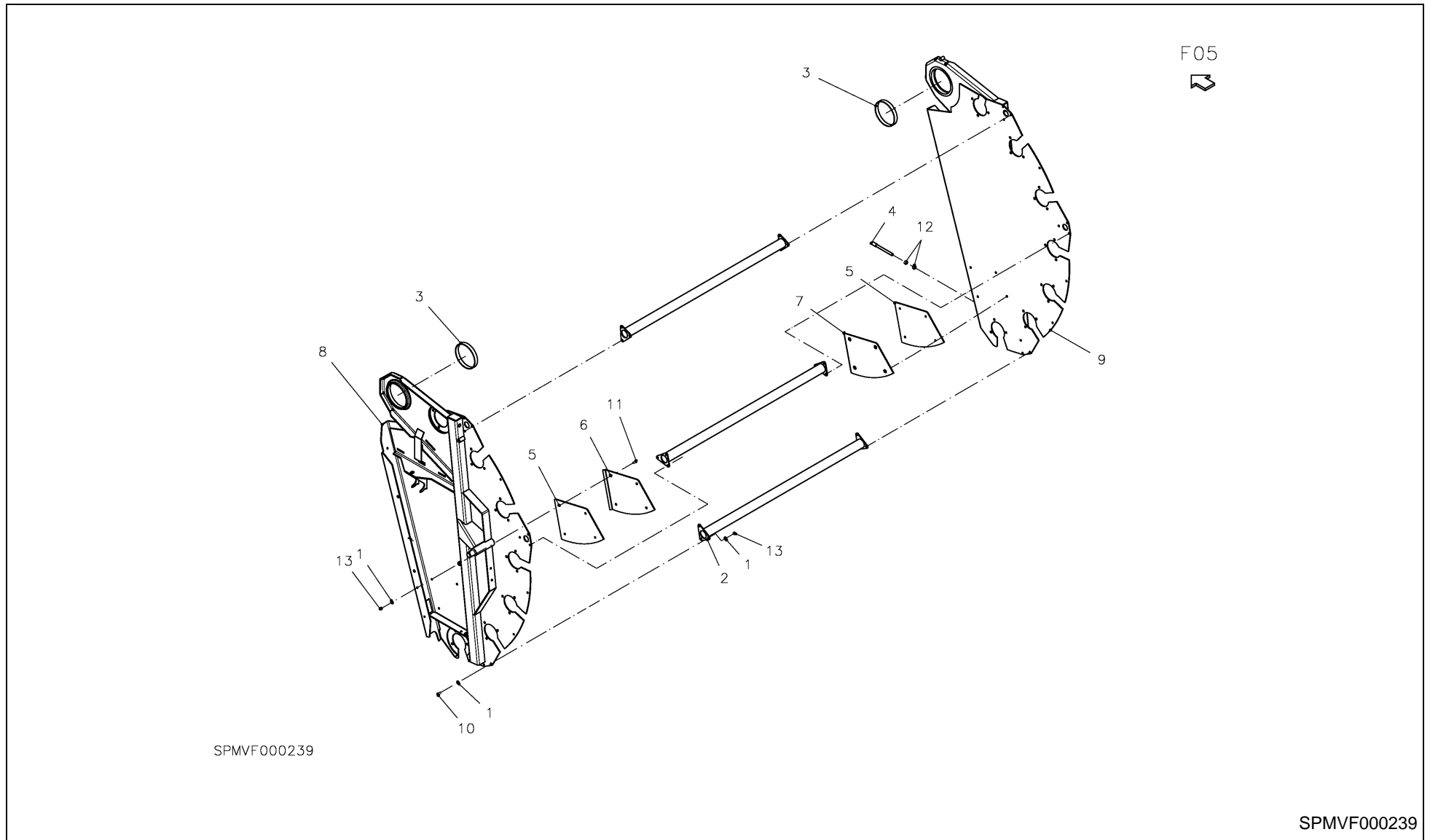
SPMVF000155

SPMVF000155

RF 235 / frame



PosNo.	Part No.	Qty.	Description	Remark
1	VF16655370.86	1	RETAINER LEFT	
2	VF16655371.86	1	SIDE MEMBER RIGHT	
3	VF16653040.86	1	GEAR BOX SUPPORT	
4	VF16651436	1	ANGLE PART	
5	VF16651437	1	ANGLE PART	
6	VF16650304.86	1	DROP/TUBE	
7	VF16617819.86	1	SUPPORT	
8	KG00474361	24	HEX. SCREW M10X30 8.8	
9	KG01267461	50	WASHER M10	
10	KG01067661	25	LOCK NUT M10 8	
12	KG00476461	4	HEX. SCREW M12X25 8.8	
13	KG01267561	8	WASHER M12	
14	KG01068961	4	LOCK NUT M12 10	
15	VF16651002.86	1	PIPE/TUBE	
16	KG00471961	6	HEX. SCREW M8X20 8.8	
17	VF06214246	12	WASHER	
18	KG01067561	6	LOCK NUT M8 8	
19	VF16651817	1	SUPPORT	
20	VF16651820	2	ADJ.SHEET	
21	VF16652877	2	SHEET	
22	VF01173914	4	HEX.BOLT	
23	KG01267461	40	WASHER M10	
24	VF16651740	2	FIXING ANGLE	
25	KG00472261	2	HEX. SCREW M8X30 8.8	
26	VF06214192	6	WASHER	
27	KG01067561	2	LOCK NUT M8 8	

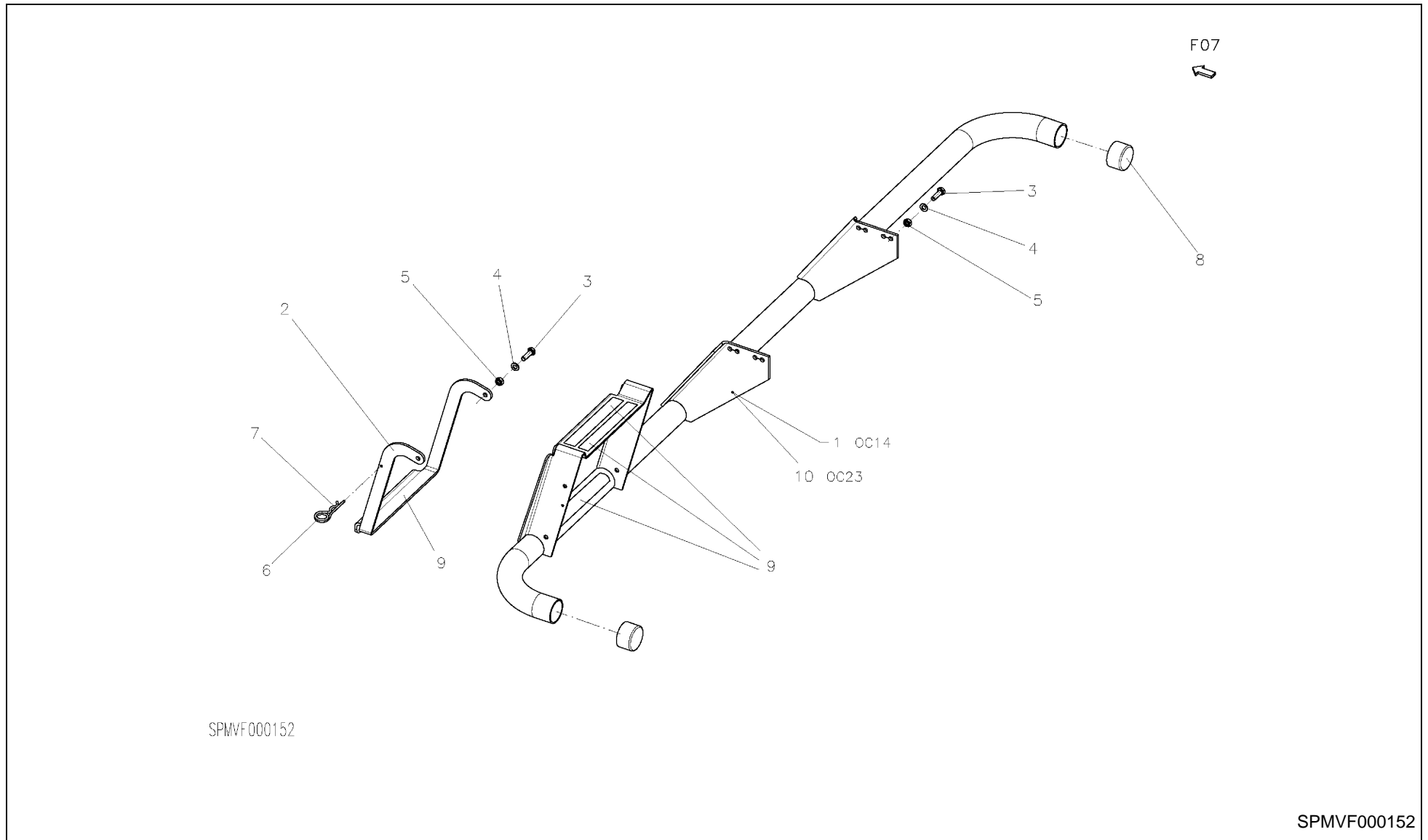




RF 235 / frame rear cover

PosNo.	Part No.	Qty.	Description	Remark
1	VF06214246	44	WASHER	
2	VF16651002.86	3	PIPE/TUBE	
3	VF16651482	2	BUSH	
4	VF16653964	1	ADJUSTING SCREW	
5	VF16655307.86	2	PLATE	
6	VF16655308.86	1	PLATE LEFT	
7	VF16655309.86	1	PLATE RIGHT	
8	VF16655390.86	1	SIDE PART LEFT WELD.	
9	VF16655391.86	1	SIDE MEMBER RIGHT	
10	KG00471961	18	HEX. SCREW M8X20 8.8	
11	KG00861661	8	COUNTERSUNK HEAD SCREW M8X20 8.8	
12	KG01052161	2	HEX. NUT M12 8	
13	KG01067561	24	LOCK NUT M8 8	

RF 235 / CE-protective yoke step



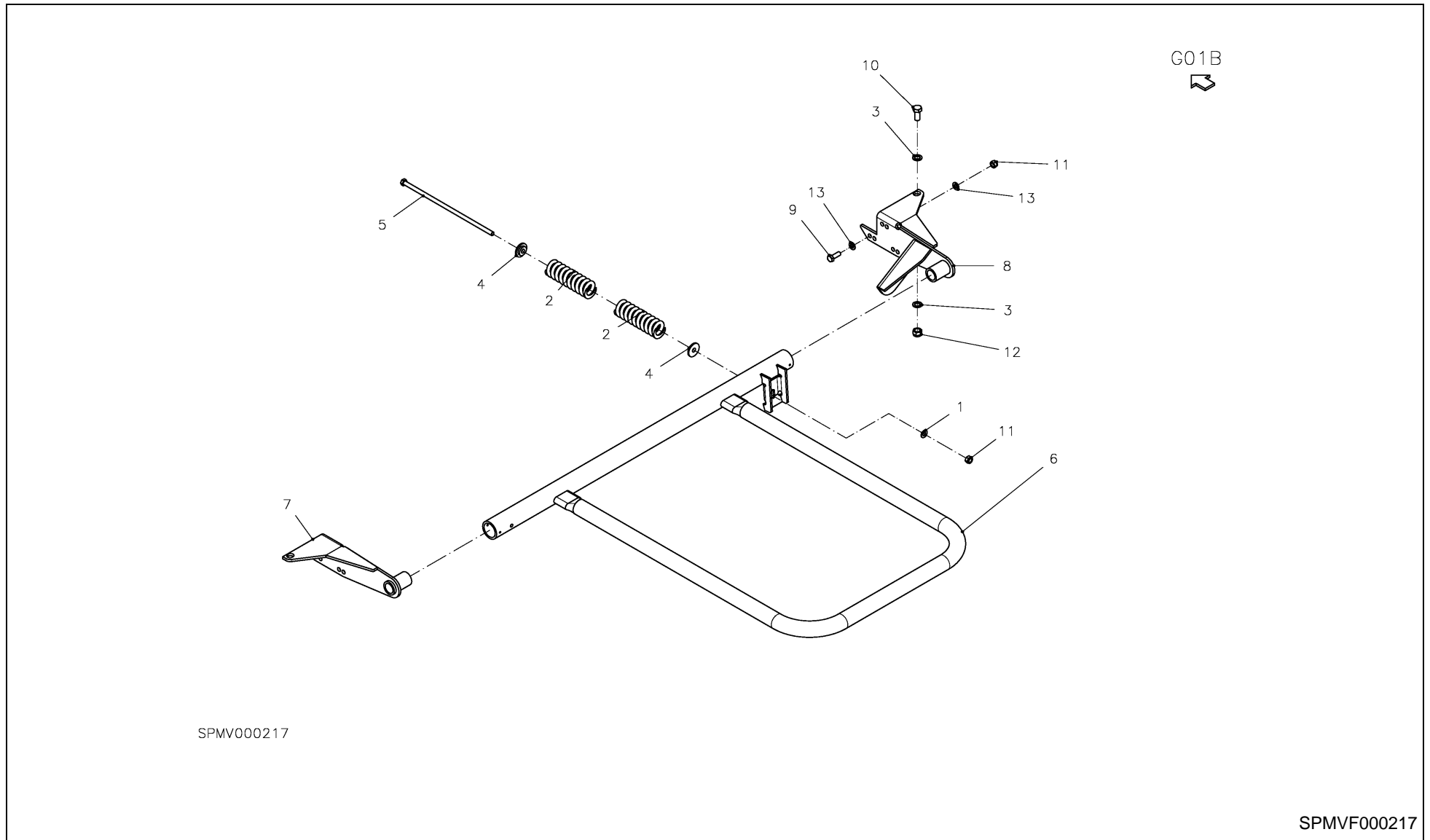
SPMVF000152

SPMVF000152



RF 235 / CE-protective yoke step

PosNo.	Part No.	Qty.	Description	Remark
1	VF16652939.86	1	YOKE	
2	VF16652934.86	1	STEPS	
3	KG00474461	6	HEX. SCREW M10X35 8.8	
4	KG01267461	8	WASHER M10	
5	KG01068861	6	LOCK NUT M10 10	
6	VF06564448	1	CORD	
7	VGPZ160V	1	SPRING CLIP DIAM 3MM	
8	VF16615400	2	CAP	
9	VF16519134	4	FACING	
10	VF16652942.86	1	YOKE	

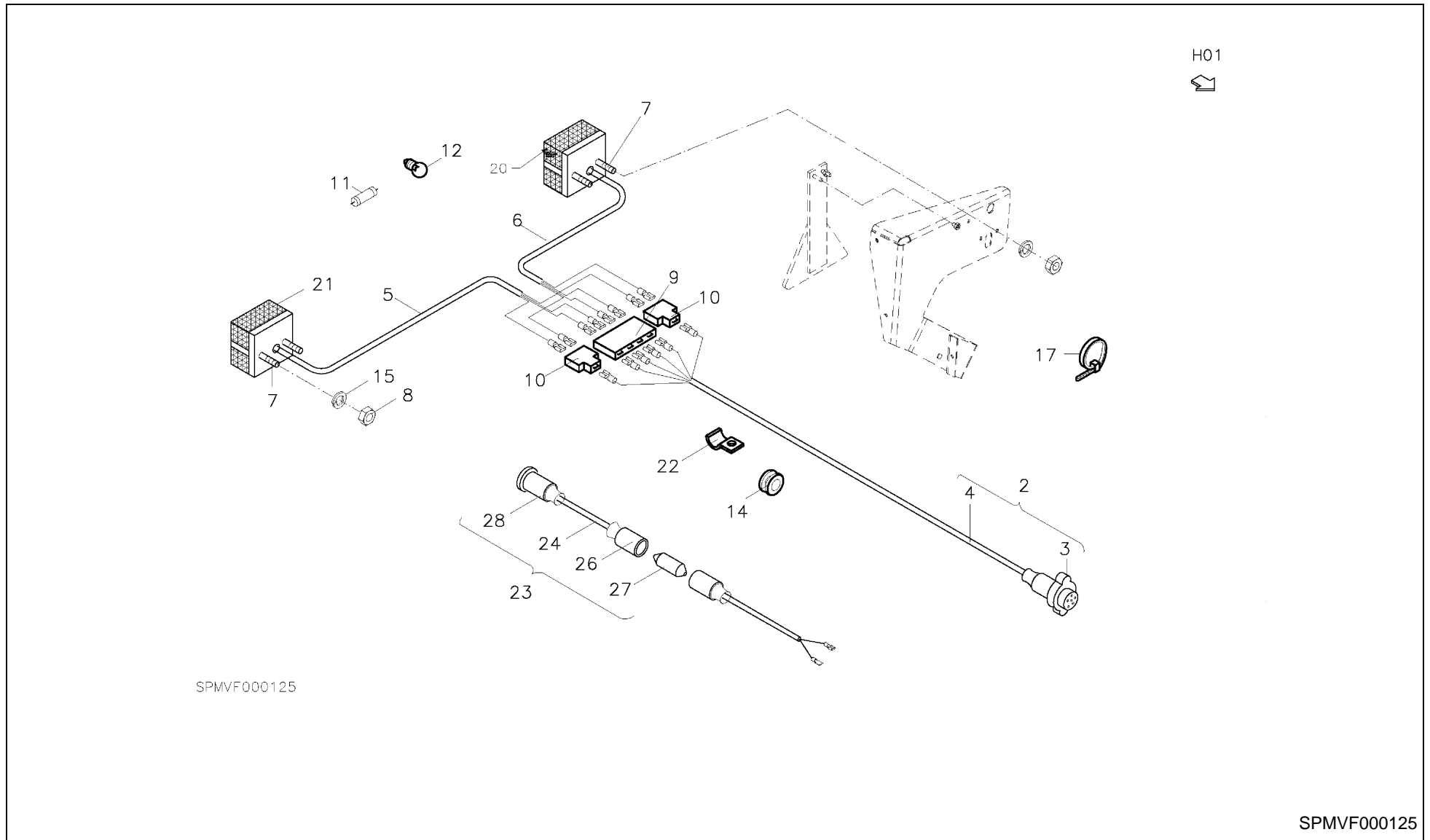


RF 235 / bale chute



PosNo.	Part No.	Qty.	Description	Remark
1	VF01116029	10	CUP-SPRING	
2	VF01142844	2	COMPRESSION SPRING	
3	KG01267761	4	WASHER M16	
4	VF16618304	2	WASHER	
5	VF16618305	1	HEX. HEAD SCREW	
6	VF16618306.86	1	RETAINER	
7	VF16652237.86	1	SUPPORT	
8	VF16652238.86	1	SUPPORT	
9	KG00476661	6	HEX. SCREW M12X35 8.8	
10	KG00480161	2	HEX. SCREW M16X35 8.8	
11	KG01068961	7	LOCK NUT M12 10	
12	KG01069161	2	LOCK NUT M16 10	
13	KG01267561	12	WASHER M12	

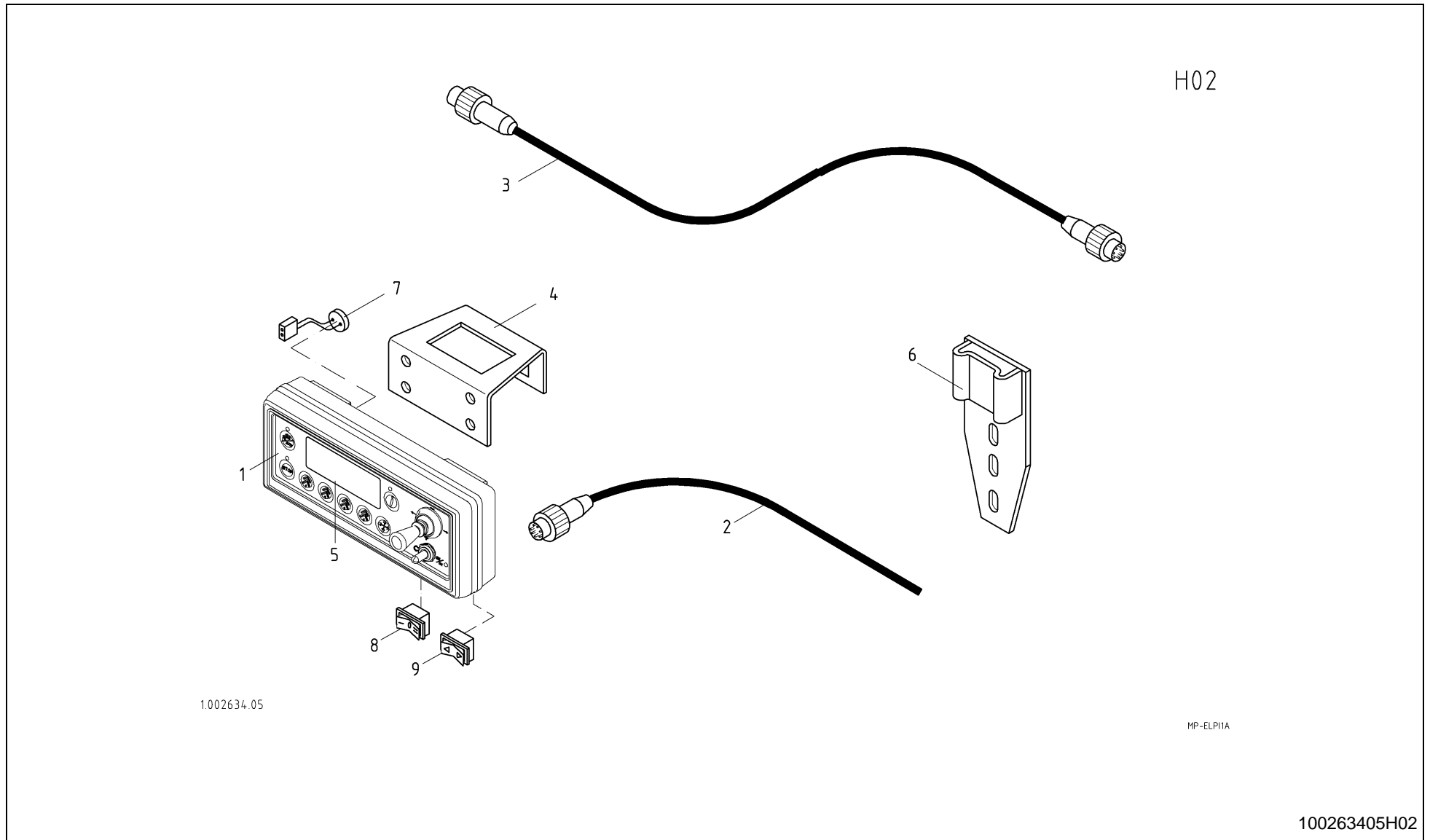
RF 235 / lighting system





RF 235 / lighting system

PosNo.	Part No.	Qty.	Description	Remark
2	VF16618166	1	CABLE WITH PLUG	
3	VGBR804	1	7-PIN CONNECTOR	X 2
4	VF16618167	1	CABLE	X 2
5	VF16615895	1	CABLE	
6	VF16615894	1	CABLE	
7	VF01105524	4	CHEESE HEAD SCREW	
8	KG01051661	8	HEX. NUT M5 8	
9	VF06213975	1	CABLE-CONNECTOR	
10	VF01162414	2	CABLE CONNECTOR	
11	VF01121409	2	BULB	
12	VF01102550	4	BULB	
14	VF01237560	4	RUBBER GROMMET	
15	KG01281461	4	SPRING WASHER M5	
17	VF06216479	10	CABLE BINDER	
20	VF06217227	1	LAMP	
21	VF06217226	1	LAMP	
22	VF01174951	8	PIPE CLIP	
23	VF16616665	1	CABLE TO SOCKET	
24	VF16616658	1	LINE	
26	VF06587052	1	SUPPORT	
27	VF01121332	1	FUSE	
28	VF16518571	1	SOCKET	



RF 235 / pilotbox autoform

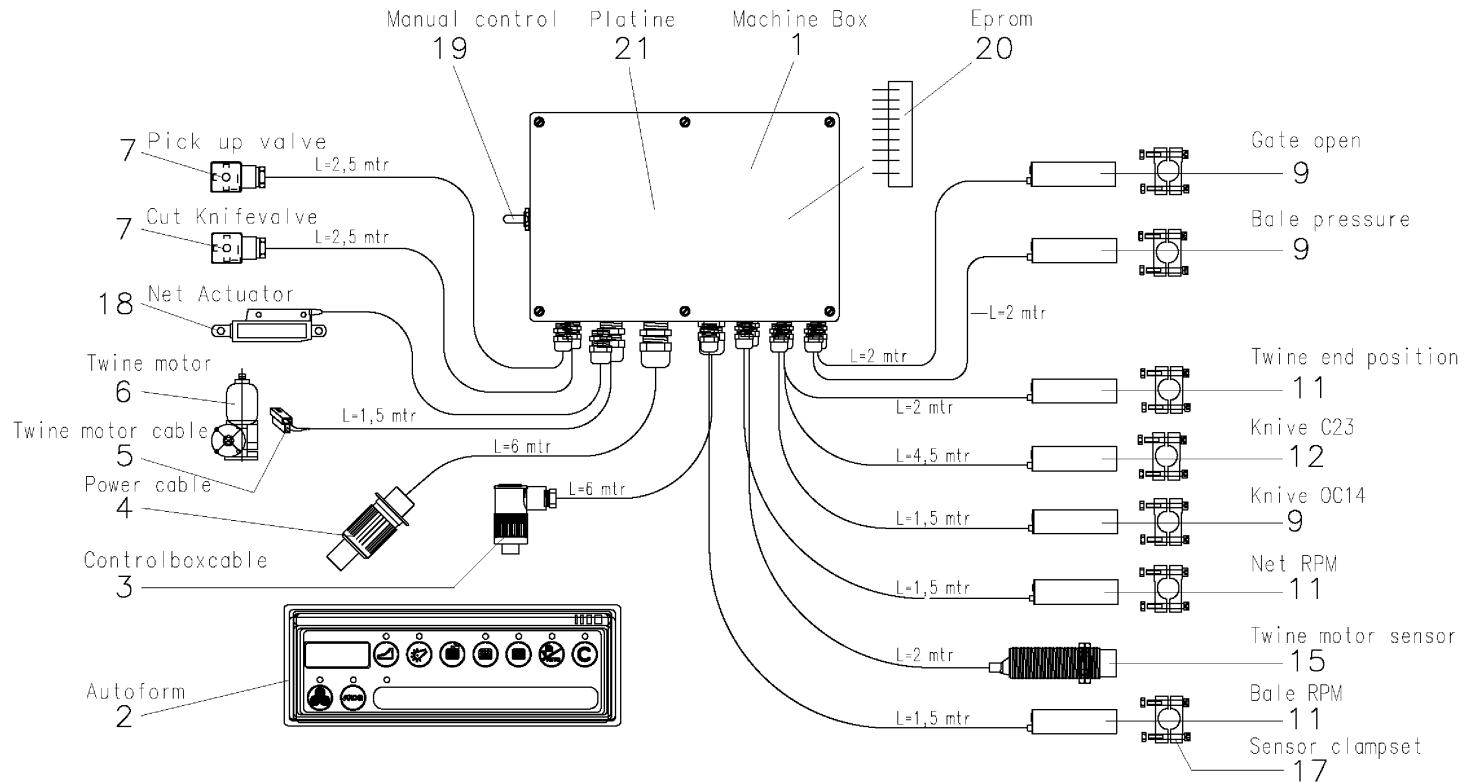


PosNo.	Part No.	Qty.	Description	Remark
1	VNB0526373	1	PILOTBOX BALE WRAPPER	
2	VNB0370573	1	CABLE CAN L=6M	
3	VNB0326573	1	CABLE EXTENSION L=2.5M	
3	VNB0326973	1	CABLE EXTENSION L=1.5M	
4	VF16615810	1	RETAINER	
5	VNB0503473	1	DISPLAY ASSY	
6	VF06570724.86	1	SUPPORT	
7	VNB0522973	1	CONNECTOR ASSY BUZZER L=0.1M	
8	VF16617385	1	SWITCH	
9	VF16617386	1	FEELER-ROCKER	

RF 235 / electronic controler Autoform OC14/OC23



H04



SPMVF000094

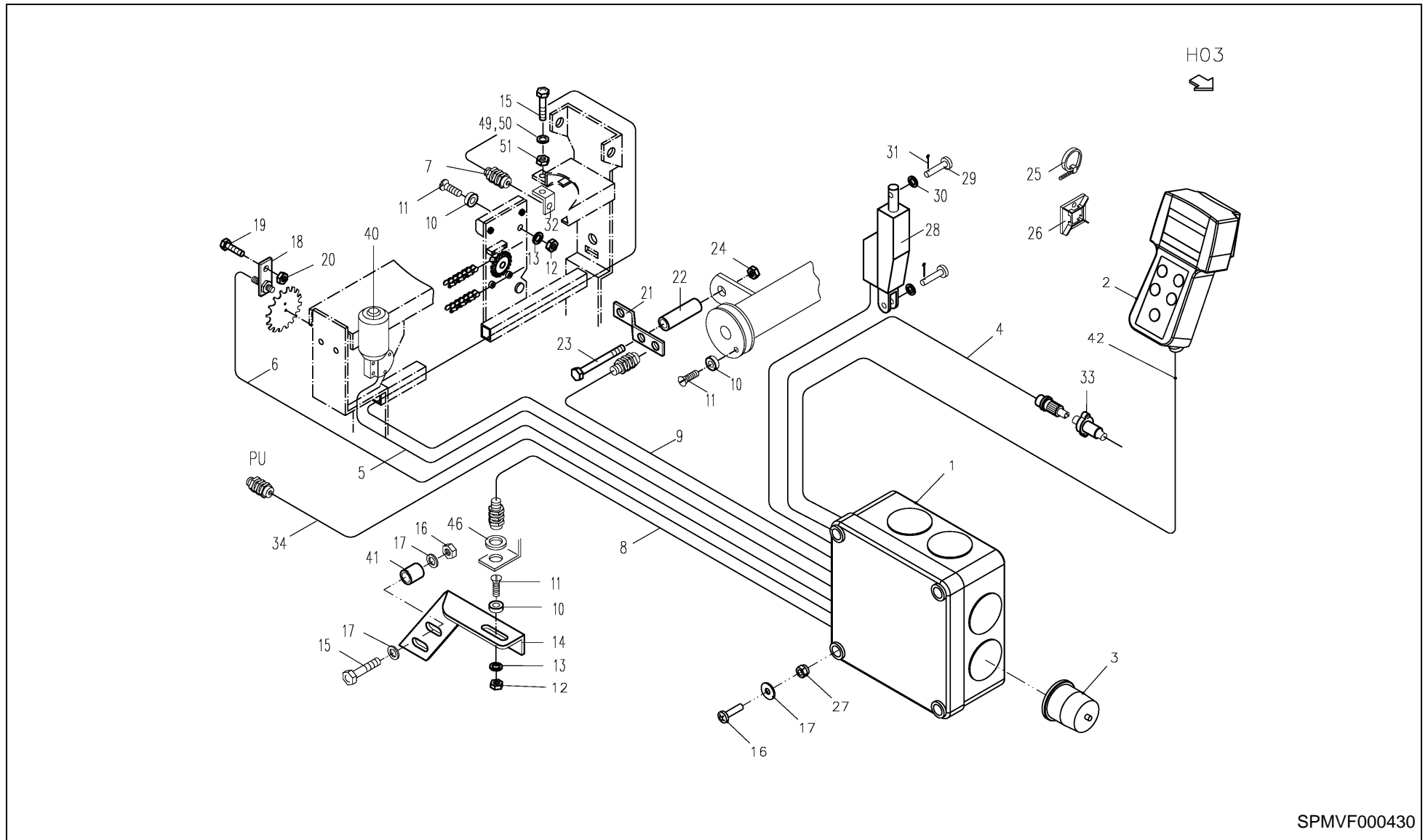
SPMVF000094

RF 235 / electronic controler Autoform OC14/OC23



PosNo.	Part No.	Qty.	Description	Remark
1	VNB0557073	1	MACHINEBOX MPRF530 AUTOFORM TN	
2	VN79730016	1	PILOTBOX MP130 RPFIX.	
3	VNB0260173	1	CABLE CAN L=6M	
5	VNB0260073	1	CABLE MOTOR L=1.5M	
6	VF16615352	1	EL. GEARMOTOR MR 62 12 V 1VEL	
7	VNB0259973	2	CABLE VALVE L=2.5M	
9	VNB0446473	3	SENSOR ASSY PROX PLAST L=2M	
11	VNB0446773	3	SENSOR ASSY PROX PLAST L=1.5M	
12	VNB0446873	1	SENSOR ASSY PROX PLAST L=4.5M	
15	VNB0446973	1	SENSOR ASSY PROX M12 NS L=2M	
17	VN31903304	7	SET SENSOR CLAMP	
18	VF16658161	1	ACTUATOR	
19	VNB0504473	1	CONNECTOR ASSY SWITCH MANUAL	
20	VNB0602073	1	EPROM AF15X13X V1.48	
21	VNB0419073	1	PCB RPFIX	

RF 235 / STEERING AUTOPLUS



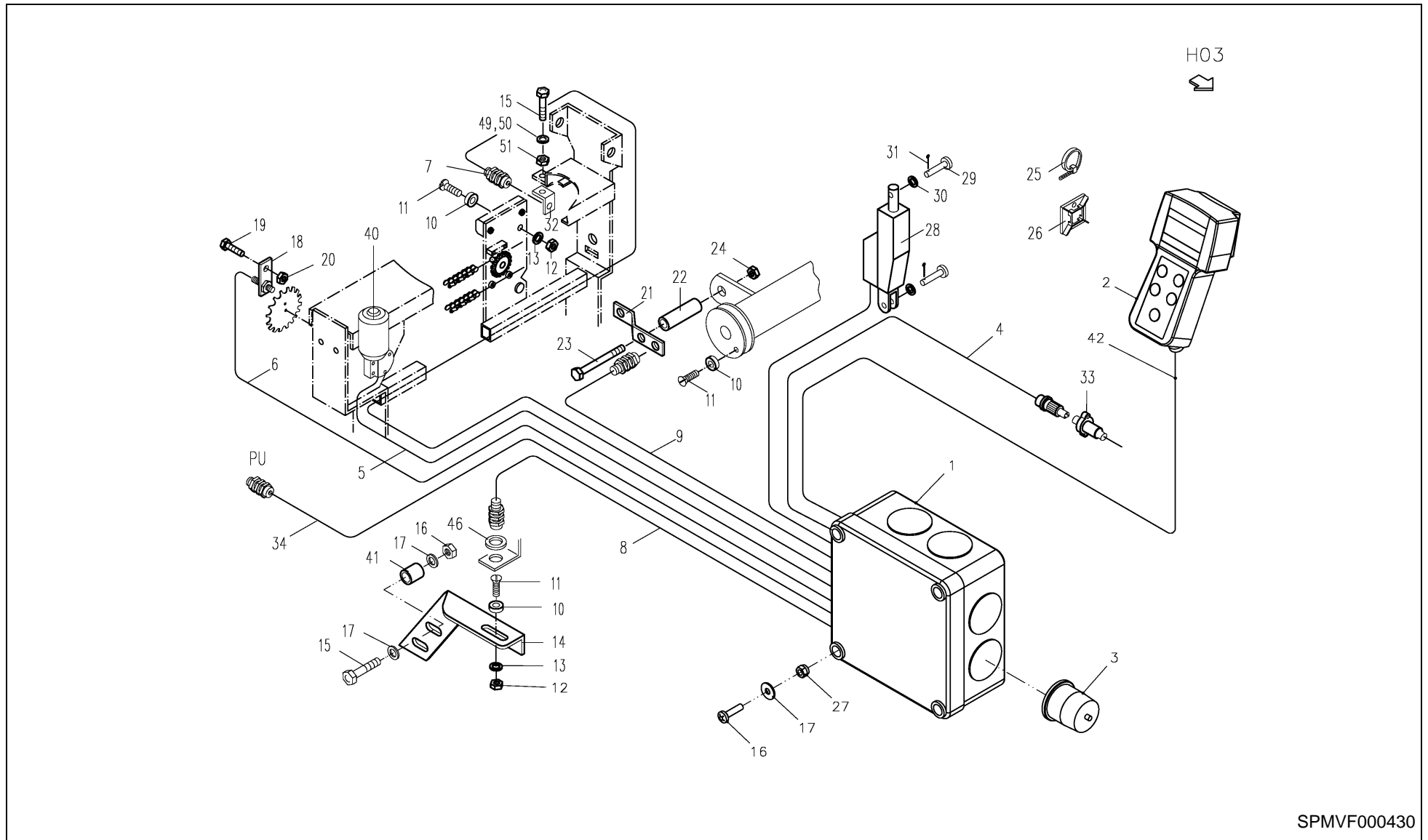
SPMVF000430



RF 235 / STEERING AUTOPLUS

PosNo.	Part No.	Qty.	Description	Remark
1	VNB0572773	1	MACHINE BOX AUTO PLUS	
2	MT00000189	1	PILOTBOX AUTOPLUS NO CABLES	
3	VNB0279773	1	CONNECTOR ASSY FLASH L=0.04M	
4	VNB0274573	1	CABLE POWER L=6M	
5	VF16617537	1	CABLE MOTOR TWINE	
6	VF16615990	1	SENSOR TWINE ENGINE	
7	VNB0435973	1	SENSOR ASSY REED L=3.3M	
8	VF16616979	1	SENSOR-BALE CHUTE	
9	VNB0435973	1	SENSOR ASSY REED L=3.3M	
10	VF16514462	2	MAGNET/SOLENOID	
11	KG00891863	2	COUNTERSUNK HEAD SCREW M4X20 4.8	
12	KG01067161	2	LOCK NUT M4 8	
13	KG01267061	2	WASHER M4	
14	VF16652409.86	1	RETAINER	
15	KG00351261	3	HEX. BOLT M6X50 8.8	
16	KG00672863	6	CHEESE HEAD SCREW M4X16 4.8	
17	KG01267061	32	WASHER M4	
18	VF16615393	1	RETAINER	
19	KG00471761	1	HEX. SCREW M8X16 8.8	
20	KG01067561	1	LOCK NUT M8 8	
21	VF16617157.86	1	SUPPORT FOR SENSOR	
22	VF16617158	1	INTERMEDIATE TUBE	
23	KG00356461	1	HEX. BOLT M10X110 8.8	
24	KG01068861	1	LOCK NUT M10 10	
25	VF06216479	29	CABLE BINDER	
25	VF16619620	1	CABLE BINDER	
26	VF16613283	10	CABLE RETAINER	
27	KG01067161	4	LOCK NUT M4 8	
28	VF16658161	1	ACTUATOR	
29	VF06210002	2	PIN	
30	KG01267461	2	WASHER M10	
31	KG01249661	2	SPLIT PIN 3.2X16 ST	
32	VF16617574	1	ANGLE RETAINER	
33	VF16616665	1	CABLE TO SOCKET	
33	VF16518571	1	SOCKET	
33	VF01121332	1	FUSE	
34	VNB0278373	1	CABLE PU	Page 21
40	VF16615352	1	EL. GEARMOTOR MR 62 12 V 1VEL	B E01A
41	VF16518997	2	SPACER TUBE	
42	MT00000190	1	CABLE STEERING L=8M	

RF 235 / STEERING AUTOPLUS

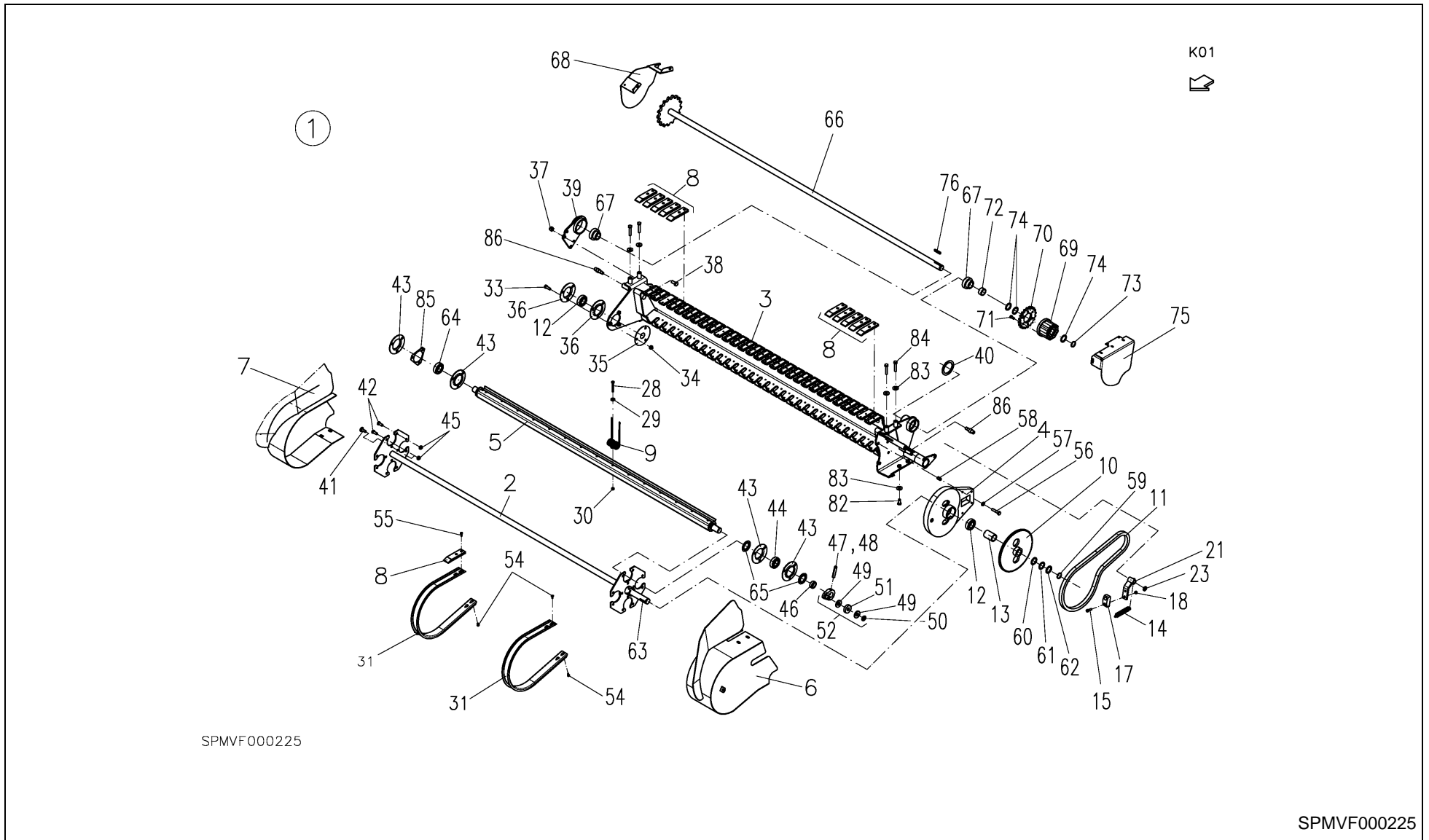


SPMVF000430

RF 235 / STEERING AUTOPLUS



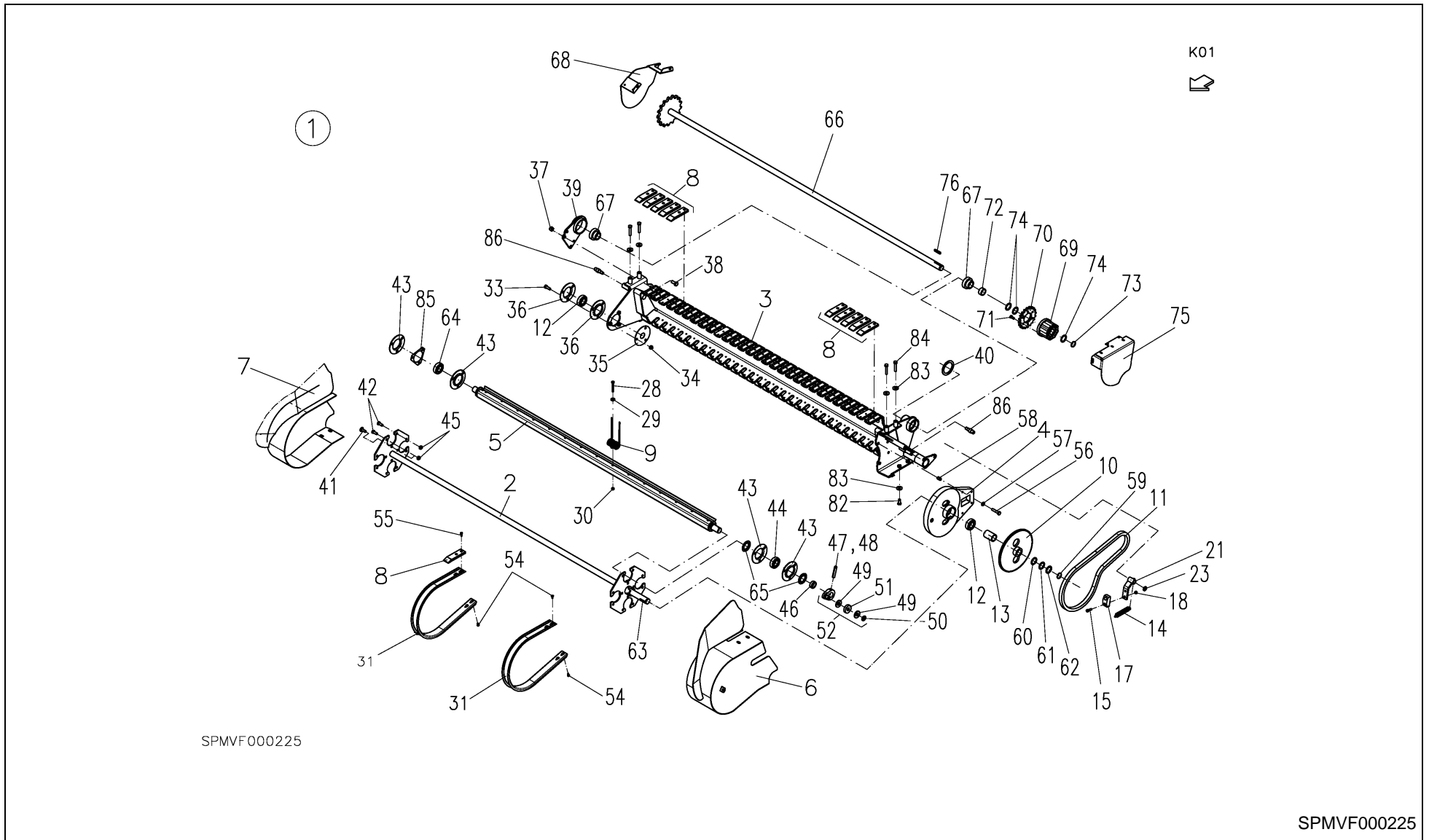
PosNo.	Part No.	Qty.	Description	Remark
46	VGND3030V	2	WASHER, PLAIN	
49	KG01281561	2	SPRING WASHER M6	
50	KG01267261	2	WASHER M6	
51	KG01051761	2	HEX. NUT M6 8	



RF 235 / pick-up OC 14



PosNo.	Part No.	Qty.	Description	Remark
1	VF16653600	1	PU OC14 MONT.	
2	VF16654388.86	1	DRIVE SHAFT	
3	VF16654305.86	1	SUPPORT	
4	VF16617225.86	1	GUIDE	
5	VF16619858.86	1	SPROCKET	
6	VF16618449	1	CHAIN	
7	VF16651190.86	1	SIDE PART RIGHT	
8	VF16618012	10	PLASTIC SEGMENT	
9	VF16618868.86	60	FEDERZINKEN PU 4 WIND. MP 122	
10	VF16616460.86	1	SPROCKET	
11	VF16619824	1	CHAIN	
12	VF06215766	7	ROLLER BEARING	
13	VF16618011.86	1	SPACER TUBE	
14	VF06215540	1	TENSION SPRING	
15	KG00545161	1	CHEESE HEAD SCREW M8X25 8.8	
17	VF06246785	1	BLOC	
18	KG01067561	1	LOCK NUT M8 8	
21	VF16617204.86	1	TENSIONER CHAIN	
23	KG01107400	1	CIRCLIP-A 16 X 1	
28	KG00353661	60	HEX. BOLT M8X60 8.8	
29	KG01273561	60	WASHER M8	
30	VF01397863	60	HEX.NUT	
31	VF16617244	29	SHEET	
33	VF01177466	3	HEX.BOLT	
34	VF01126749	3	HEX.NUT	
35	VF16618811.86	1	WASHER	
36	VF06215783	2	BEARING FLANGE	
37	KG01068961	2	LOCK NUT M12 10	
38	KG00476561	2	HEX. SCREW M12X30 8.8	
39	VF16654925.86	1	SUPPORT	
40	VF16617206		SHIM	
41	VF06209467	5	HEX.HEAD SCREW	
42	KG00474261	12	HEX. SCREW M10X25 8.8	
43	VF06215783	20	BEARING FLANGE	
44	VF06215766	5	ROLLER BEARING	
45	KG01067661	17	LOCK NUT M10 8	
46	VF16617910	5	INTERMEDIATE TUBE	
47	VG61.05.04	5	SPANSTIFT 10X65	
48	KG01190062	5	TENSION PIN 6X70	
49	VF06214938	10	NILOS-RING	



SPMVF000225

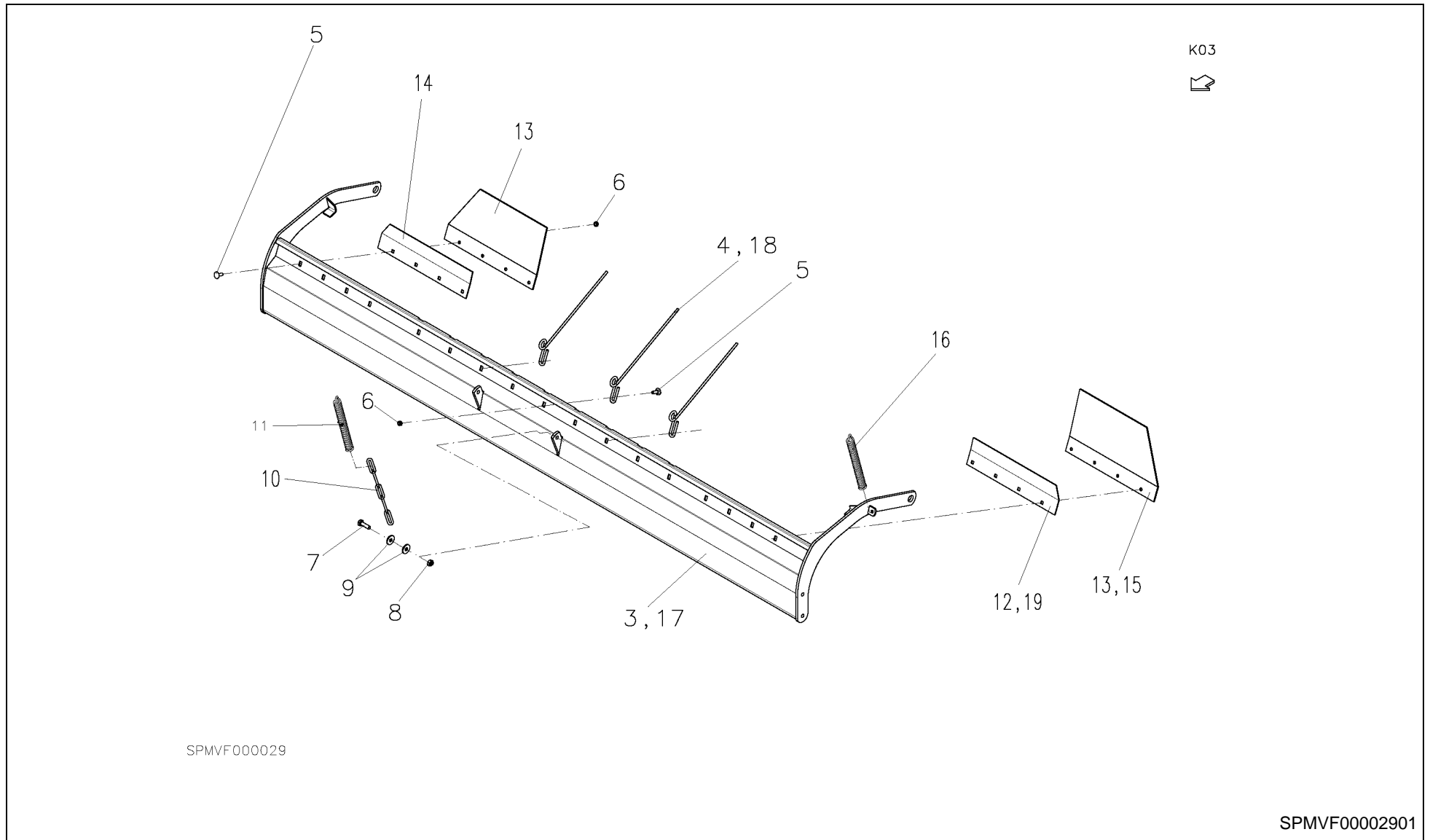
SPMVF000225

RF 235 / pick-up OC 14



PosNo.	Part No.	Qty.	Description	Remark
50	KG01107500	5	CIRCLIP-A 17 X 1	
51	VF06215027	5	ROLLER	
52	VF16615203.86	5	CONTROL ARM	
54	VF06273854	100	HEX. HEAD SCREW	
55	VF01104181	24	CYLINDR. SCREW	
56	VF06209483	4	HEX.HEAD SCREW	
57	KG01267461	4	WASHER M10	
58	VF01157427	2	DOWEL PIN	
59	KG01108862	2	CIRCLIP-A 30 X 1.5	
60	VGMT00310	2	SHIM SET S-X30.2X38	
61	VF06214481	4	SPACER	
62	VGND3138V	4	RING	
63	KG01306900	1	KEY 8X7X32	
64	VF16655049	5	TIGHTENING BEARING DIN 626 RAE 30 NPPB	
65	VF01170940	10	NILOS-RING	
66	VF16654562.86	1	SHAFT	
67	VF16619111	2	BEARING	
68	VF16653542.86	1	FRAME	
69	VF16617905.86	1	CLUTCH	
70	VF16618017.86	1	SPROCKET	
71	VF01173381	6	HEX.HEAD SCREW	
72	VF16614124	1	SPACER TUBE	
73	KG01108862	1	CIRCLIP-A 30 X 1.5	
74	VF06214481	3	SPACER	
75	VF16655442.86	1	COVER	
76	KG01307200	1	KEY 8X7X45	
82	VGND1481V	4	BOLT, LOCK, SPEC.	
83	VGMT152V	8	WASHER, PLAIN 3X11X30	
84	VF06209251	4	HEX. HEAD SCREW	
85	VF16655023	1	WASHER	
86	VF16654756	1	BOLT	

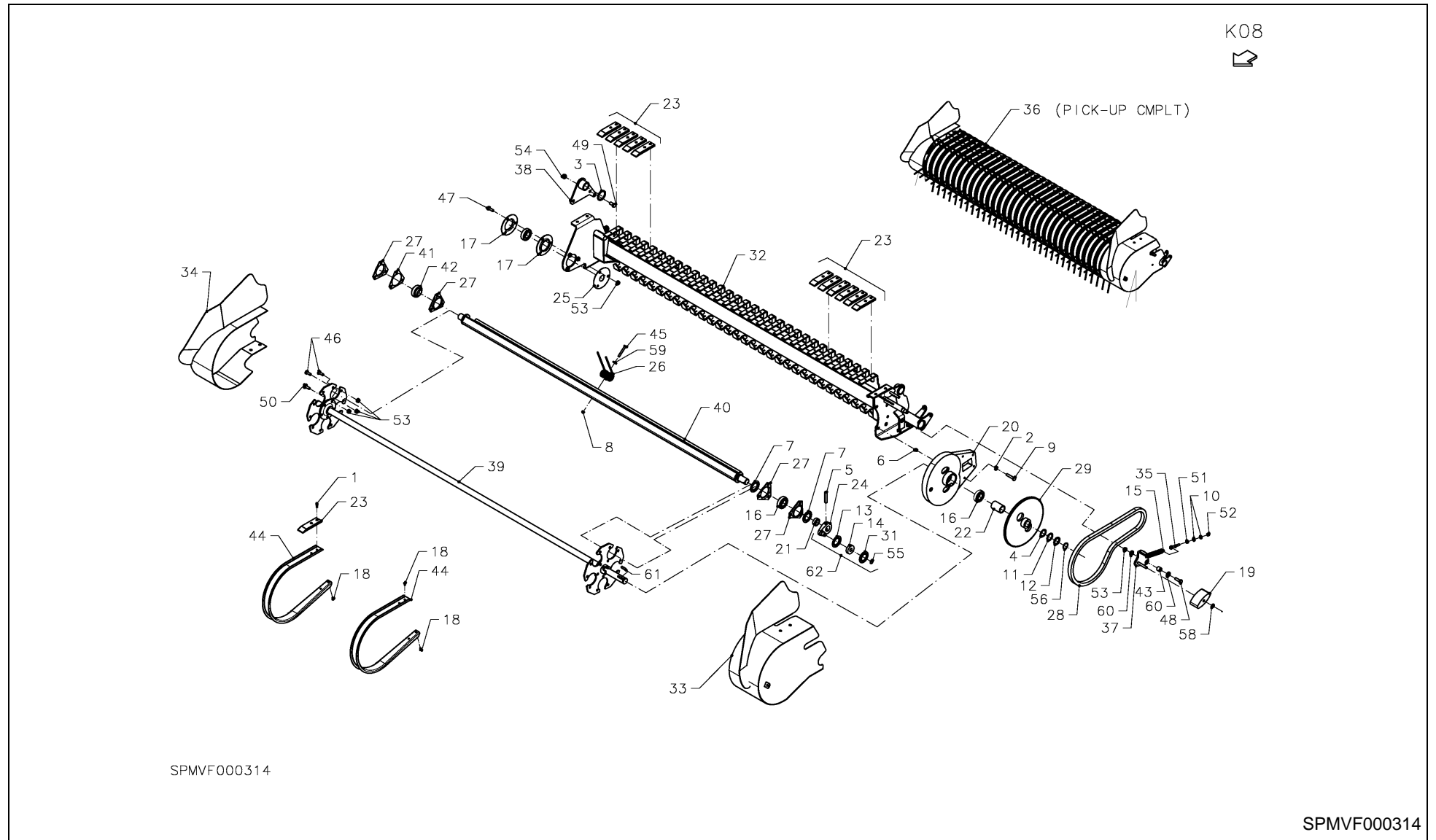
RF 235 / pick-up baffle plate





RF 235 / pick-up baffle plate

PosNo.	Part No.	Qty.	Description	Remark
3	VF16654389.86	1	DEFLECTOR PLATE	OC 14
4	VF16514266	3	SPRING TINE	
5	KG00639061	12	CARRIAGE BOLT M8X20 8.8	
6	VF01397863	12	HEX.NUT	
7	KG00474461	2	HEX. SCREW M10X35 8.8	
8	KG01067661	2	LOCK NUT M10 8	
9	VGMT152V	4	WASHER, PLAIN 3X11X30	
10	VF01397910	2	CHAIN/TRACK	
11	VF01397931	2	DRAW SPRING	
12	VF16517258.86	1	BAFFLE LEFT	
13	VF16517301	1	TAPE/STRAP/ RIGHT	
14	VF16517302.86	1	BAFFLE RIGHT	
15	VF16517257	1	TAPE/STRAP/BAND LEFT	
16	VF01141494	1	TENSION SRING	
17	VF16652199.86	1	BAFFLE PLATE	OC 23
18	VF16618436	3	SPRING TINE	OC 23
19	VF16619481.86	1	BAFFLE	OC 23



K08
🏠

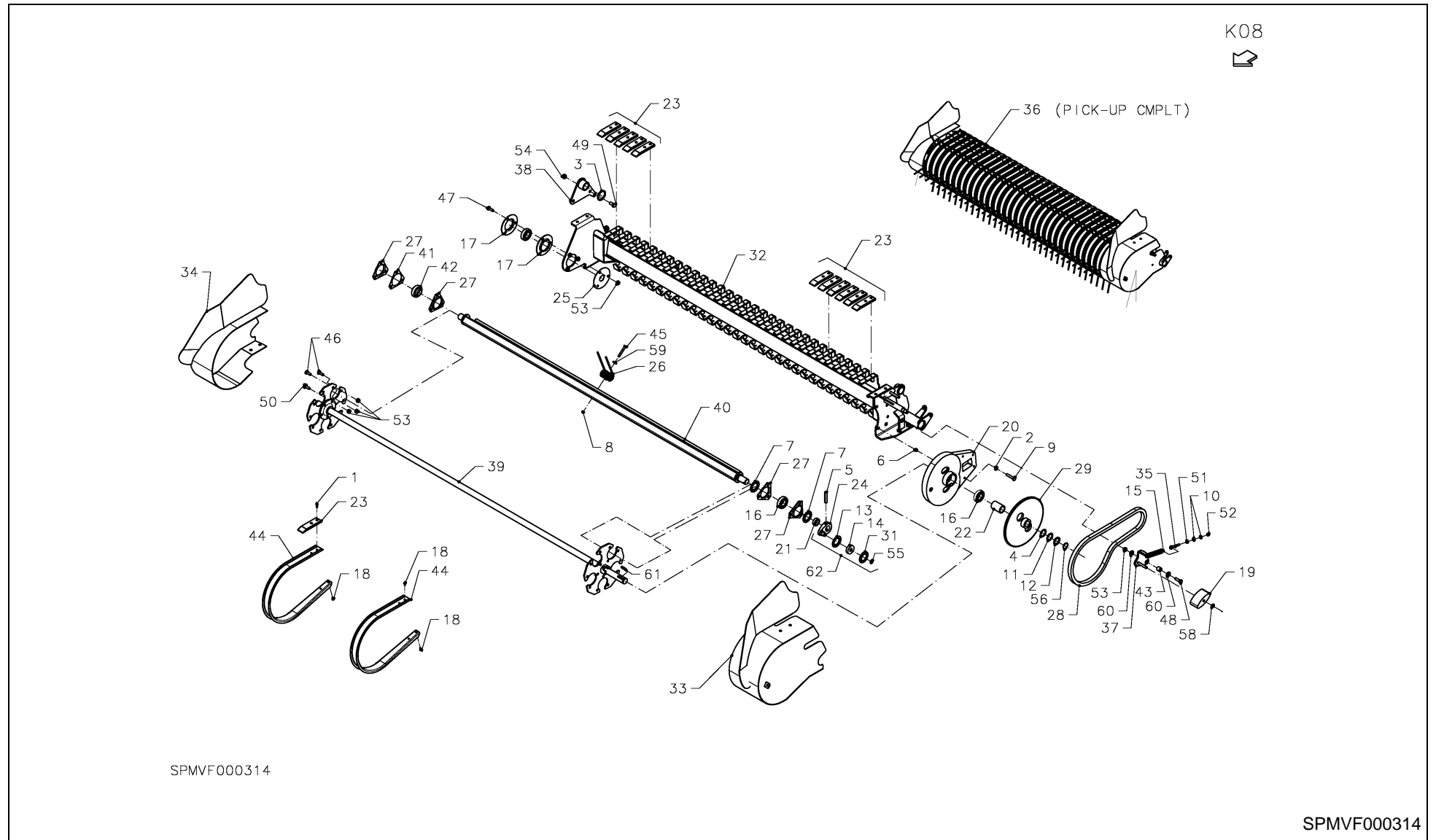
SPMVF000314

SPMVF000314

RF 235 / PICK-UP OC23



PosNo.	Part No.	Qty.	Description	Remark
1	VF01104181	24	CYLINDR. SCREW	
2	KG01267461	4	WASHER M10	
3	VF01137130	1	SPACER RING 45X55X3	
4	VGMT00310	2	SHIM SET S-X30.2X38	
5	VG61.05.04	1	SPANSTIFT 10X65	
6	VF01157427	2	DOWEL PIN	
7	VF01170940	10	NILOS-RING	
8	VF01397863	80	HEX.NUT	
9	VF06209483	4	HEX.HEAD SCREW	
10	VF06214246	2	WASHER	
11	VF06214481	4	SPACER	
12	VGND3138V	4	RING	
13	VF06214938	1	NILOS-RING	
14	VF06215027	1	ROLLER	
15	VF06215540	1	TENSION SPRING	
16	VF06215766	11	ROLLER BEARING	
16	VF06215766	11	ROLLER BEARING	
17	VF06215783	2	BEARING FLANGE	
18	VF06273854	100	HEX. HEAD SCREW	
18	VF06273854	100	HEX. HEAD SCREW	
18	VF06273854	100	HEX. HEAD SCREW	
19	VF06582184	1	CHAIN TENS. BLOCK	
20	VF16617225.86	1	GUIDE	
21	VF16617910	5	INTERMEDIATE TUBE	
22	VF16618011.86	1	SPACER TUBE	
23	VF16618012	12	PLASTIC SEGMENT	
24	VF16615203.86	5	CONTROL ARM	
25	VF16618811.86	1	WASHER	
26	VF16618868.86	80	FEDERZINKEN PU 4 WIND. MP 122	
27	VF16619739	20	BEARING FLANGE	
28	VF16619824	1	CHAIN	
29	VF16619858.86	1	SPROCKET	
31	VF06214938	1	NILOS-RING	
32	VF16652326.86	1	SUPPORT	
33	VF16652327.86	1	SIDE PART LEFT	
34	VF16652328.86	1	SIDE PART RIGHT	
35	VF16652372	1	SCREW/BOLT	
36	VF16656700	1	PU 2300 GP VORM.	
37	VF16652859.86	1	TENSIONER CHAIN	
38	VF16653304.86	1	BEARING FLANGE	



SPMVF000314

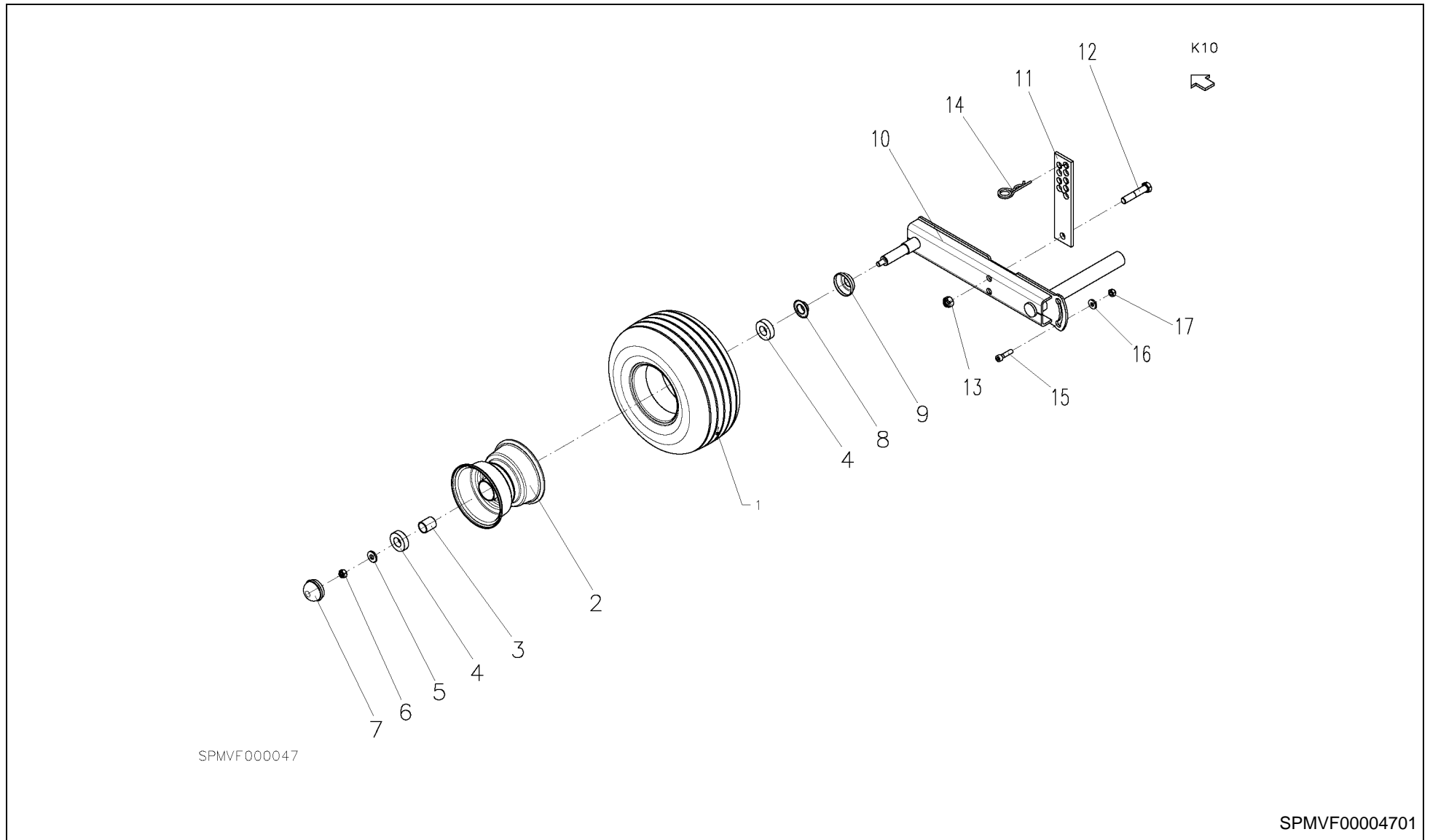
SPMVF000314

RF 235 / PICK-UP OC23



PosNo.	Part No.	Qty.	Description	Remark
39	VF16654308.86	1	DRIVE SHAFT	
40	VF16654311.86	5	PIPE	
41	VF16655023	1	WASHER	
42	VF16655049	5	TIGHTENING BEARING DIN 626 RAE 30 NPPB	
43	VF16655055	1	HUELSE	
44	VF16655943	31	PICK UP GLEITBLECH	
45	KG00353661	80	HEX. BOLT M8X60 8.8	
46	KG00474261	20	HEX. SCREW M10X25 8.8	
47	KG00474361	3	HEX. SCREW M10X30 8.8	
48	KG00474461	1	HEX. SCREW M10X35 8.8	
49	KG00476461	1	HEX. SCREW M12X25 8.8	
50	KG00641561	10	CARRIAGE BOLT M10X30 8.8	
51	KG01051961	1	HEX. NUT M8 8	
52	KG01067561	1	LOCK NUT M8 8	
53	KG01068861	34	LOCK NUT M10 10	
54	KG01068961	1	LOCK NUT M12 10	
55	KG01107500	1	CIRCLIP-A 17 X 1	
56	KG01108862	2	CIRCLIP-A 30 X 1.5	
58	KG01267461	1	WASHER M10	
59	KG01273561	80	WASHER M8	
60	KG01273661	2	WASHER M10	
61	KG01306900	1	KEY 8X7X32	
62	VF16615203.86	5	CONTROL ARM	

RF 235 / contact roller



SPMVF000047

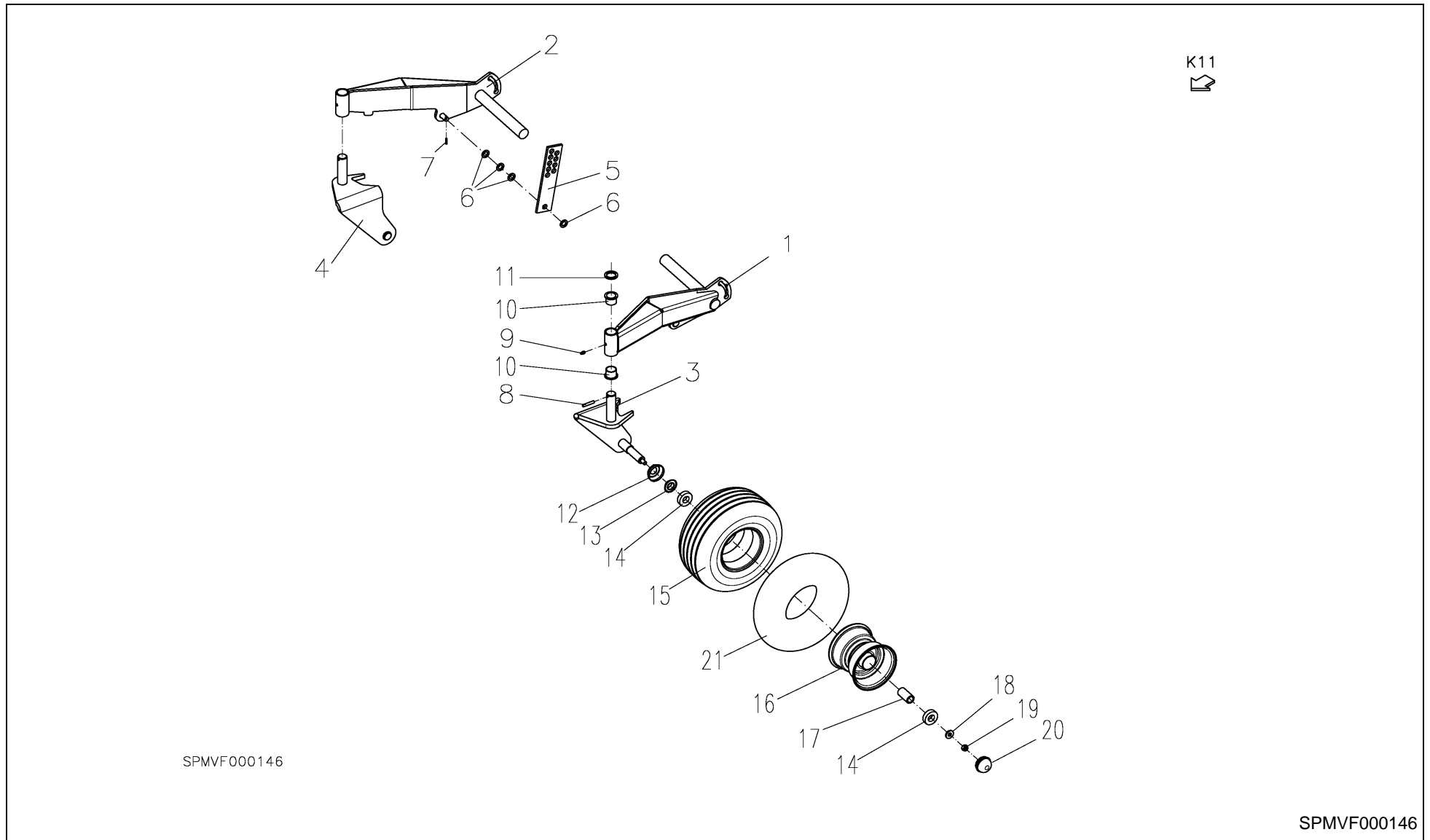
SPMVF00004701



RF 235 / contact roller

PosNo.	Part No.	Qty.	Description	Remark
1	VF01141364	2	TYRE	
2	VF06564735.98	2	RIM	
3	VF06249879	2	SPACER	
4	KG01379500	4	ALL BEARING 6205-RS	
5	VGTH100V	2	RING	
6	KG01068961	2	LOCK NUT M12 10	
7	VF06580546	2	CAP	
8	VF06567492	2	GASKET	
9	VF06580546	2	CAP	
10	VF16652374.86	2	AXLE LINK	
11	VF16652392.86	2	PERFORADED RAIL	
12	KG00362561	2	HEX. BOLT M16X80 8.8	
13	KG01069161	2	LOCK NUT M16 10	
14	VGPZ160V	2	SPRING CLIP DIAM 3MM	
15	VF01397983	2	CHEESE-HEAD SCREW	
16	KG01273661	2	WASHER M10	
17	KG01068861	2	LOCK NUT M10 10	
18	VGND9779	2	AIR CHAMBER	

RF 235 / contact roller turnable

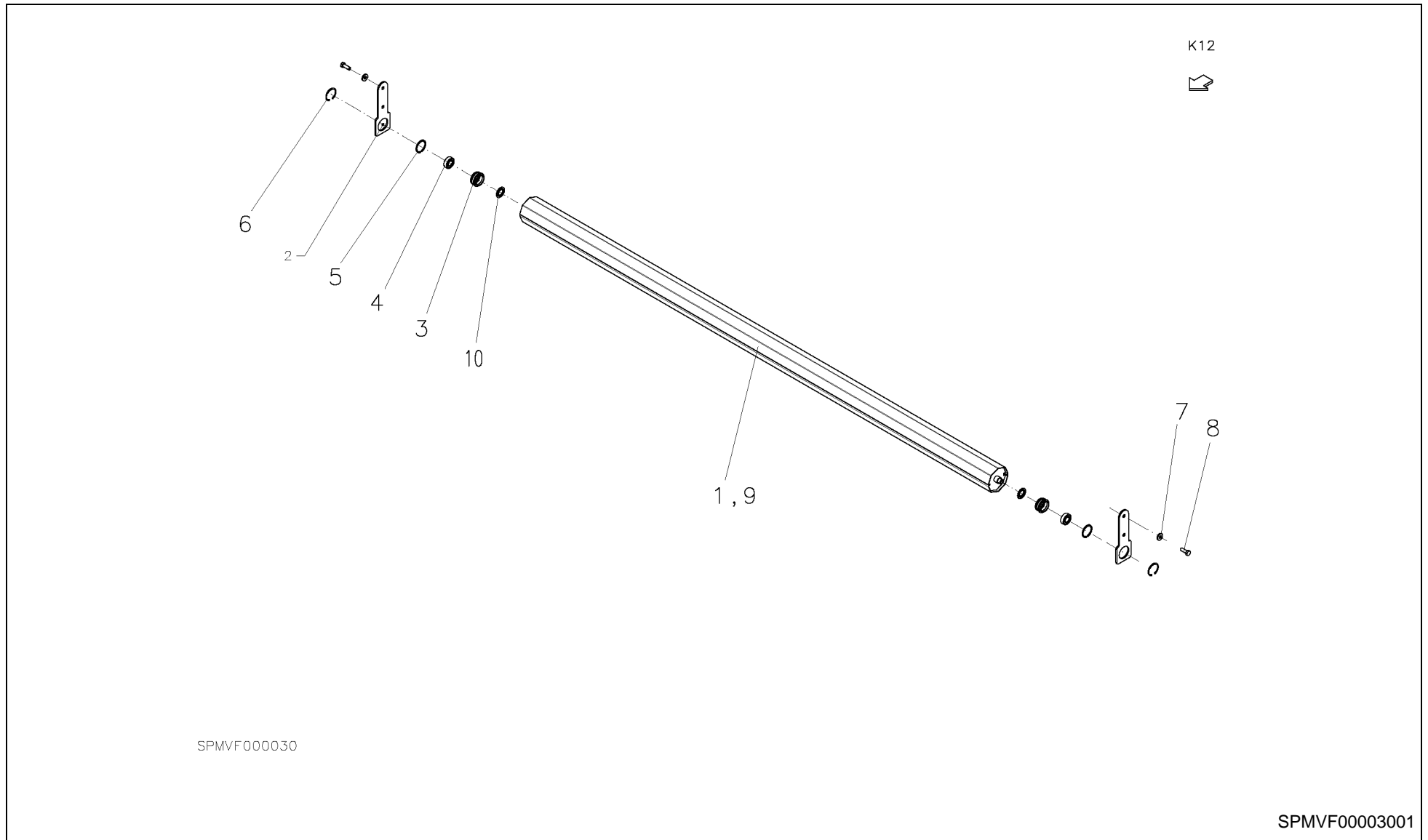




RF 235 / contact roller turnable

PosNo.	Part No.	Qty.	Description	Remark
1	VF16654682.86	1	AXLE LINK LEFT	
2	VF16654683.86	1	AXLE LINK RIGHT	
3	VF16654690.86	1	WHEEL AXLE LEFT	
4	VF16654691.86	1	WHEEL AXLE RIGHT	
5	VF16652392.86	2	PERFORATED RAIL	
6	KG01267761	8	WASHER M16	
7	VF01102494	2	DOWEL PIN	
8	KG01191962	2	TENSION PIN 8X45	
9	VGND9813V	2	GREASE NIPPLE	
10	VF06229502	4	BUSH	
11	VF06214421	2	WASHER	
12	VF16622598.98	2	CAP	
13	VF06567492	2	GASKET	
14	KG01379500	4	ALL BEARING 6205-RS	
15	VF01141364	2	TYRE	
16	VF06564735.98	2	RIM	
17	VF06249879	2	SPACER	
18	VGTH100V	2	RING	
19	KG01068961	2	LOCK NUT M12 10	
20	VF06580546	2	CAP	
21	VGND9779	2	AIR CHAMBER	

RF 235 / pick-up roller

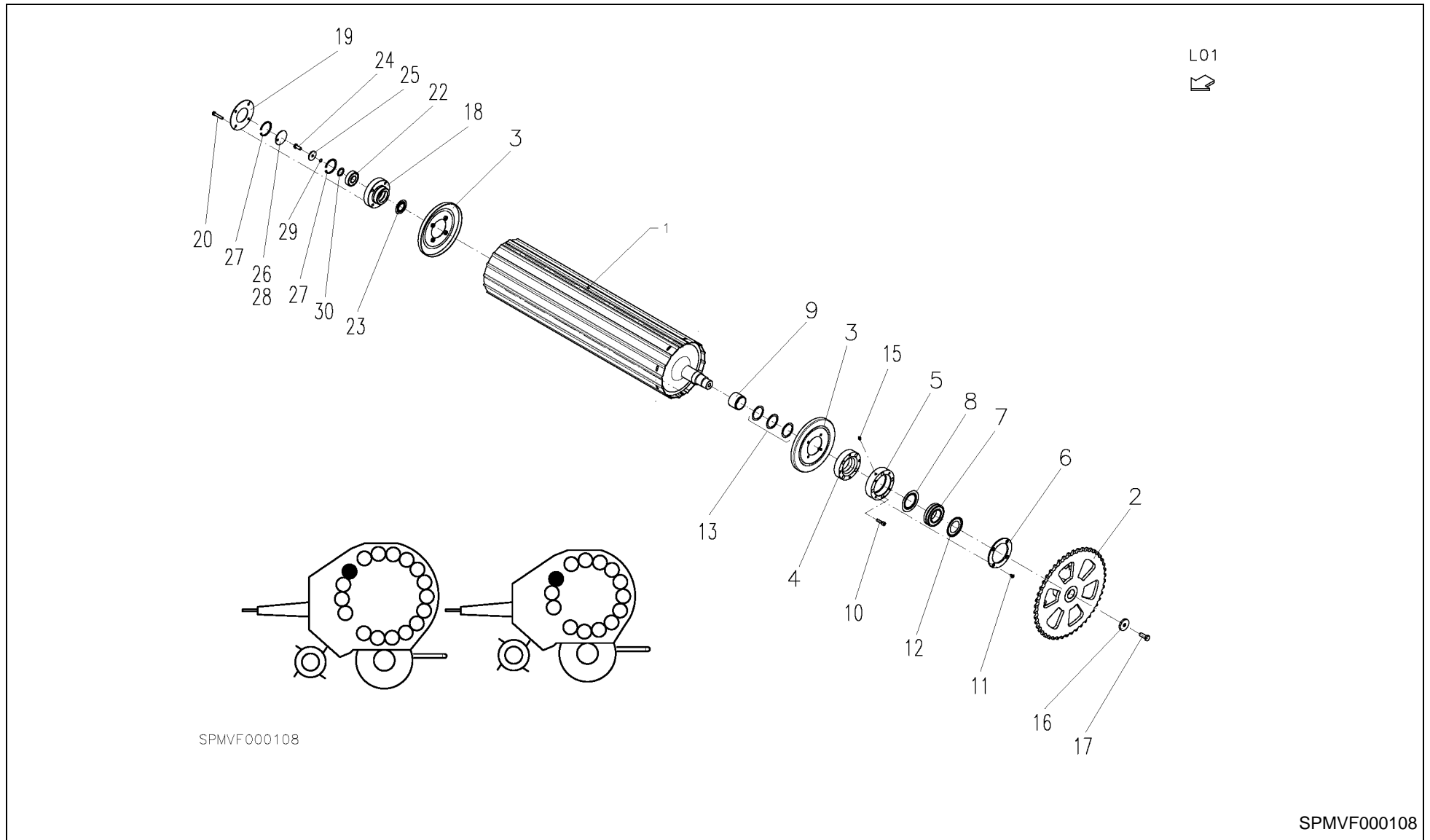




RF 235 / pick-up roller

PosNo.	Part No.	Qty.	Description	Remark
1	VF16652161.86	1	PU-DRUM	OC 23
2	VF16652187.86	2	HOUSING	
3	VF16655020	2	BEARING RING	
4	KG01476400	2	BALL BEARING 6205-2RS C3	
5	KG01128000	2	CIRCLIP-B 40 X 1.75	
6	KG01110200	2	CIRCLIP-A 47 X 1.75	
7	KG01273661	4	WASHER M10	
8	VF01177466	4	HEX.BOLT	
9	VF16654361.86	1	PU-DRUM	OC 14
10	VF16655014	2	RING 6203 JV	

RF 235 / upper drive roller front

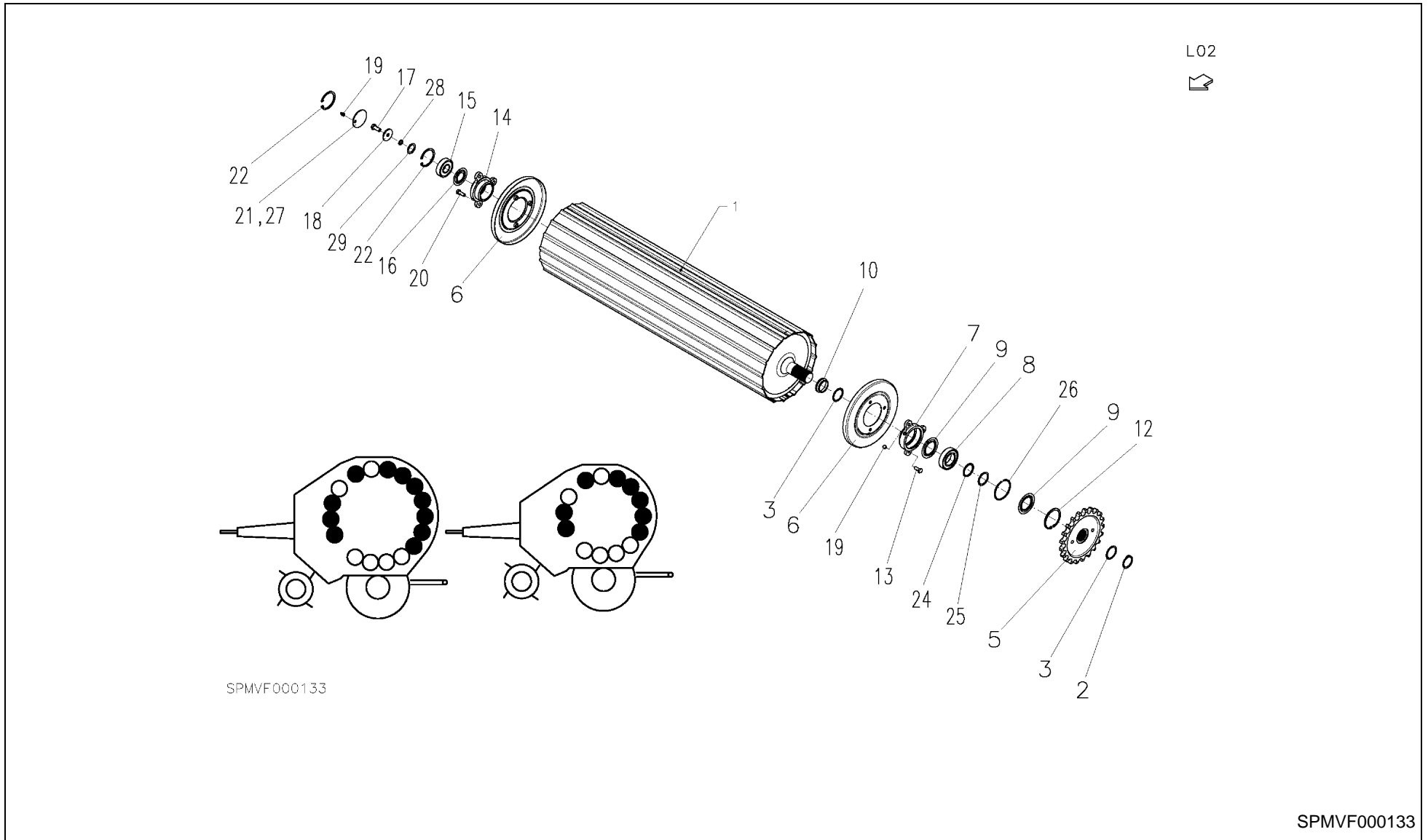




RF 235 / upper drive roller front

PosNo.	Part No.	Qty.	Description	Remark
1	VF16617841.86	1	DRIVE ROLLER	
2	VF16654541.86	1	CHAIN WHEELS	
3	VF16651497	1	RING	
4	VF16616318	1	WASHER	
5	KG00458961	1	HEX. SCREW M16X40 10.9	
6	VGMT0063	6	SHIM SET	
7	VF16651240	1	BALL BEARING	
8	VF16616319	1	BEARING RACE	
9	VF16651074.86	1	HOUSING	
10	VF01397983	4	CHEESE-HEAD SCREW	
11	VF16656285	1	ANTI WRAPING DEVICE	
12	VF16655425	1	TUBE	
13	VF16651231	1	ANTI WRAPPING DEVICE	
14	VF16651236	1	NILOS RING	
15	VF16653955	1	BEARING	
16	VF16616863	1	WASHER	
17	VGND1403V	1	BOLT, LOCK, SPEC.	
18	KG00474361	3	HEX. SCREW M10X30 8.8	
19	VF16653951.86	1	HOUSING	
20	KG01130500	1	CIRCLIP-B 72 X 2.5	OPTION
21	VF16653954	1	WASHER	OPTION
22	VF16654630	2	RETAINER LEFT	OPTION

RF 235 / drive roller

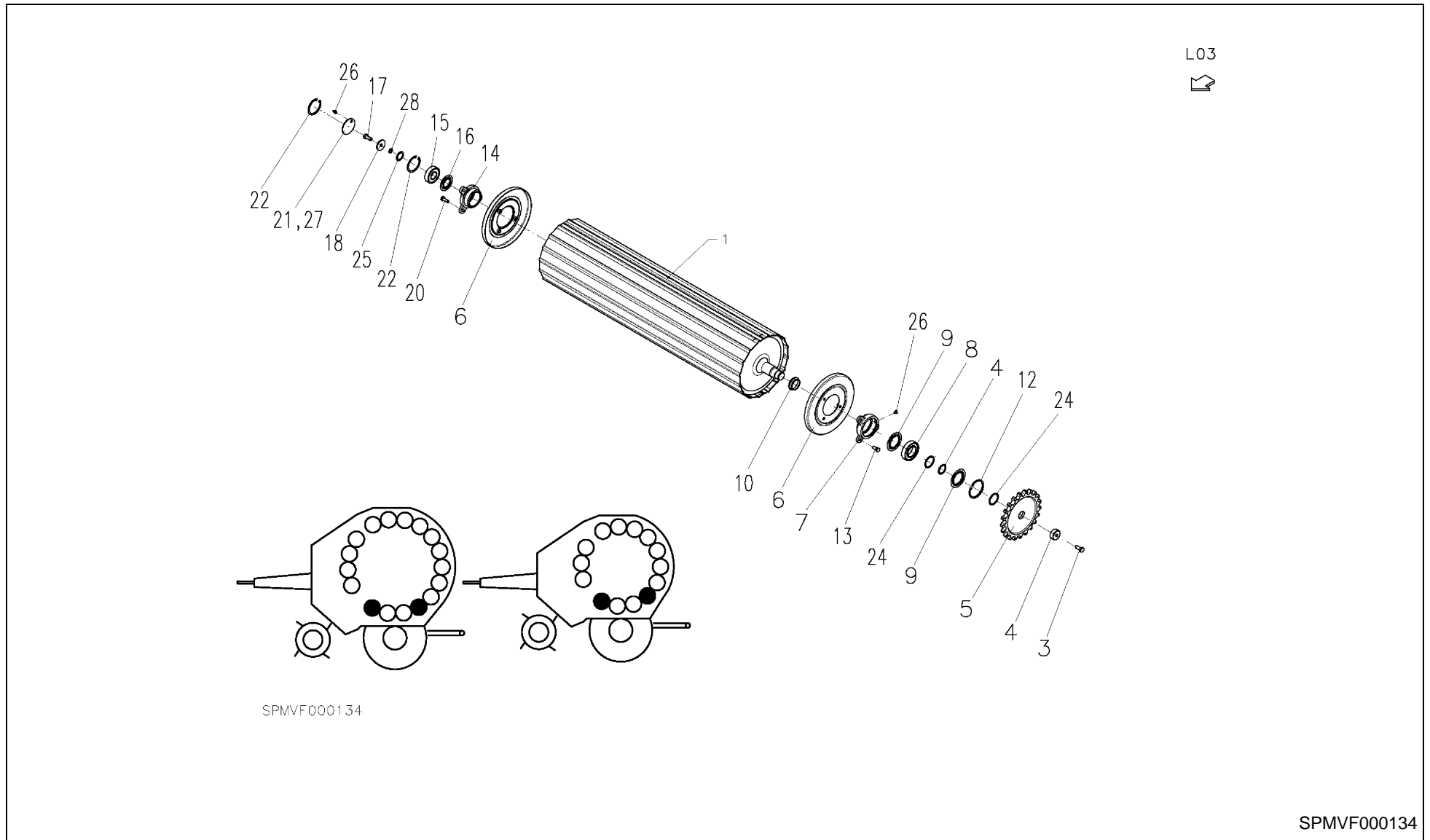




RF 235 / drive roller

PosNo.	Part No.	Qty.	Description	Remark
1	VF16617975.86	8	ROLLER	
2	KG01110162	8	CIRCLIP-A 45 X 1.75	
3	VGTP0011	24	SHIM SET	
5	VF16654525.86	8	CHAIN SPROCKET	
6	VF16651231	16	ANTI WRAPPING DEVICE	
7	VF16651246.86	8	BEARING HOUSING	
8	KG01478400	8	BALL BEARING 6209-2RS C3	
9	VF16618298	16	NILOS-RING	
10	VF16651235	8	RING	
12	KG01131100	8	CIRCLIP-B 85 X 3	
13	VF06209480	24	HEX.HEAD SCREW	
14	VF16653951.86	8	HOUSING	
15	VF16653955	8	BEARING	
16	VF16653952	8	RING 6306 JV	
17	VGND1403V	8	BOLT, LOCK, SPEC.	
18	VF16616863	8	WASHER	
19	VF16654814	8	PLUG GPN300 F 041	OPTION
20	VF01177466	24	HEX.BOLT	
21	VF16653953	8	WASHER	
22	KG01130500	8	CIRCLIP-B 72 X 2.5	
24	VGTP0011	1	SHIM SET	OPTION
25	VGTP0011	1	SHIM SET	OPTION
26	KG01130900	1	CIRCLIP-B 80 X 2.5	OPTION
27	VF16654890.86	8	SCHEIBE	
28	VF06214462	8	SPACER	
29	VF06214481	8	SPACER	

RF 235 / end roller



L03



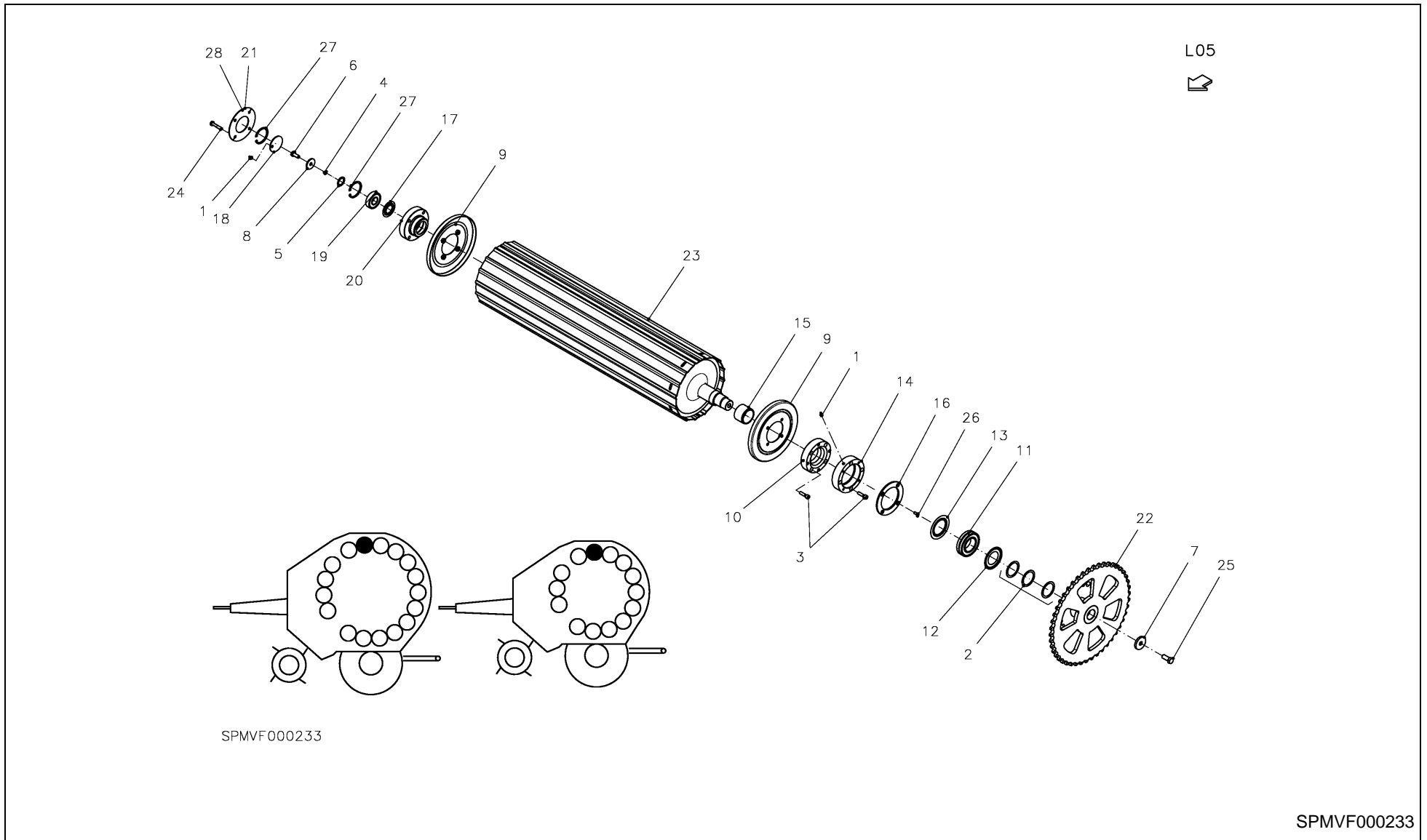
SPMVF000134



RF 235 / end roller

PosNo.	Part No.	Qty.	Description	Remark
1	VF16653911.86	2	END ROLLER	
3	VF16654918	2	RING	
5	VF16654524.86	2	CHAIN SPROCKET	
6	VF16651231	4	ANTI WRAPPING DEVICE	
7	VF16651246.86	2	BEARING HOUSING	
8	KG01478400	2	BALL BEARING 6209-2RS C3	
9	VF16618298	2	NILOS-RING	
10	VF16651235	2	RING	
12	KG01131100	2	CIRCLIP-B 85 X 3	
13	VF01177466	6	HEX.BOLT	
14	VF16653951.86	2	HOUSING	
15	VF16653955	2	BEARING	
16	VF16653952	2	RING 6306 JV	
17	VGND1403V	2	BOLT, LOCK, SPEC.	
18	VF16616863	2	WASHER	
20	VF06209480	6	HEX.HEAD SCREW	
21	VF16653953	2	WASHER	
22	KG01130500	2	CIRCLIP-B 72 X 2.5	
24	VGTP0011	2	SHIM SET	OPTION
25	VF06214481	4	SPACER	
26	VF16654814	2	PLUG GPN300 F 041	OPTION
27	VF16654890	2	SCHEIBE	
28	VF06214462	2	SPACER	

RF 235 / drive roller

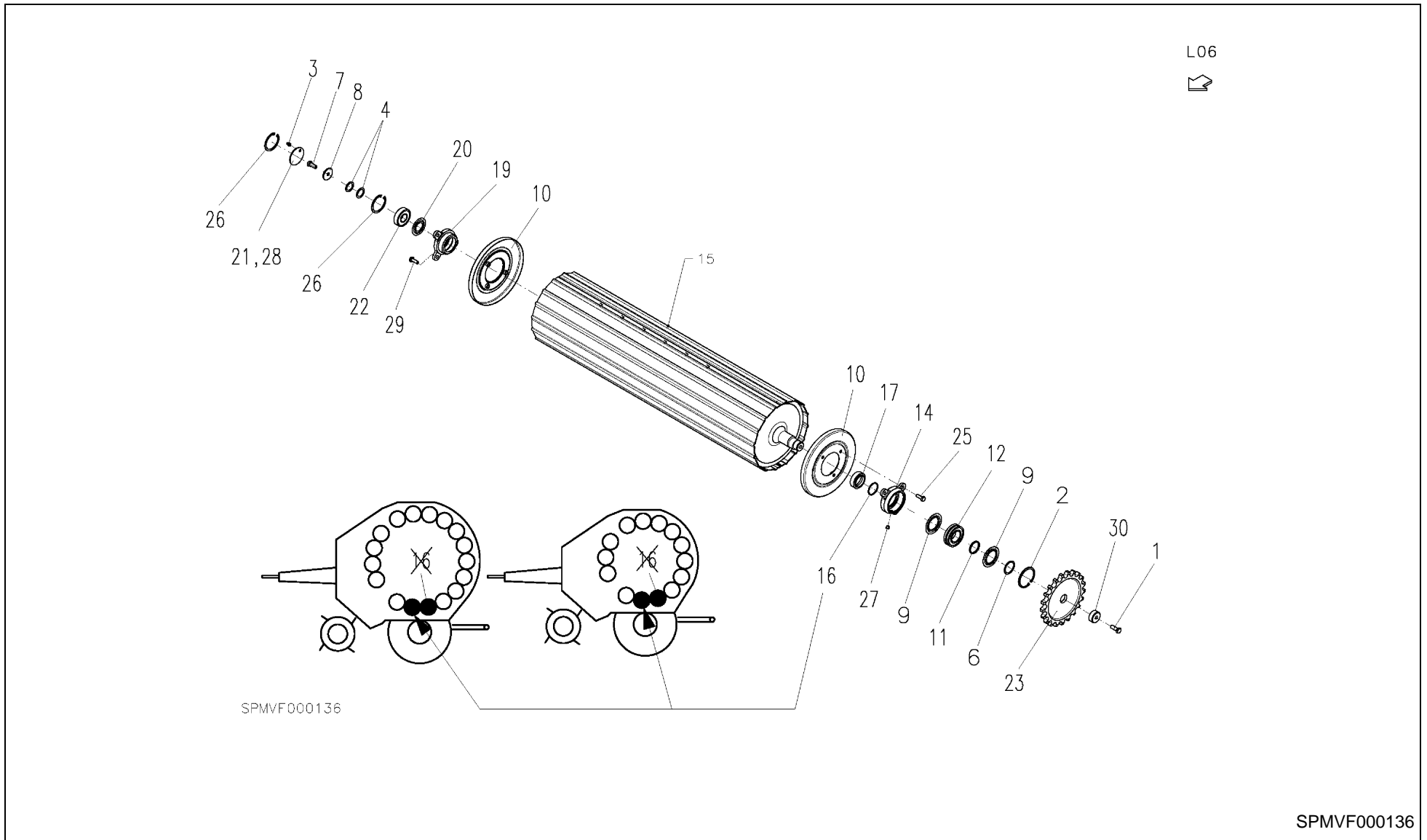


RF 235 / drive roller



PosNo.	Part No.	Qty.	Description	Remark
1	VF01120694	2	GREASE NIPPLE	
2	VF01137990	3	SPACER	
3	VF01397983	8	CHEESE-HEAD SCREW	
4	VF06214462	1	SPACER	
5	VF06214481	1	SPACER	
6	VGND1403V	1	BOLT, LOCK, SPEC.	
7	VF16616318	1	WASHER	
8	VF16616863	1	WASHER	
9	VF16656285	2	ANTI WRAPING DEVICE	
10	VF16651496	1	HOUSING	
11	VF16653801	1	ROLLER BEARING	
12	VF16653809	1	RING	
13	VF16653810	1	RING	
14	VF16653878.86	1	BEARING	
15	VF16653879	1	SPACER TUBE	
16	VF16653880.86	1	RING	
17	VF16653952	1	RING 6306 JV	
18	VF16653953	1	WASHER	
19	VF16653955	1	BEARING	
20	VF16653956.86	1	BEARING	
21	VF16654106.86	1	WASHER	
22	VF16654551.86	1	CHAIN SPROCKET	
23	VF16654758.86	1	MAINROLLER GSW.	
24	KG00355561	4	HEX. BOLT M10X55 8.8	
25	KG00458961	1	HEX. SCREW M16X40 10.9	
26	KG00861661	4	COUNTERSUNK HEAD SCREW M8X20 8.8	
27	KG01130500	2	CIRCLIP-B 72 X 2.5	
28	VF16654890.86	1	SCHEIBE	

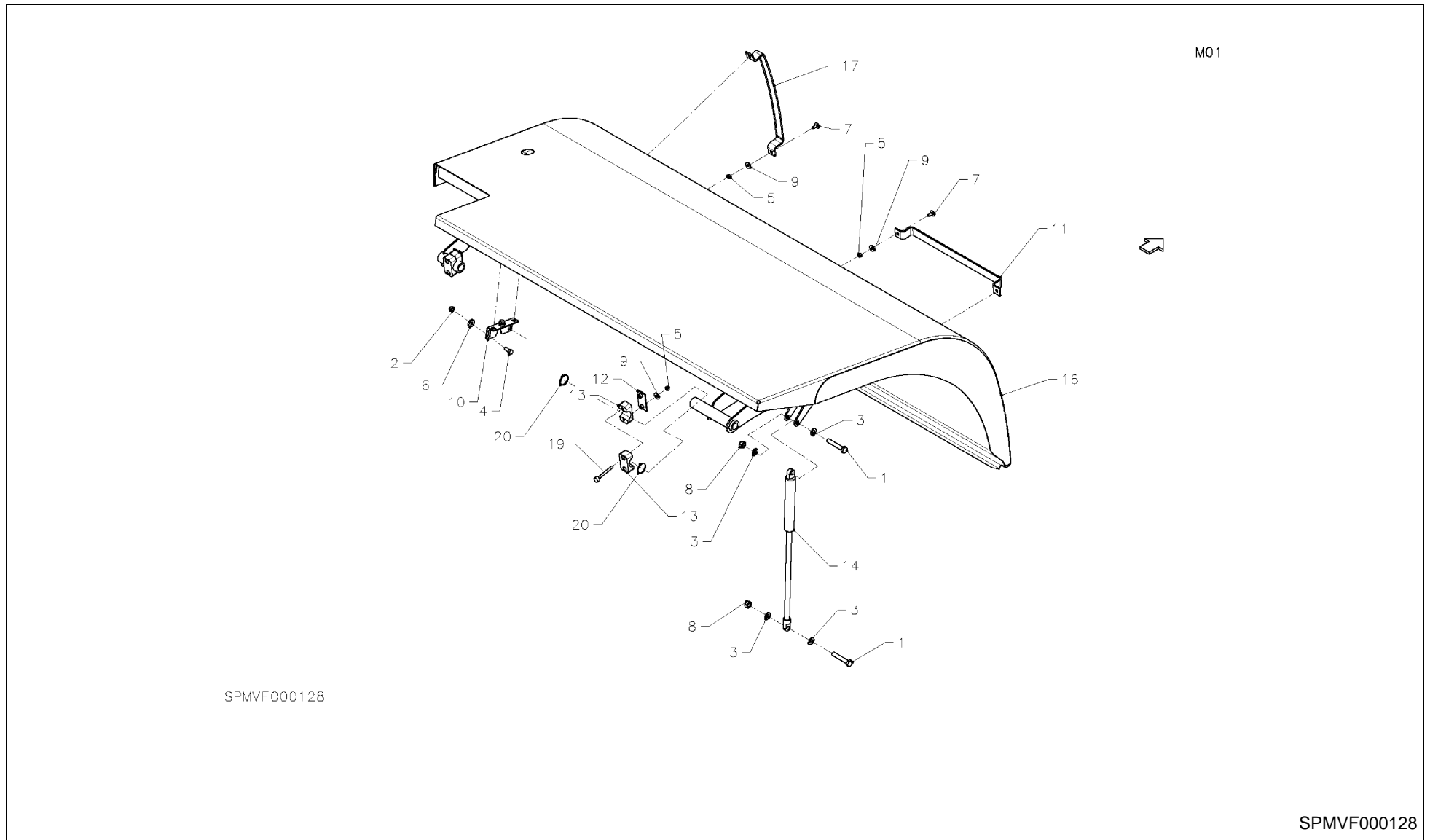
RF 235 / end roller





RF 235 / end roller

PosNo.	Part No.	Qty.	Description	Remark
1	VF06209459	2	HEX. HEAD SCREW	
2	KG01131100	2	CIRCLIP-B 85 X 3	
3	VF01120694	2	GREASE NIPPLE	OPTION
4	VF06214481	4	SPACER	
6	VGTP0011	8	SHIM SET	
7	VGND1403V	2	BOLT, LOCK, SPEC.	
8	VF16616863	2	WASHER	
9	VF16618298	4	NILOS-RING	
10	VF16651231	4	ANTI WRAPPING DEVICE	
11	VF16651247	2	WASHER	
12	VF16653907	2	ROLLER BEARING	
14	VF16653909.86	2	BEARING HOUSING	
15	VF16657761.86	2	ROLLER	
16	VF16653914.86	2	WASHER	
17	VF16653915	2	RING	
19	VF16653951.86	2	HOUSING	
20	VF16653952	2	RING 6306 JV	
21	VF16653953	2	WASHER	
22	VF16653955	2	BEARING	
23	VF16654524.86	2	CHAIN SPROCKET	
25	VF01177466	6	HEX.BOLT	
26	KG01130500	2	CIRCLIP-B 72 X 2.5	
27	VF16654814	2	PLUG GPN300 F 041	
28	VF16654890	2	SCHEIBE	
29	VF06209480	6	HEX.HEAD SCREW	
30	VF16654918	2	RING	

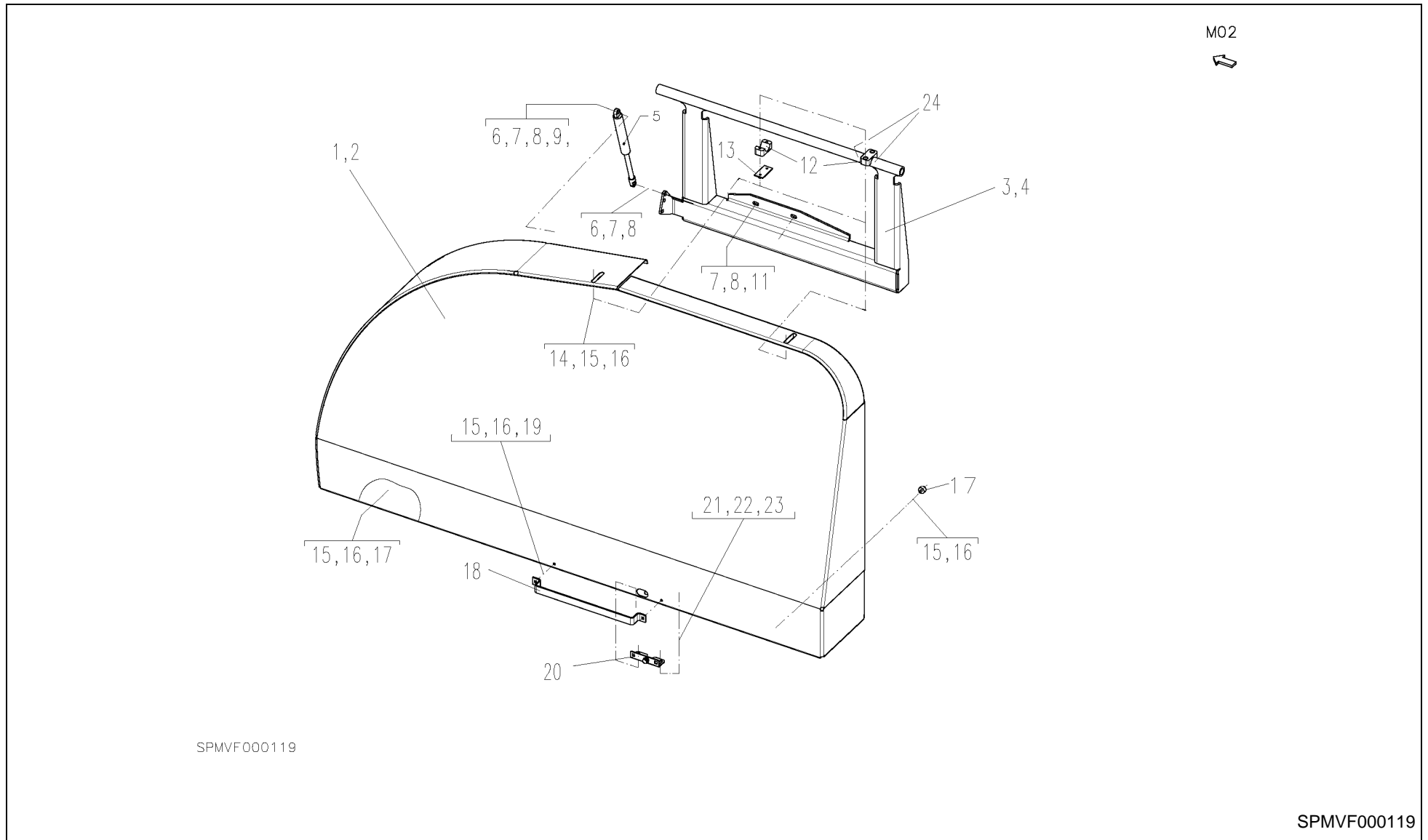




RF 235 / panelling front

PosNo.	Part No.	Qty.	Description	Remark
1	KG00474961	2	HEX. SCREW M10X60 8.8	
2	KG01067561	2	LOCK NUT M8 8	
3	KG01267461	4	WASHER M10	
4	KG00471961	2	HEX. SCREW M8X20 8.8	
5	KG01067361	12	LOCK NUT M6 8	
6	KG01273561	4	WASHER M8	
7	KG00637061	4	CARRIAGE BOLT M6X16 8.8	
8	KG01067661	2	LOCK NUT M10 8	
9	VGND3034V	12	WASHER, PLAIN 24/6MM	
10	VF16611457	1	FOLDING FASTENER	
11	VF16618108.86	1	HANDLE	
12	VF16654968	2	PLATE SP4 EN12476	
13	VF16650309	4	PIPE CLIP	
14	VF16653238	1	GAS SPRING	
16	VF16653241.94	1	CAP/VOVER	
17	VF16653473	1	HANDLE	
19	VF01397881	4	CHEESE-HEAD SCREW	
20	VGND9134	4	WORMSLANGKLEM (22 - 32)	

RF 235 / rear panelling

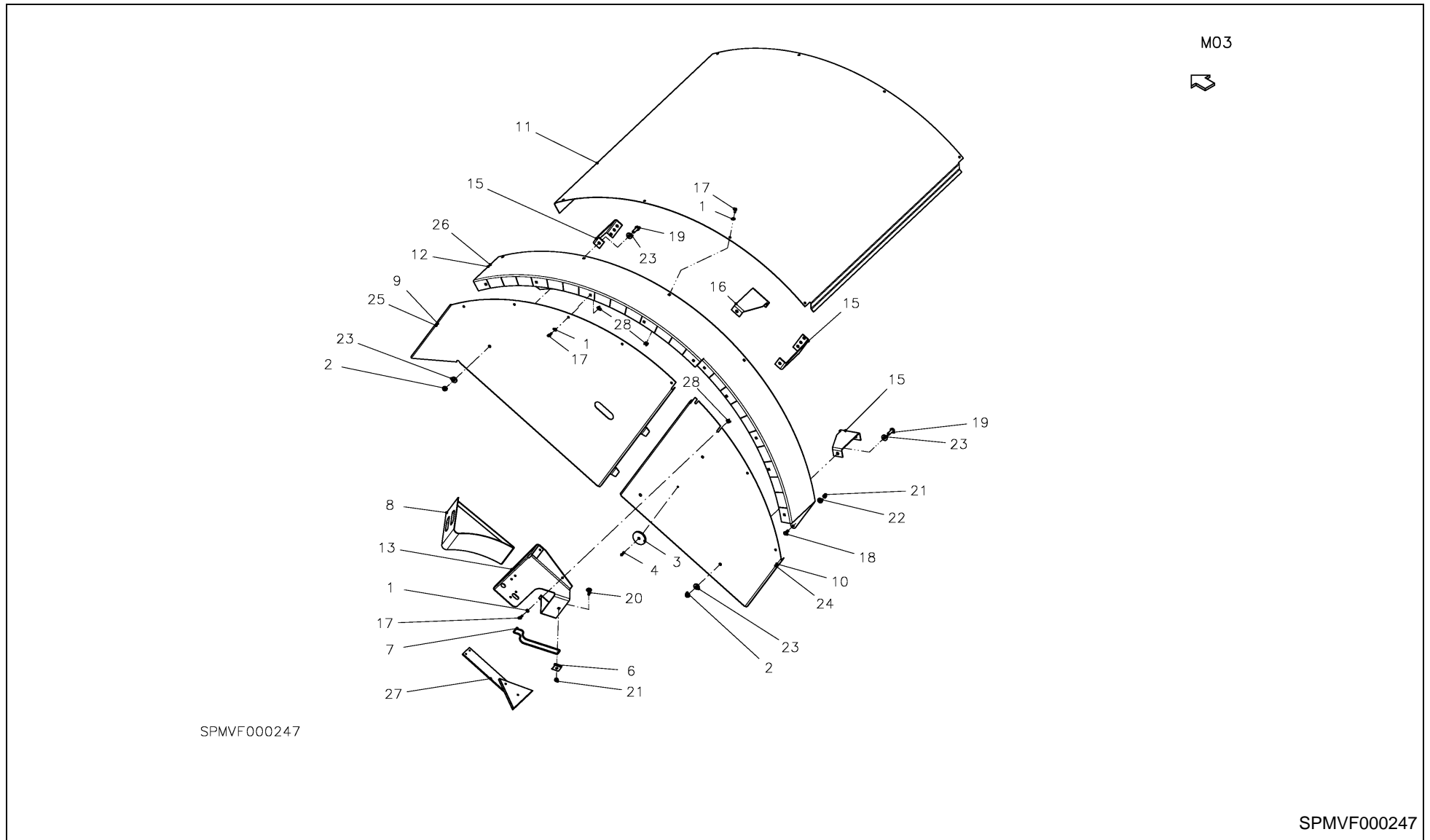




RF 235 / rear panelling

PosNo.	Part No.	Qty.	Description	Remark
1	VF16653203.94	1	SIDE LID	
2	VF16653204.94	1	SIDE RIGHT	
3	VF16653223.86	1	BEARING HOUSING	
4	VF16653224.86	1	BEARING HOUSING	
5	VF16651856	2	GAS SPRING	
6	KG00355661	4	HEX. BOLT M10X60 8.8	
7	KG01067661	12	LOCK NUT M10 8	
8	KG01267461	44	WASHER M10	
9	KG01052061	2	HEX. NUT M10 8	
11	KG00474361	8	HEX. SCREW M10X30 8.8	
12	VF16650309	8	PIPE CLIP	
13	VF16650307	4	COVERING PLATE	
14	VF01397881	8	CHEESE-HEAD SCREW	
15	VGND3034V	24	WASHER, PLAIN 24/6MM	
16	KG01067361	12	LOCK NUT M6 8	
17	VF01142826	4	RUBBER PAD	
18	VF16618108.86	1	HANDLE	
19	KG00637061	4	CARRIAGE BOLT M6X16 8.8	
20	VF16611457	2	FOLDING FASTENER	
21	VF01142565	4	TRUSS-HEAD SCREW	
22	VGND3030V	4	WASHER, PLAIN	
23	KG01067561	4	LOCK NUT M8 8	
24	VGND9134	4	WORMSLANGKLEM (22 - 32)	

RF 235 / rear covering cap

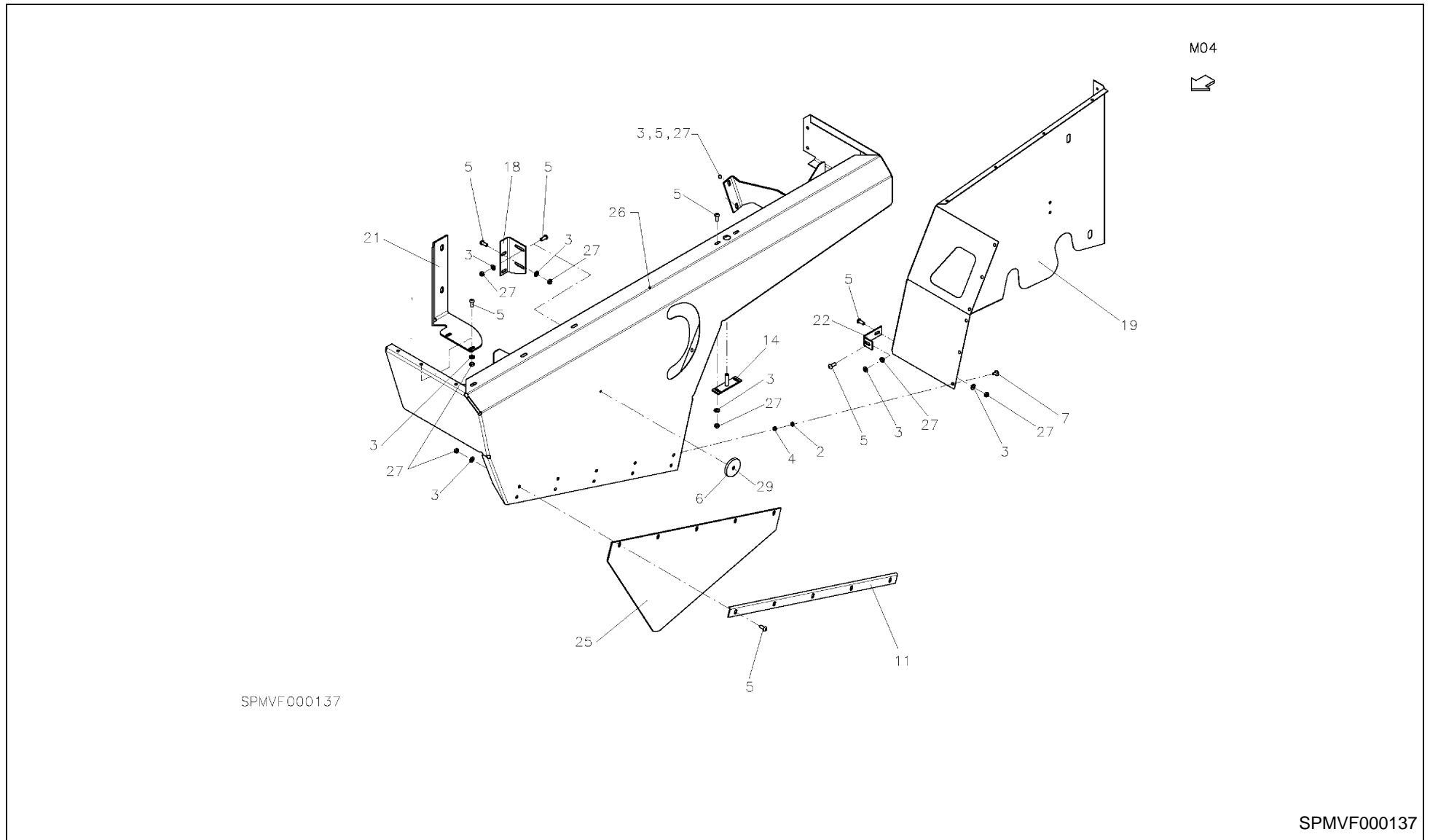




RF 235 / rear covering cap

PosNo.	Part No.	Qty.	Description	Remark
1	KG01267261	28	WASHER M6	
2	KG01067661	8	LOCK NUT M10 8	
3	VGND9889	1	REFLECTOR, YELLOW	
4	VF06214992	1	RIVET	
6	VF06578425	2	PLATE	
7	VF06587662	2	SPRING	
8	VF16616296	2	BLOC	
9	VF16652900.86	1	O-SEAL	
10	VF16652902	1	COVER LEFT DOWN	
11	VF16652904.94	1	SHEET	
12	VF16652905.86	1	SEITENABDECKUNG LI. GSW.	
13	VF16652953.86	1	SUPPORT	
15	VF16656352	4	SUPPORT, LEFT	
16	VF16656353	4	SUPPORT, RIGHT	
17	KG00468761	28	HEX. SCREW M6X16 8.8	
18	KG00471961	18	HEX. SCREW M8X20 8.8	
19	KG00474361	8	HEX. SCREW M10X30 8.8	
20	KG00639161	2	CARRIAGE BOLT M8X25 8.8	
21	KG01067561	18	LOCK NUT M8 8	
22	KG01273561	18	WASHER M8	
23	KG01273661	16	WASHER M10	
24	VF16652903.86	1	SIDE LID	
25	VF16652901.86	1	COVER RIGHT TOP	
26	VF16652906.86	1	LATERALE SHEET RIGHT WELD.	
27	VF06587242	2	REAR REFLECTOR	
28	VF16617009	28	NUT	

RF 235 / Panelling on side down

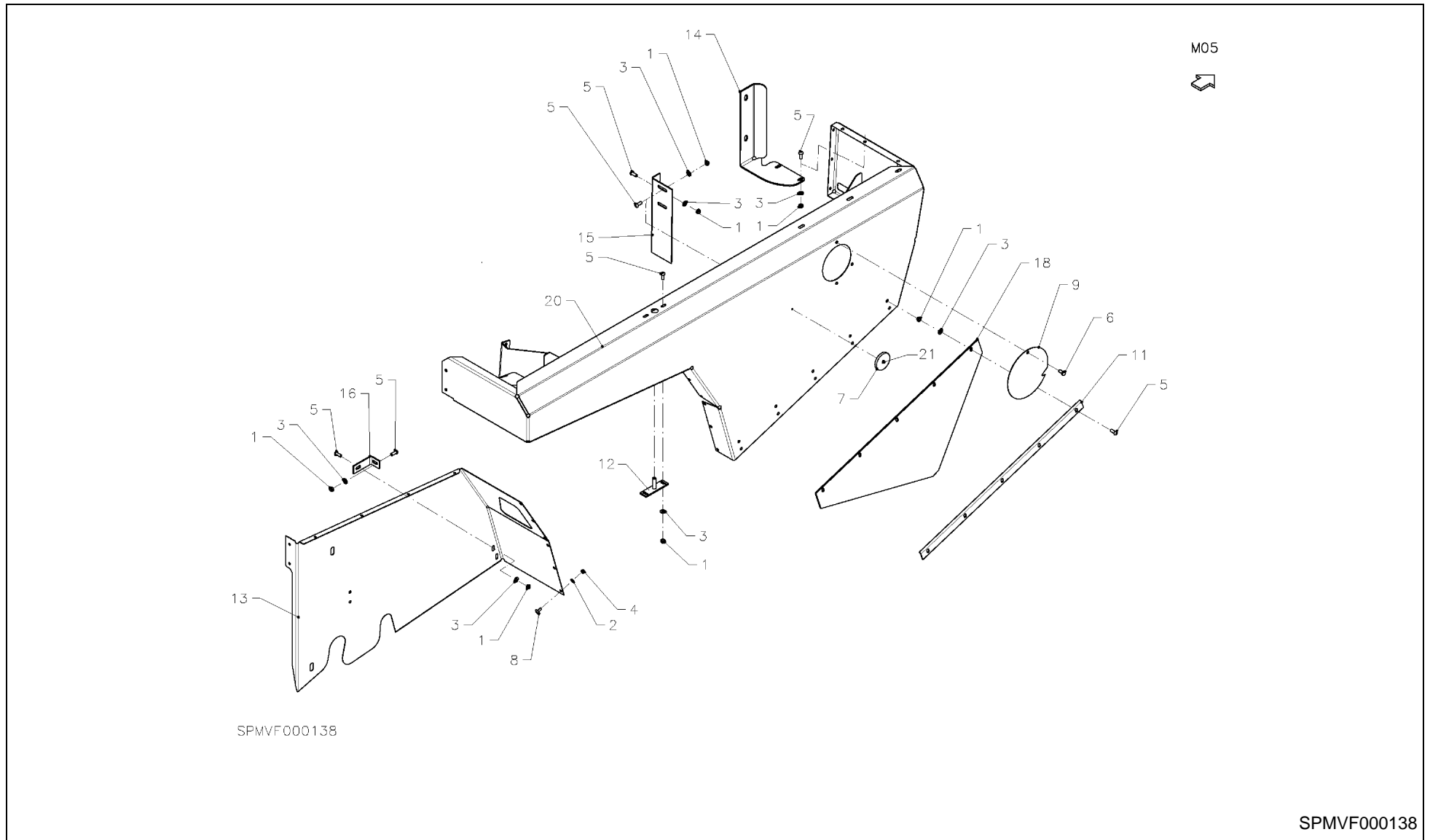




RF 235 / Panelling on side down

PosNo.	Part No.	Qty.	Description	Remark
2	KG01267261	24	WASHER M6	
3	KG01267361	15	WASHER M8	
4	KG01067361	24	LOCK NUT M6 8	
5	VF01142565	15	TRUSS-HEAD SCREW	
6	VGND9889	1	REFLECTOR, YELLOW	
7	VF06214132	22	TRUSS-HEAD SCREW	
11	VF16651543.86	1	CROSS BAR	
14	VF16651822.86	1	LOCKING PLATE	
18	VF16651829.86	1	ANGLE PLATE	
19	VF16652918.86	1	CAP	
21	VF16653268.86	1	SUPPORT	
22	VF16653427	1	FIXING ANGLE	
25	VF16653611	1	RUBBER PACKING	
26	VF16655386	1	CAP/OVER	
27	KG01067561	15	LOCK NUT M8 8	
29	VF06214992	1	RIVET	

RF 235 / Panelling on side down





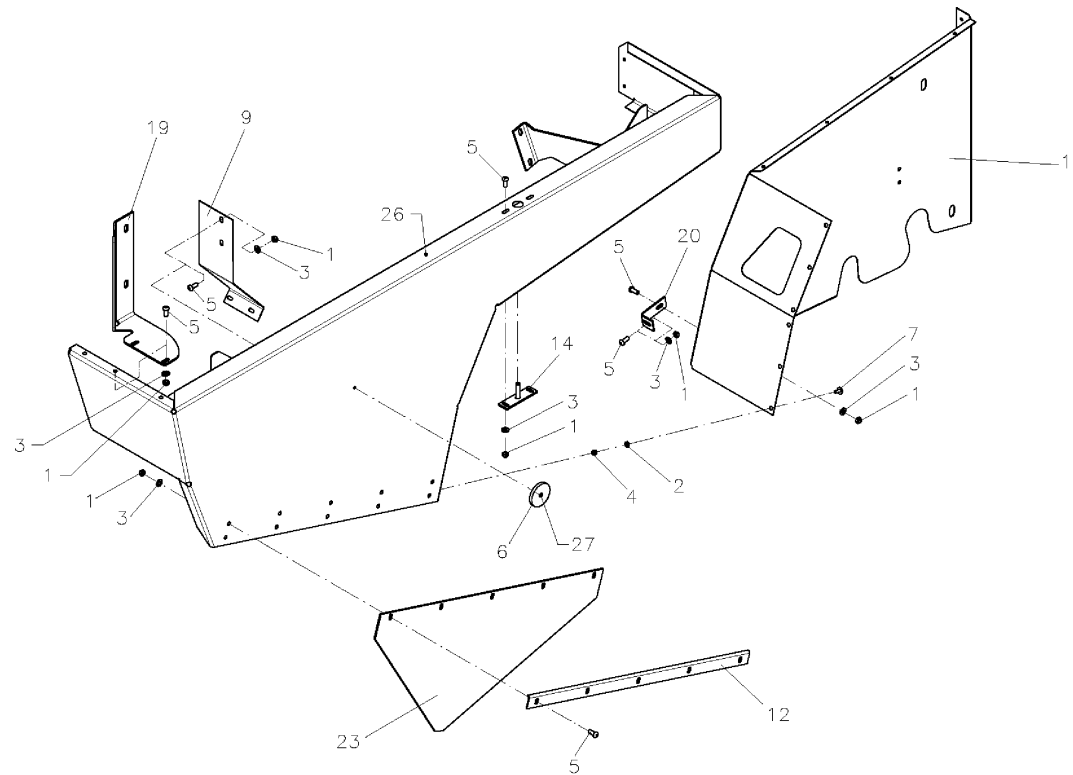
RF 235 / Panelling on side down

PosNo.	Part No.	Qty.	Description	Remark
1	KG01067561	15	LOCK NUT M8 8	
2	KG01267261	24	WASHER M6	
3	KG01267361	15	WASHER M8	
4	KG01067361	24	LOCK NUT M6 8	
5	VF01142565	15	TRUSS-HEAD SCREW	
6	VF06209473	1	HEX.HEAD SCREW	
7	VGND9889	1	REFLECTOR, YELLOW	
8	VF06214132	22	TRUSS-HEAD SCREW	
9	VF16616422.86	1	COVERING PIECE	
11	VF16651543	1	CROSS BAR	
12	VF16651822	1	LOCKING PLATE	
13	VF16652919.86	1	CAP	
14	VF16653269.86	1	SUPPORT	
15	VF16653426.86	1	PLATE	
16	VF16653427.86	1	FIXING ANGLE	
18	VF16653611	1	RUBBER PACKING	
20	VF16655387	1	CAP/VOVER	
21	VF06214992	1	RIVET	

RF 235 / panelling on side OC14



M06



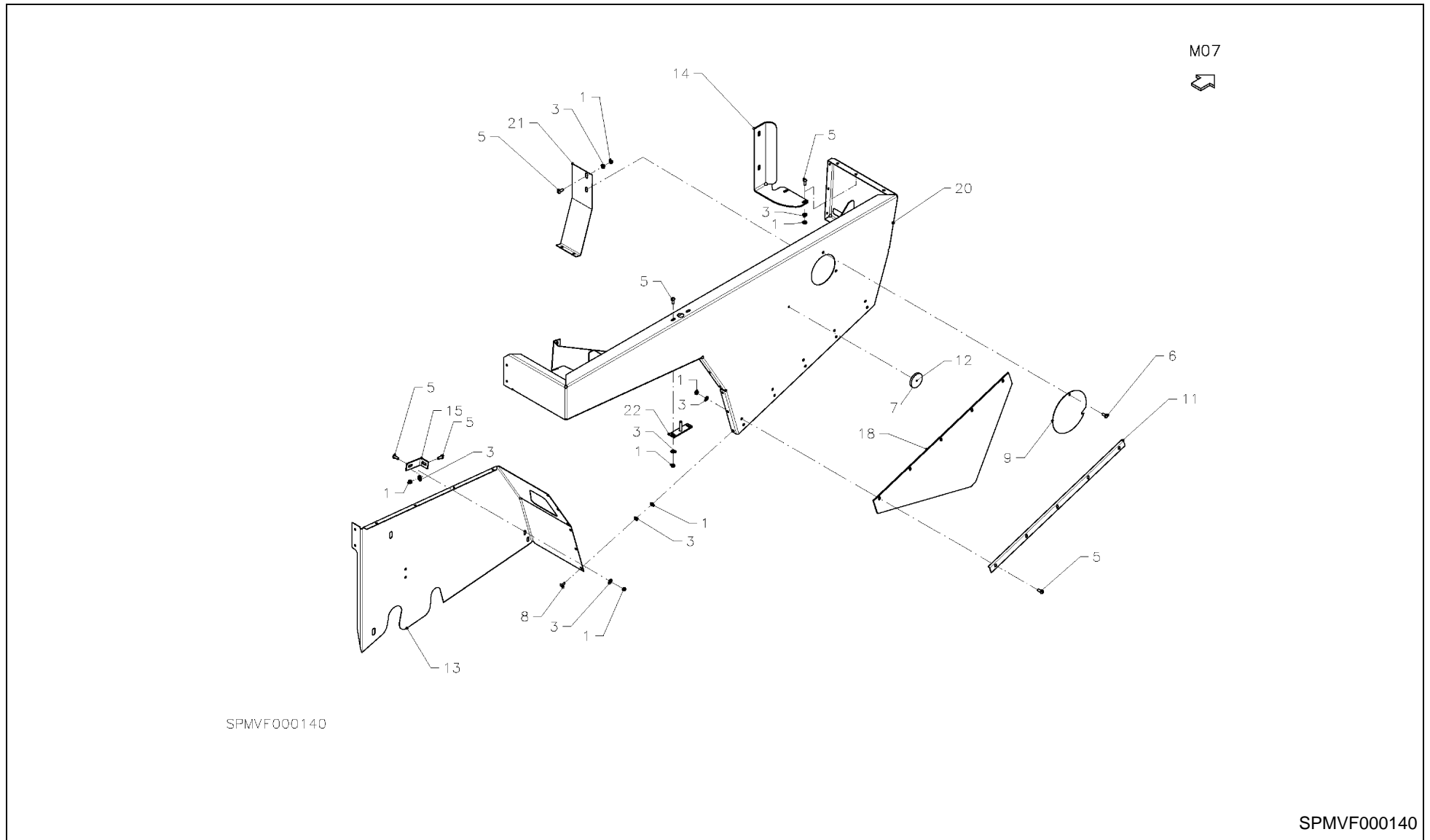
SPMVF000139

SPMVF000139



RF 235 / panelling on side OC14

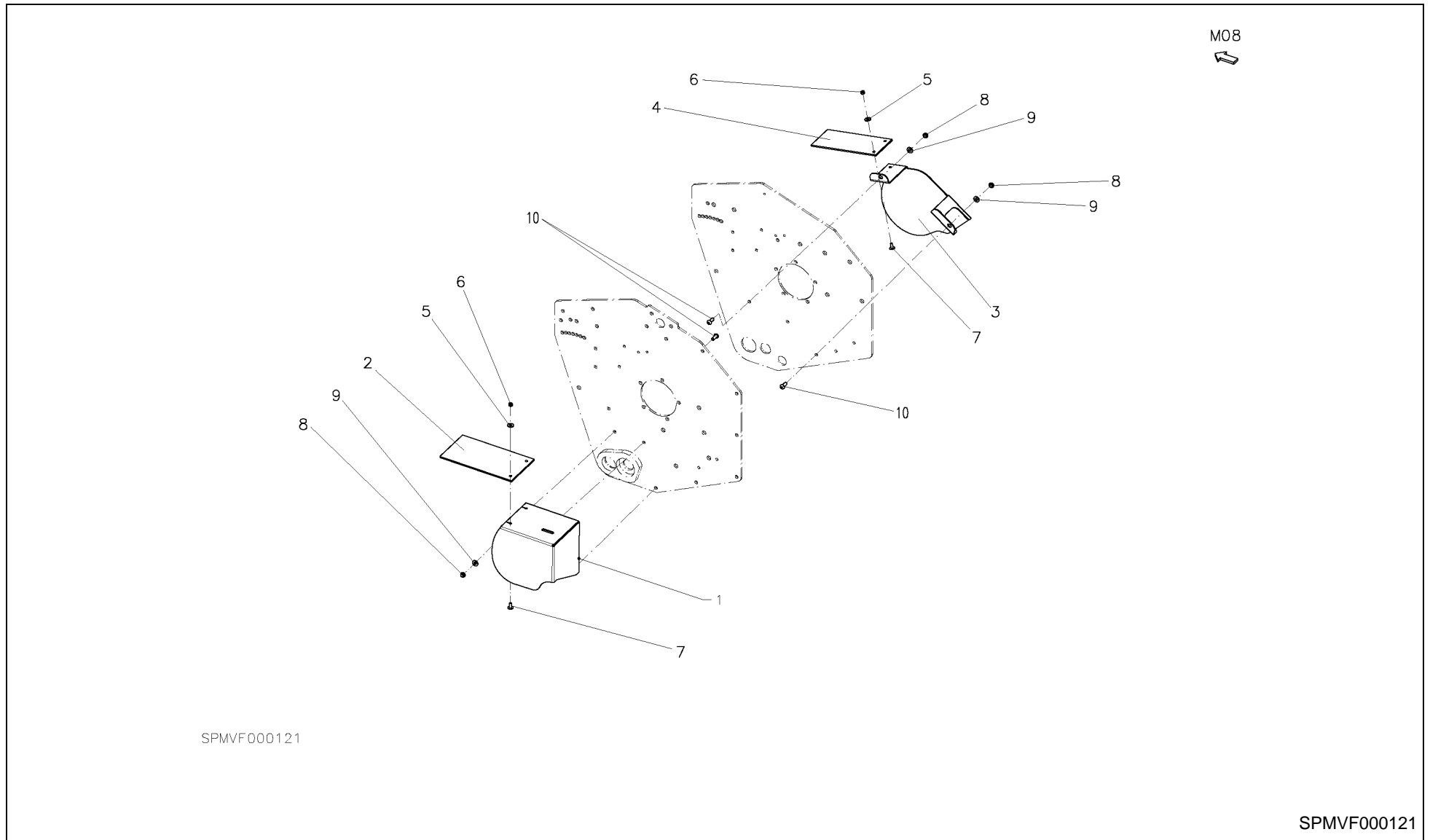
PosNo.	Part No.	Qty.	Description	Remark
1	KG01067561	15	LOCK NUT M8 8	
2	KG01267261	16	WASHER M6	
3	KG01267361	15	WASHER M8	
4	KG01067361	16	LOCK NUT M6 8	
5	VF01142565	15	TRUSS-HEAD SCREW	
6	VGND9889	1	REFLECTOR, YELLOW	
7	VF06214132	22	TRUSS-HEAD SCREW	
9	VF16617605.86	1	COVER	
12	VF16651543	1	CROSS BAR	
14	VF16651822	1	LOCKING PLATE	
17	VF16652918	1	CAP LEFT	
19	VF16653268	1	SUPPORT	
20	VF16653427	1	FIXING ANGLE	
23	VF16653611	1	RUBBER PACKING	
26	VF16655365	1	CAP/VOVER	
27	VF06214992	1	RIVET	





RF 235 / panelling on side OC14

PosNo.	Part No.	Qty.	Description	Remark
1	KG01067561	15	LOCK NUT M8 8	
2	KG01267261	16	WASHER M6	
3	KG01267361	15	WASHER M8	
4	KG01067361	16	LOCK NUT M6 8	
5	VF01142565	15	TRUSS-HEAD SCREW	
6	VF06209473	1	HEX.HEAD SCREW	
7	VGND9889	1	REFLECTOR, YELLOW	
8	VF06214132	16	TRUSS-HEAD SCREW	
9	VF16616422.86	1	COVERING PIECE	
11	VF16651543	1	CROSS BAR	
12	VF06214992	1	RIVET	
13	VF16652919	1	CAP RIGHT	
14	VF16653269	1	SUPPORT	
15	VF16653427	1	FIXING ANGLE	
18	VF16653611	1	RUBBER PACKING	
20	VF16655366	1	CAP/VOVER	
21	VF16653981.86	1	COVER	
22	VF16651822	1	LOCKING PLATE	



SPMVF000121

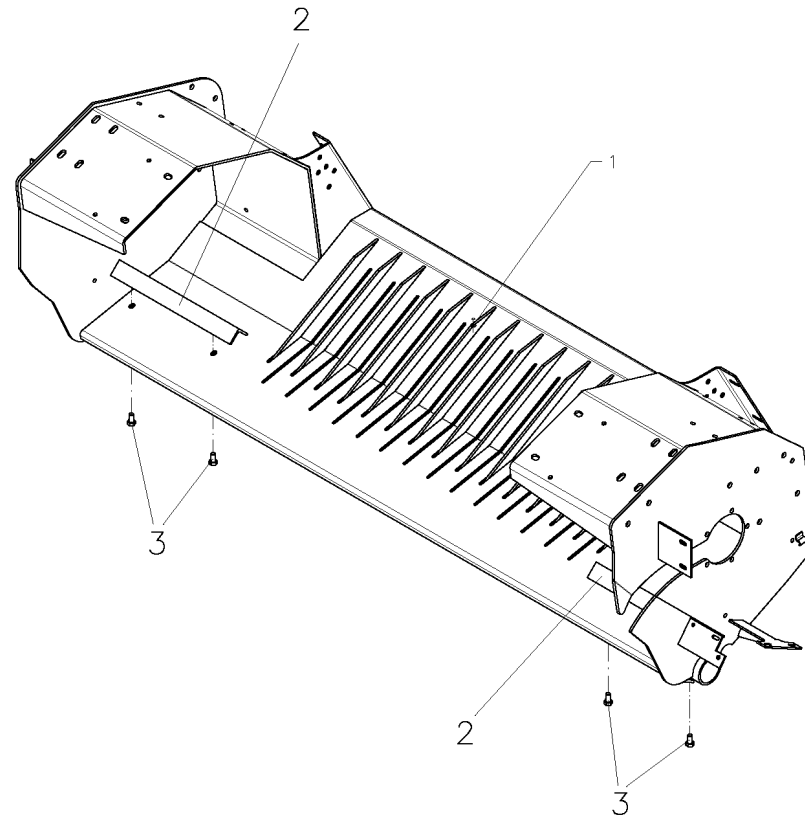
SPMVF000121

RF 235 / chain guard OC23



PosNo.	Part No.	Qty.	Description	Remark
1	VF16653541.86	1	COVER LEFT	
2	VF16653424	1	PLATE	
3	VF16653542.86	1	FRAME	
4	VF16653425	1	PLATE	
5	VGND3034V	4	WASHER, PLAIN 24/6MM	
6	KG01067361	4	LOCK NUT M6 8	
7	VF06214132	4	TRUSS-HEAD SCREW	
8	KG01067561	4	LOCK NUT M8 8	
9	VF06214246	4	WASHER	
10	VF01142565	4	TRUSS-HEAD SCREW	

P05



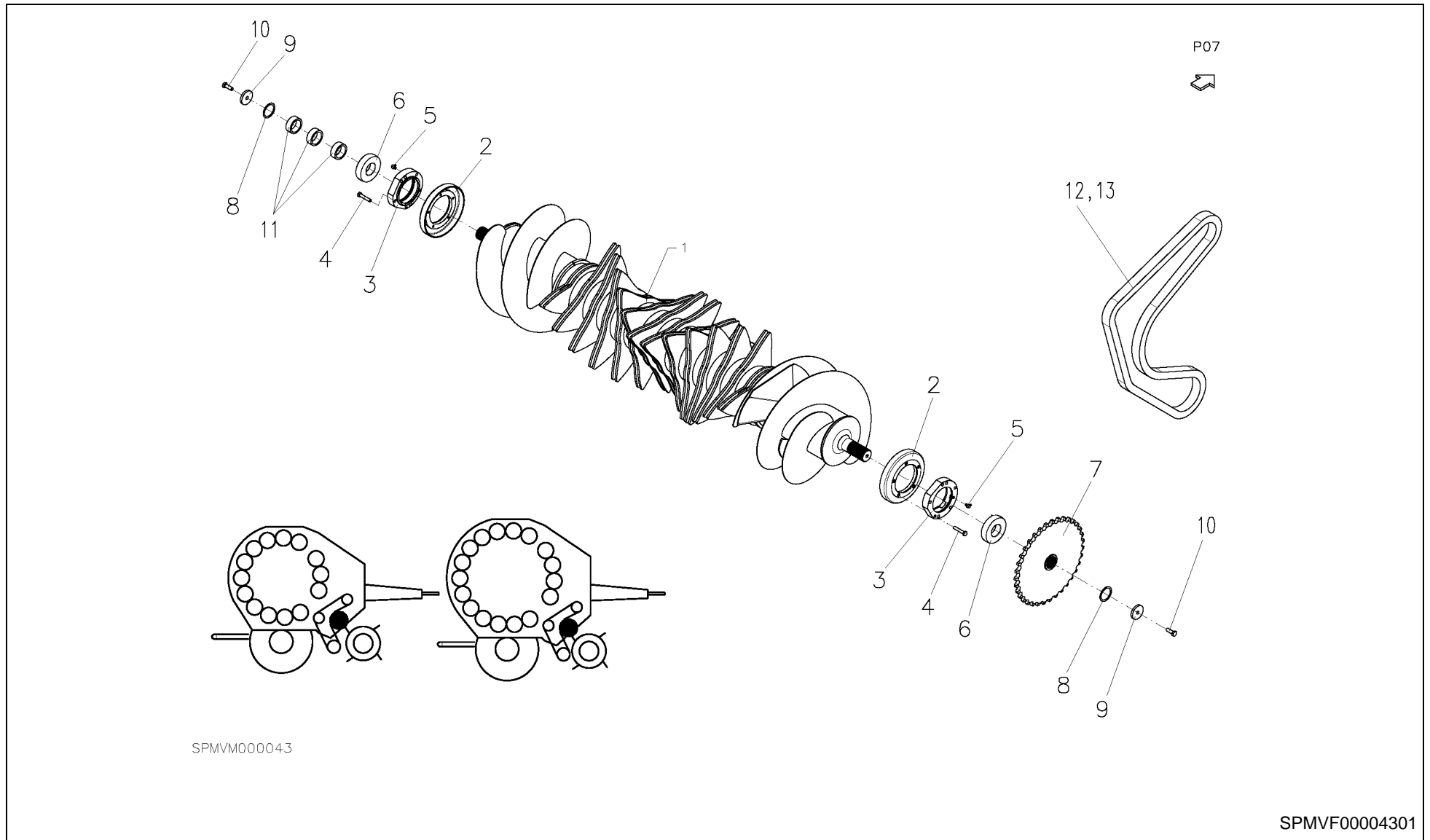
SPMVF000059

SPMVF00005901

RF 235 / chassis OC14



PosNo.	Part No.	Qty.	Description	Remark
1	VF16653650.86	1	CUTTING DEVICE	
2	VF16617478	2	SCRAPER/WIPER	
3	VF06209465	4	HEX.HEAD SCREW	

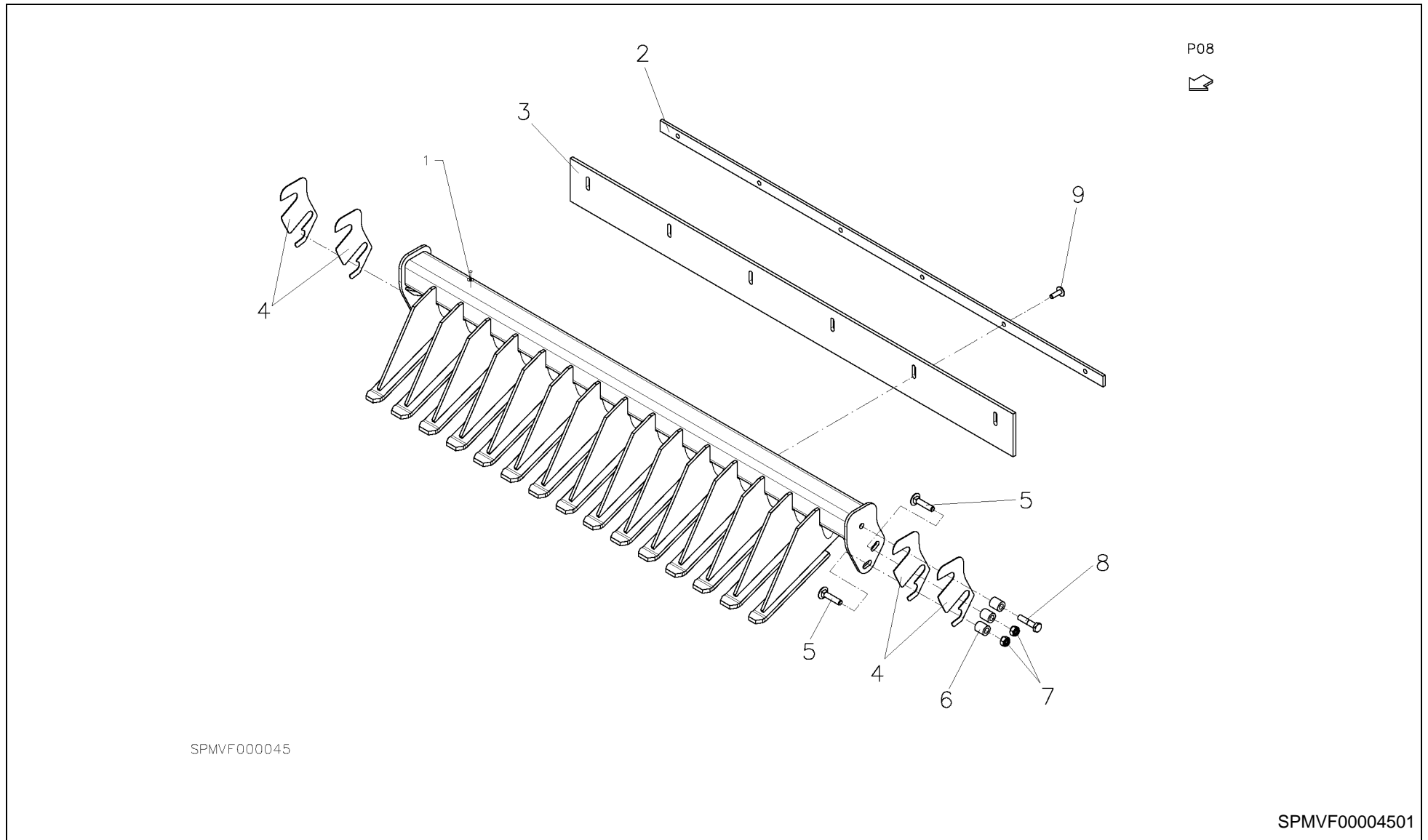


RF 235 / Rotor OC14



PosNo.	Part No.	Qty.	Description	Remark
1	VF16651695.86	1	TINE ROLLER	
2	VF16613956.86	2	ANTI WRAPPING DEVICE	
3	VF16613954.86	2	SUPPORT RIGHT	
4	VF06273756	10	SOCKET HEAD SCREW	
5	VF16616404	2	GREASE NIPPLE	
6	VF16614126	2	BALL BEARING	
7	VF16654554.86	1	CHAIN SPROCKET	
8	VGMT0063	4	SHIM SET	
9	VF16618448	2	WASHER	
10	VF06209459	2	HEX. HEAD SCREW	
11	VF16619058	3	SPACER TUBE	
12	VF16654557	1	CHAIN	
13	VF06213194	1	CHAIN LINK	

RF 235 / scraper/wiper 14 knife

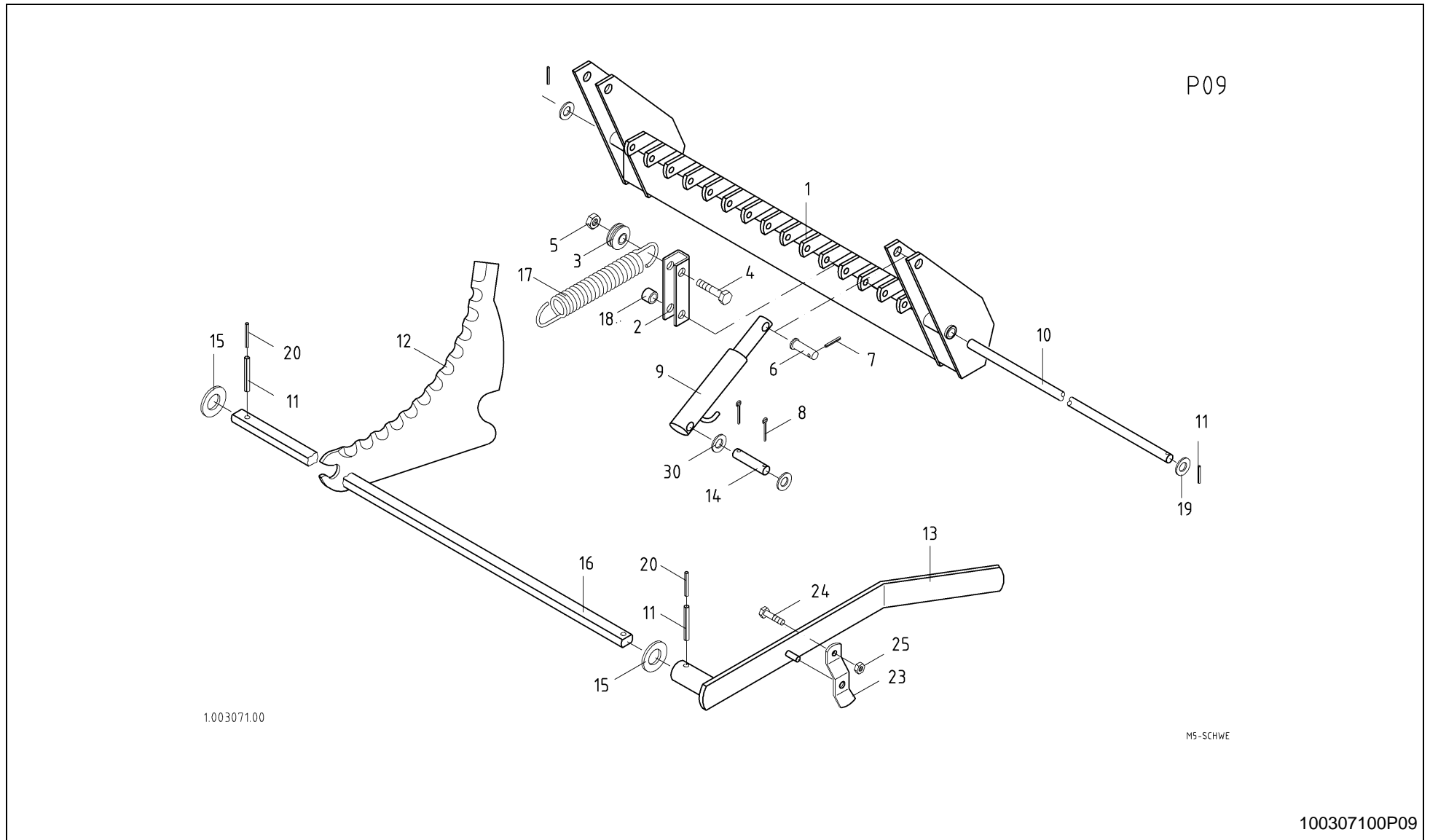




RF 235 / scraper/wiper 14 knife

PosNo.	Part No.	Qty.	Description	Remark
1	VF16652491.86	1	SCRAPER/WIPER	
2	VF16614652.86	1	CROSS BAR	
3	VF16614651	1	RUBBER PACKING	
4	VF16652466.86	4	ADJ.SHEET	
5	KG00641961	4	CARRIAGE BOLT M10X50 8.8	
6	VF16518997	6	SPACER TUBE	
7	KG01068861	4	LOCK NUT M10 10	
8	VF06209225	2	HEX HEAD SCREW	
9	VF01142856	6	TRUSS-HEAD SCREW	

RF 235 / cutting device 14 knife





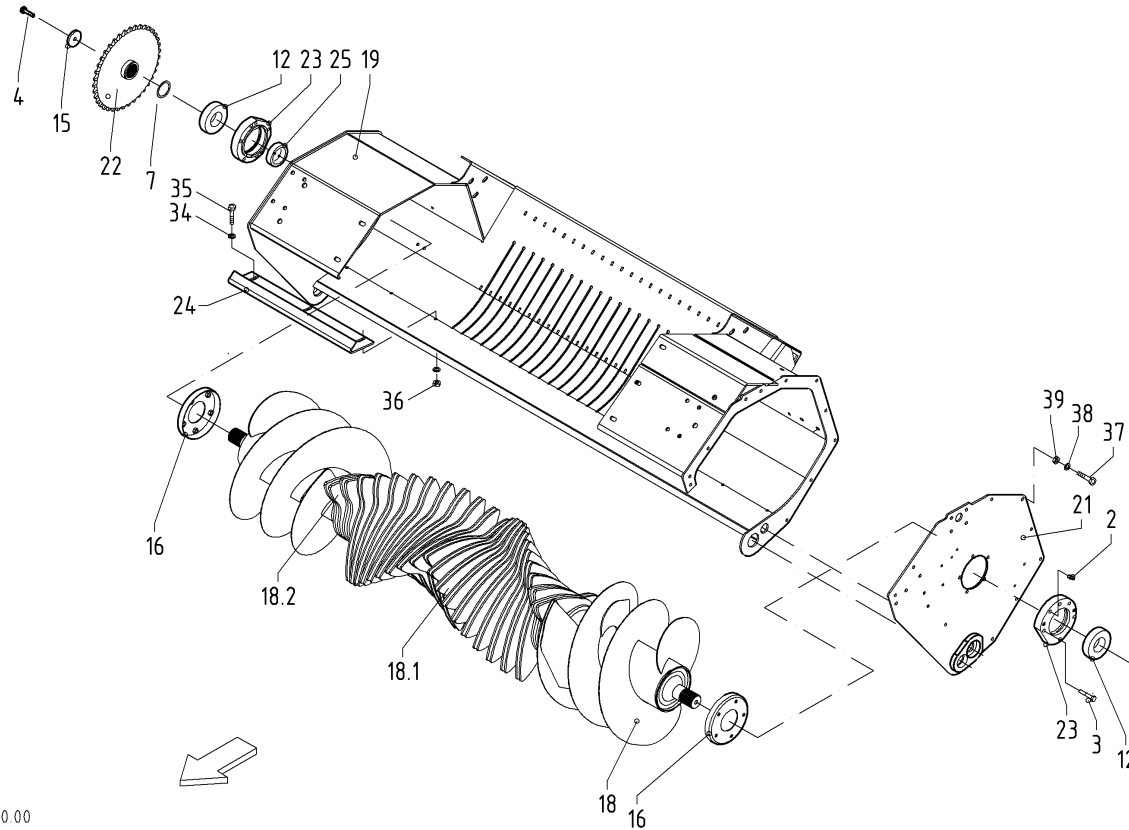
RF 235 / cutting device 14 knife

PosNo.	Part No.	Qty.	Description	Remark
1	VF16613976.86	1	FRAME	
2	VF06579564.86	14	YOKE/RETAINER	
3	VF16618515	14	ROLLER	
4	KG00355661	14	HEX. BOLT M10X60 8.8	
5	KG01068861	14	LOCK NUT M10 10	
6	VF16512862	2	PIN	
7	KG01186662	4	TENSION PIN 4X32	
8	VF01122071	4	SPLIT PIN	
9	VF06579628	2	HYDR. CYLINDER	
9	VF16513632		SEALING SET	
10	VF16655089	1	SHAFT	
11	VF01115457	3	DOWEL PIN	
12	VF16613168	14	KNIFE	
12	VF16653188	14	KNIFE	OPTION
12	VF16651648	14	KNIFE	OPTION
12	VF16613168	2	KNIFE	OPTION
13	VF16617521.86	1	LEVER	
14	VF06277506	2	PIN	
15	VF06214306	4	WASHER	
16	VF06579571	1	AXLE	
17	VF16618516	14	TENSION SPRING	
18	VF16512934	13	PIPE	
19	KG01267961	4	WASHER M20	
20	VF01157314	1	DOWEL PIN	
23	VF06552557	1	LEAF SPRING	
24	KG00468761	1	HEX. SCREW M6X16 8.8	
25	KG01067361	1	LOCK NUT M6 8	
30	VF06214306	4	WASHER	

RF 235 / cutting frame and Rotor OC 23



P10



51-979151/XX/P10.00

M5-SCHRO

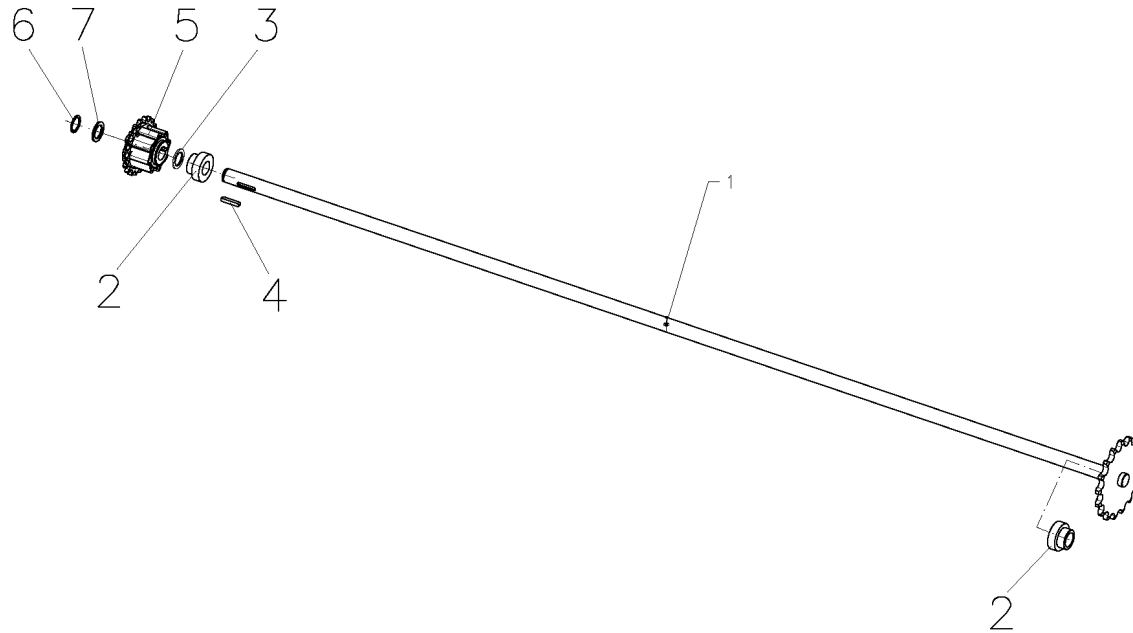
5197915100P10

RF 235 / cutting frame and Rotor OC 23



PosNo.	Part No.	Qty.	Description	Remark
2	VGND9813V	2	GREASE NIPPLE	
3	VF06273756	10	SOCKET HEAD SCREW	
4	VF06209459	1	HEX. HEAD SCREW	
7	VGMT0063	1	SHIM SET	
12	VF16614126	2	BALL BEARING	
15	VF16618448	1	WASHER	
16	VF16619098.61	2	PROTECTIVE DEVICE	
18	VF16652480.86	1	ROTOR	
18.1	VF16652478	1	PRONG	
18.2	VF16652488	1	2-TINE	
19	VF16619855.86	1	FRAME	
19	VF16655895.86	1	FRAME	
22	VF16652749.86	1	CHAIN SPROCKET	
23	VF16651156	2	HOUSING	
24	VF16651307.86	2	SCRAPER	
25	VF16651696	1	BEARING RACE	
34	VF06214208	12	WASHER	
35	VF01142987	6	HEX.BOLT	
36	KG01068961	6	LOCK NUT M12 10	
37	KG00474461	16	HEX. SCREW M10X35 8.8	
38	KG01267461	10	WASHER M10	
39	KG01067661	10	LOCK NUT M10 8	

P11
↩



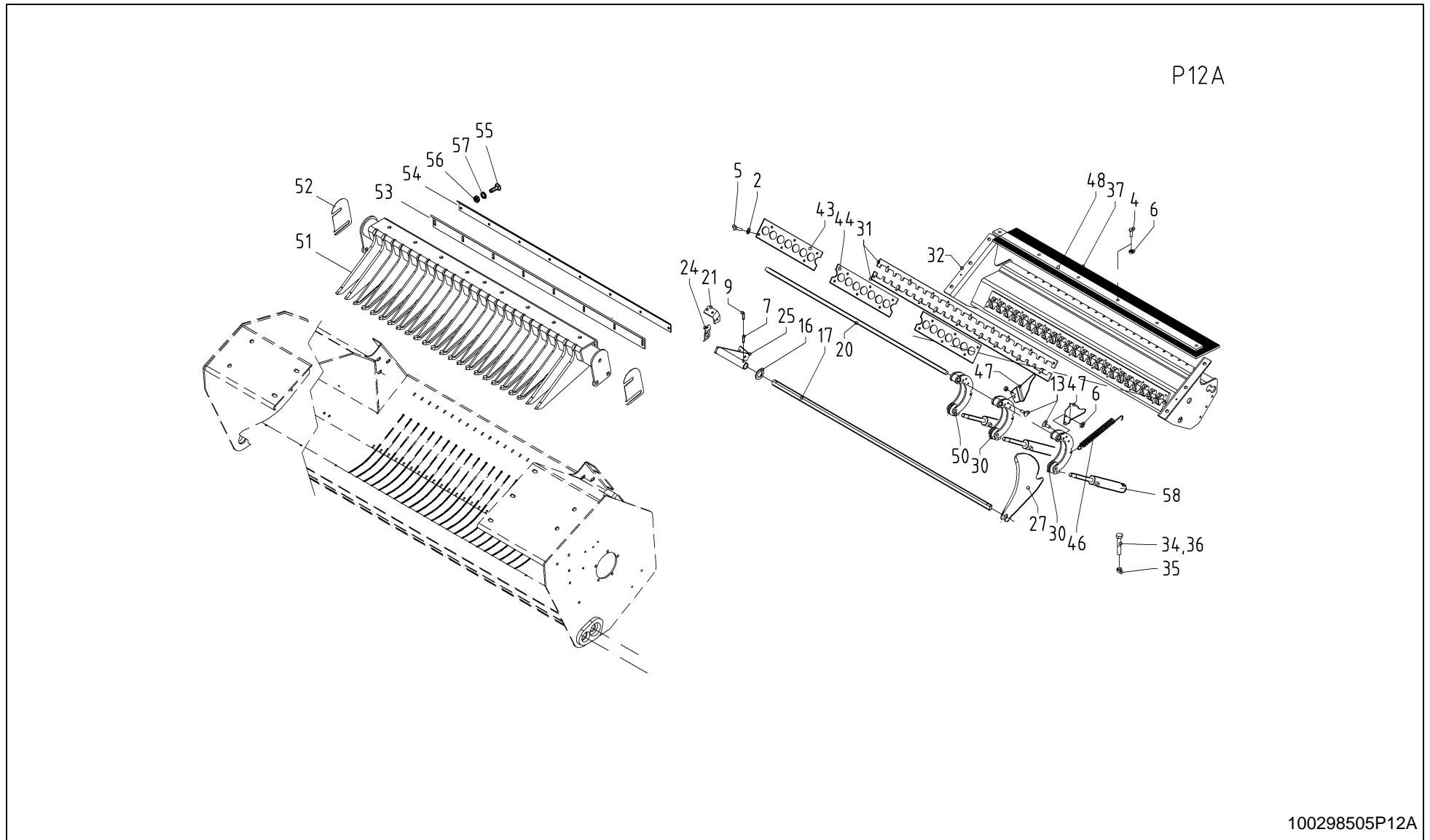
SPMVF000100

SPMVF00010001

RF 235 / drive shaft OC23



PosNo.	Part No.	Qty.	Description	Remark
1	VF16653296.86	1	DRIVE SHAFT	
2	VF16619111	2	BEARING	
3	VF06214481	7	SPACER	
4	KG01307200	1	KEY 8X7X45	
5	VF16653968	1	PIPE/TUBE	
6	KG01108862	1	CIRCLIP-A 30 X 1.5	
7	VGND3138V	1	RING	

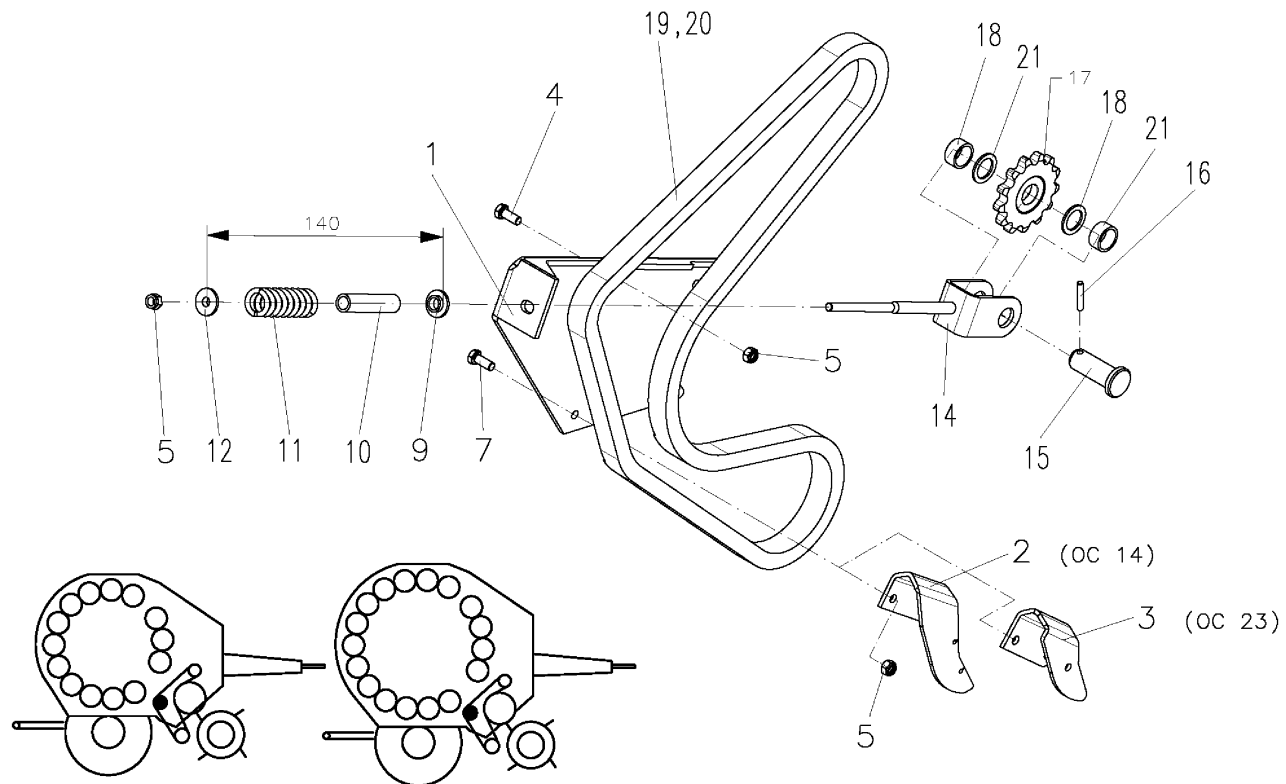




RF 235 / cutting device OC 23

PosNo.	Part No.	Qty.	Description	Remark
2	KG01281661	18	SPRING WASHER M8	
4	KG00468961	6	HEX. SCREW M6X20 8.8	
5	KG00472161	18	HEX. SCREW M8X25 8.8	
6	KG01067361	10	LOCK NUT M6 8	
7	VF01115457	2	DOWEL PIN	
9	VF01157314	2	DOWEL PIN	
13	VF06214132	4	TRUSS-HEAD SCREW	
16	VF06214306	4	WASHER	
17	VF06579571	1	AXLE	
20	VF16619106	1	BAR	
21	VF16619169.86	1	RETRAINER	
24	VF16619716	1	SPRING	
25	VF16619724.86	1	LEVER	
27	VF16650699	23	KNIFE	
30	VF16652067	2	ABSTÄ#TZUNG VORMONT	
31	VF16650998	2	LEDGE	
32	VF16651042.86	1	SUPPORT	
34	VF06209473	2	HEX.HEAD SCREW	
35	KG01067561	3	LOCK NUT M8 8	
36	KG00471961	3	HEX. SCREW M8X20 8.8	
37	VF16651157	1	PROTECTION CURTAIN	
43	VF16651203.86	2	PLATE	
44	VF16651204.86	1	PLATE	
46	VF16651304	23	SPRING	
47	VF16651313.86	2	SENSOR PLATE	
48	VF16651331	1	LEDGE	
50	VF16652067	21	ABSTÄ#TZUNG VORMONT	
51	VF16652476.86	1	SCRAPER	
52	VF16652896	8	SUPPORT	
53	VF16652485	1	SCRAPER	
54	VF16652897.86	1	ANGLED PLATE	
55	VF01141006	8	TRUSS-HEAD SCREW	
56	KG01067561	8	LOCK NUT M8 8	
57	KG01267361	8	WASHER M8	
58	VF16651207	23	HYDR.RAM	B D07

P13



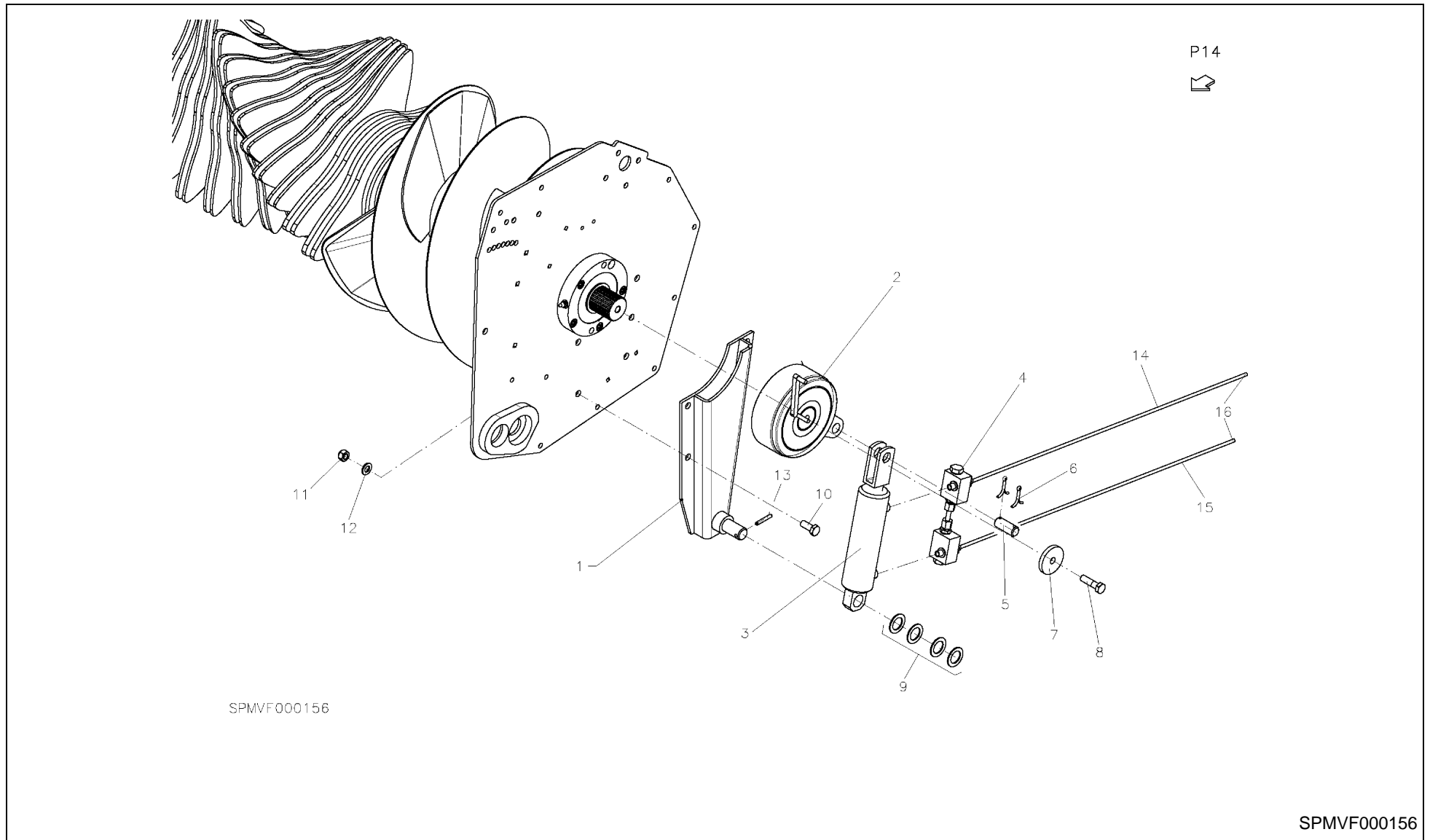
SPMVF000044

SPMVF00004401

RF 235 / tensioner



PosNo.	Part No.	Qty.	Description	Remark
1	VF16653978.86	1	PLATE	
2	VF16654808.86	1	CHAIN GUIDE PIECE	
3	VF16654807.86	1	KETTENBERUHIGER OC23	
4	KG00476561	4	HEX. SCREW M12X30 8.8	
5	KG01068961	6	LOCK NUT M12 10	
7	KG00476661	2	HEX. SCREW M12X35 8.8	
9	VF16653934	1	WASHER	
10	VF16653968	1	PIPE/TUBE	
11	VF06215432	1	COMPRESSION SPRING	
12	VF06550817	1	SPRING CUP	
14	VF16654528.86	1	TENSIONER CHAIN	
15	VF16654530	1	PIN	
16	KG01191962	1	TENSION PIN 8X45	
17	VF16654532.86	1	SPROCKET	
18	VF16614124	2	SPACER TUBE	
19	VF16654557	1	CHAIN	
20	VF06213194	1	CHAIN LINK	
21	VF06214321	2	WASHER	



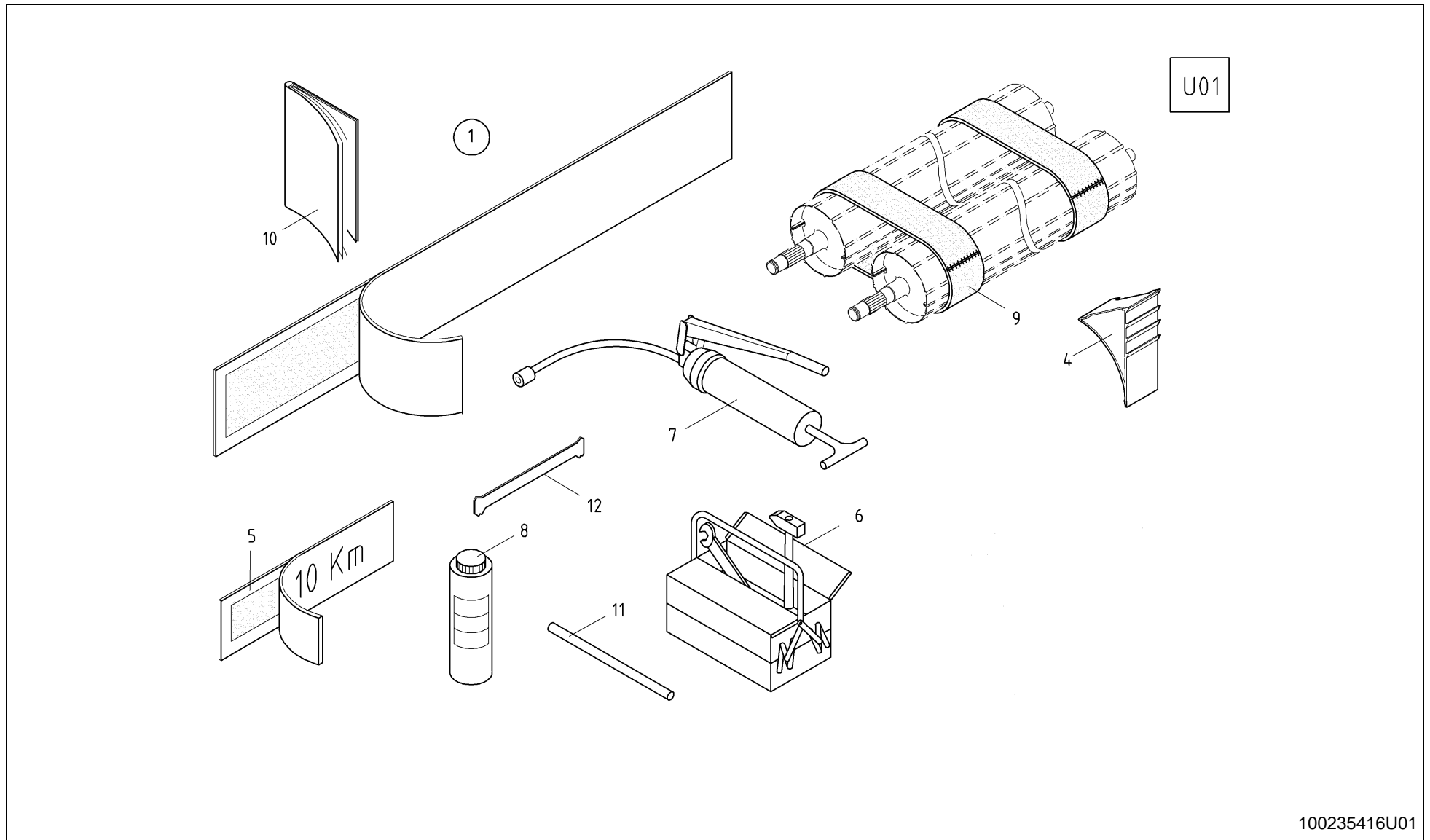
SPMVF000156

SPMVF000156

RF 235 / PRP-System



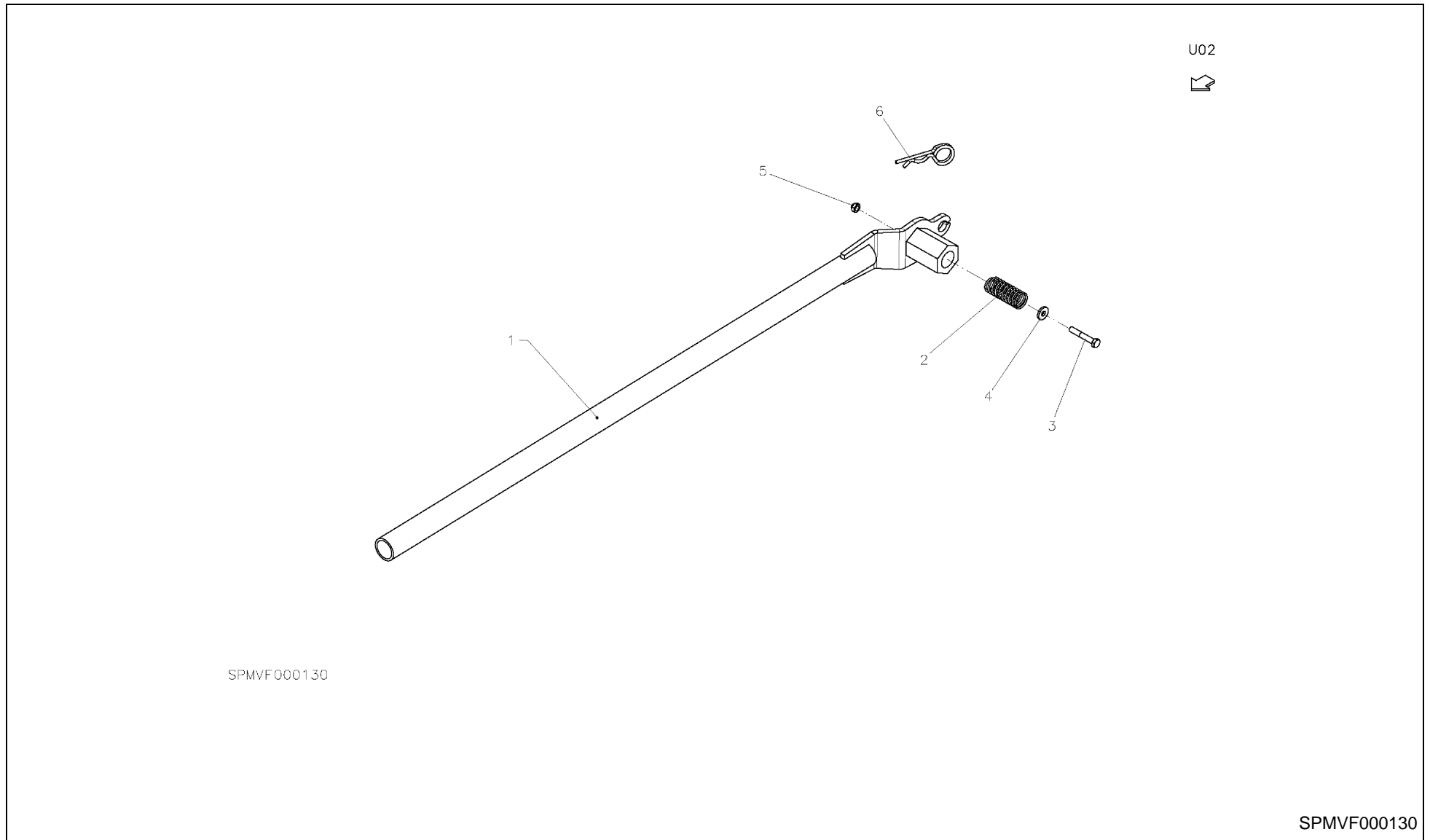
PosNo.	Part No.	Qty.	Description	Remark
1	VF16652041.86	1	ZYL.LAGERUNG LI.GSW.	
2	VF16654232.86	1	FREILAUFKUPPLUNG UMSCHALTBAR	
3	VF16651675	1	HYDRAULIKZYLINDER 50-30-0062	
4	VF16654269	1	DOPPEL DBV 170 BAR 2 FACH	
5	VF06209953	1	PIN	
6	KG01252661	2	SPLIT PIN 5X32 ST	
7	VF16618448	1	WASHER	
8	KG00476661	1	HEX. SCREW M12X35 8.8	
9	VF06214313	5	WASHER	
10	KG00476561	5	HEX. SCREW M12X30 8.8	
11	KG01267561	5	WASHER M12	
12	KG01068961	5	LOCK NUT M12 10	
13	KG01189662	1	TENSION PIN 6X40	
14	VF16501745	1	HYDR.HOSE	
15	VF16618202	1	HYDR.HOSE	
16	VF01141654	2	T-UNION	





RF 235 / decals paint

PosNo.	Part No.	Qty.	Description	Remark
1	VF16655801		ERS.AUFKLEBER RF 235	
5	VF02953331		LABEL 10KM	OPTION
6	VF16615499		SET OF TOOLS	
7	VF06215179		GREASE GUN	
7	VF02953321		LUBRICANT	
7	VF06513515		LUBE HOSE	
8	VF01397890		OIL	
10	VF16655072		OPERAT. MANUAL RF 235/225	
12	VF16653075	1	RULER FOR ABRASION TEST	





RF 235 / key

PosNo.	Part No.	Qty.	Description	Remark
1	VF16653942.86	1	KEY	
2	VF01141454	1	SPRING	
3	KG00353461	1	HEX. BOLT M8X50 8.8	
4	VF06214193	1	WASHER	
5	KG01067561	1	LOCK NUT M8 8	
6	VGPZ160V	1	SPRING CLIP DIAM 3MM	

RF 235 / Part No Index



Part No.	Page	Pos No	Part No.	Page	Pos No	Part No.	Page	Pos No	Part No.	Page	Pos No
06209185	18	26	KG00356261	37	9	KG00468961	34	47	KG00474261	55	46
06571341	18	27	KG00356361	14	42	KG00468961	41	61	KG00474361	3	9
KG00160200	1	3	KG00356361	15	42	KG00468961	78	4	KG00474361	4	22
KG00337861	41	58	KG00356461	4	4	KG00469361	34	17	KG00474361	14	10
KG00338861	11	44	KG00356461	52	23	KG00471761	1	4	KG00474361	15	10
KG00339261	6	20	KG00357561	3	3	KG00471761	24	29	KG00474361	27	5
KG00339261	7	22	KG00357561	4	21	KG00471761	35	85	KG00474361	29	5
KG00350961	24	36	KG00358061	40	21	KG00471761	52	19	KG00474361	30	4
KG00351161	24	26	KG00358261	7	23	KG00471961	2	6	KG00474361	33	5
KG00351261	38	5	KG00358461	6	21	KG00471961	20	5	KG00474361	42	31
KG00351261	40	3	KG00362561	56	12	KG00471961	42	6	KG00474361	45	8
KG00351261	52	15	KG00362861	10	20	KG00471961	45	16	KG00474361	55	47
KG00353161	24	34	KG00362861	11	48	KG00471961	46	10	KG00474361	59	18
KG00353161	40	19	KG00363361	10	19	KG00471961	64	4	KG00474361	65	11
KG00353261	30	9	KG00363361	11	47	KG00471961	66	18	KG00474361	66	19
KG00353261	34	12	KG00367961	43	10	KG00471961	78	36	KG00474461	16	2
KG00353261	40	20	KG00458961	44	8	KG00472100	13	58	KG00474461	37	10
KG00353461	23	16	KG00458961	59	5	KG00472161	26	11	KG00474461	47	3
KG00353461	39	6	KG00458961	62	25	KG00472161	42	28	KG00474461	54	7
KG00353461	82	3	KG00466161	35	16	KG00472161	78	5	KG00474461	55	48
KG00353661	53	28	KG00468561	35	27	KG00472261	14	4	KG00474461	76	37
KG00353661	55	45	KG00468561	40	22	KG00472261	18	22	KG00474961	64	1
KG00353861	20	11	KG00468761	24	33	KG00472261	45	25	KG00476461	45	12
KG00354261	14	4	KG00468761	36	84	KG00472561	24	31	KG00476461	55	49
KG00355261	42	19	KG00468761	38	3	KG00474061	41	19	KG00476561	42	14
KG00355461	14	24	KG00468761	41	62	KG00474261	1	5	KG00476561	53	38
KG00355561	35	67	KG00468761	42	34	KG00474261	30	27	KG00476561	79	4
KG00355561	62	24	KG00468761	66	17	KG00474261	34	18	KG00476561	80	10
KG00355661	65	6	KG00468761	75	24	KG00474261	35	82	KG00476661	48	9
KG00355661	75	4	KG00468961	14	28	KG00474261	37	8	KG00476661	79	7
KG00355861	11	5	KG00468961	15	28	KG00474261	40	4	KG00476661	80	8
KG00355861	13	18	KG00468961	30	12	KG00474261	42	41	KG00476761	6	22
KG00356261	35	73	KG00468961	31	41	KG00474261	53	42	KG00476961	3	6

RF 235 / Part No Index



Part No.	Page	Pos No	Part No.	Page	Pos No	Part No.	Page	Pos No	Part No.	Page	Pos No
KG00476961	4	23	KG01052161	3	7	KG01067361	71	6	KG01067561	70	1
KG00476961	42	18	KG01052161	4	25	KG01067361	75	25	KG01067561	71	8
KG00476961	42	22	KG01052161	13	55	KG01067361	78	6	KG01067561	78	35
KG00477061	24	37	KG01052161	40	24	KG01067561	12	30	KG01067561	78	56
KG00480161	1	6	KG01052161	42	17	KG01067561	13	60	KG01067561	82	5
KG00480161	48	10	KG01052161	46	12	KG01067561	13	69	KG01067661	3	11
KG00480361	43	16	KG01052361	6	2	KG01067561	14	7	KG01067661	4	26
KG00480461	10	14	KG01052361	6	2	KG01067561	15	7	KG01067661	11	7
KG00481961	12	26	KG01052361	7	1	KG01067561	18	23	KG01067661	13	20
KG00481961	13	64	KG01067161	52	12	KG01067561	20	12	KG01067661	14	25
KG00545161	53	15	KG01067161	52	27	KG01067561	20	4	KG01067661	18	24
KG00637061	64	7	KG01067261	31	43	KG01067561	23	17	KG01067661	27	3
KG00637061	65	19	KG01067361	14	29	KG01067561	24	30	KG01067661	29	6
KG00639061	54	5	KG01067361	15	29	KG01067561	26	12	KG01067661	33	6
KG00639161	66	20	KG01067361	24	28	KG01067561	34	13	KG01067661	34	19
KG00641561	55	50	KG01067361	30	13	KG01067561	35	74	KG01067661	45	10
KG00641961	74	5	KG01067361	31	40	KG01067561	39	8	KG01067661	53	45
KG00672863	52	16	KG01067361	34	16	KG01067561	40	26	KG01067661	54	8
KG00861661	46	11	KG01067361	34	48	KG01067561	41	27	KG01067661	64	8
KG00861661	62	26	KG01067361	35	65	KG01067561	42	30	KG01067661	65	7
KG00891863	52	11	KG01067361	35	7	KG01067561	42	7	KG01067661	66	2
KG00917600	4	24	KG01067361	36	34	KG01067561	45	18	KG01067661	76	39
KG01051661	49	8	KG01067361	37	4	KG01067561	45	27	KG01068161	43	11
KG01051761	52	51	KG01067361	38	7	KG01067561	46	13	KG01068761	22	13
KG01051961	40	23	KG01067361	40	25	KG01067561	52	20	KG01068861	6	23
KG01051961	41	26	KG01067361	41	63	KG01067561	53	18	KG01068861	16	3
KG01051961	55	51	KG01067361	42	36	KG01067561	55	52	KG01068861	35	20
KG01052061	14	12	KG01067361	64	5	KG01067561	64	2	KG01068861	35	68
KG01052061	15	12	KG01067361	65	16	KG01067561	65	23	KG01068861	35	75
KG01052061	30	2	KG01067361	67	4	KG01067561	66	21	KG01068861	37	7
KG01052061	35	64	KG01067361	68	4	KG01067561	67	27	KG01068861	40	27
KG01052061	41	20	KG01067361	69	4	KG01067561	68	1	KG01068861	42	20
KG01052061	65	9	KG01067361	70	4	KG01067561	69	1	KG01068861	42	33

RF 235 / Part No Index



Part No.	Page	Pos No	Part No.	Page	Pos No	Part No.	Page	Pos No	Part No.	Page	Pos No
KG01068861	42	43	KG01069161	48	12	KG01130500	62	27	KG01251861	13	54
KG01068861	43	20	KG01069161	56	13	KG01130500	63	26	KG01252061	1	9
KG01068861	47	5	KG01081800	1	7	KG01130900	60	26	KG01252661	80	6
KG01068861	52	24	KG01083061	10	9	KG01131100	60	12	KG01252961	10	6
KG01068861	55	53	KG01083061	11	12	KG01131100	61	12	KG01252961	11	13
KG01068861	56	17	KG01083061	12	21	KG01131100	63	2	KG01252961	12	22
KG01068861	74	7	KG01083061	13	4	KG01184962	27	17	KG01252961	13	5
KG01068861	75	5	KG01097600	36	35	KG01184962	31	17	KG01253861	18	2
KG01068961	3	5	KG01107300	36	37	KG01186062	35	15	KG01267061	52	13
KG01068961	4	27	KG01107300	41	52	KG01186062	36	15	KG01267061	52	17
KG01068961	5	9	KG01107400	36	56	KG01186262	35	12	KG01267261	14	44
KG01068961	7	24	KG01107400	41	50	KG01186662	75	7	KG01267261	15	44
KG01068961	24	38	KG01107400	53	23	KG01186862	6	28	KG01267261	24	27
KG01068961	26	13	KG01107500	53	50	KG01186862	7	27	KG01267261	36	86
KG01068961	42	16	KG01107500	55	55	KG01188462	41	6	KG01267261	37	3
KG01068961	45	14	KG01107862	6	26	KG01188462	42	11	KG01267261	38	4
KG01068961	48	11	KG01108862	6	27	KG01189662	80	13	KG01267261	40	1
KG01068961	53	37	KG01108862	7	26	KG01190062	53	48	KG01267261	52	50
KG01068961	55	54	KG01108862	53	59	KG01191962	5	2	KG01267261	66	1
KG01068961	56	6	KG01108862	53	73	KG01191962	57	8	KG01267261	67	2
KG01068961	57	19	KG01108862	55	56	KG01191962	79	16	KG01267261	68	2
KG01068961	76	36	KG01108862	77	6	KG01194562	9	24	KG01267261	69	2
KG01068961	79	5	KG01109862	4	28	KG01195262	12	6	KG01267261	70	2
KG01068961	80	12	KG01110162	3	16	KG01195262	13	40	KG01267361	12	29
KG01069161	6	24	KG01110162	60	2	KG01247461	35	2	KG01267361	13	68
KG01069161	6	25	KG01110200	58	6	KG01249661	41	23	KG01267361	39	3
KG01069161	7	25	KG01119100	1	8	KG01249661	52	31	KG01267361	39	7
KG01069161	10	16	KG01127500	36	65	KG01251461	40	28	KG01267361	42	8
KG01069161	11	46	KG01128000	58	5	KG01251561	21	6	KG01267361	67	3
KG01069161	12	28	KG01128200	41	4	KG01251561	27	20	KG01267361	68	3
KG01069161	13	66	KG01130500	59	20	KG01251561	30	22	KG01267361	69	3
KG01069161	43	14	KG01130500	60	22	KG01251561	31	20	KG01267361	70	3
KG01069161	44	9	KG01130500	61	22	KG01251561	34	22	KG01267361	78	57

RF 235 / Part No Index



Part No.	Page	Pos No	Part No.	Page	Pos No	Part No.	Page	Pos No	Part No.	Page	Pos No
KG01267461	3	10	KG01267561	42	15	KG01281661	13	59	VF01102550	49	12
KG01267461	6	1	KG01267561	45	13	KG01281661	78	2	VF01104181	35	6
KG01267461	11	6	KG01267561	48	13	KG01282061	1	10	VF01104181	53	55
KG01267461	14	11	KG01267561	80	11	KG01306900	53	63	VF01104181	55	1
KG01267461	15	11	KG01267761	10	15	KG01306900	55	61	VF01105524	49	7
KG01267461	16	4	KG01267761	11	45	KG01307200	53	76	VF01107166	13	53
KG01267461	18	1	KG01267761	12	27	KG01307200	77	4	VF01107552	40	2
KG01267461	27	4	KG01267761	13	65	KG01355200	41	3	VF01110522	36	33
KG01267461	30	3	KG01267761	31	33	KG01375600	36	64	VF01110595	4	1
KG01267461	34	20	KG01267761	36	51	KG01379500	56	4	VF01115040	30	23
KG01267461	35	81	KG01267761	36	55	KG01379500	57	14	VF01115040	34	23
KG01267461	37	6	KG01267761	41	49	KG01382800	1	11	VF01115307	35	30
KG01267461	41	22	KG01267761	43	15	KG01461100	7	2	VF01115457	75	11
KG01267461	42	32	KG01267761	44	1	KG01476400	58	4	VF01115457	78	7
KG01267461	42	42	KG01267761	48	3	KG01478400	60	8	VF01116029	48	1
KG01267461	43	21	KG01267761	57	6	KG01478400	61	8	VF01116626	34	30
KG01267461	45	23	KG01267961	6	6	KG01501100	16	5	VF01116677	23	5
KG01267461	45	9	KG01267961	7	4	KG01799200	10	7	VF01116679	20	15
KG01267461	47	4	KG01267961	41	9	KG01799200	11	38	VF01116682	27	24
KG01267461	52	30	KG01267961	43	12	KG01799200	12	20	VF01116682	31	24
KG01267461	53	57	KG01267961	75	19	KG01799200	13	32	VF01118736	28	2
KG01267461	55	2	KG01273561	42	29	KG01799800	1	12	VF01118736	29	13
KG01267461	55	58	KG01273561	53	29	KG01800100	1	13	VF01118736	30	20
KG01267461	64	3	KG01273561	55	59	KG01802600	10	8	VF01118736	32	2
KG01267461	65	8	KG01273561	64	6	KG01802600	11	37	VF01118736	33	13
KG01267461	76	38	KG01273561	66	22	MT00000189	52	2	VF01118736	34	8
KG01267561	6	5	KG01273661	40	29	MT00000190	52	42	VF01119778	35	3.1
KG01267561	7	28	KG01273661	55	60	UH415828	43	19	VF01120693	25	6
KG01267561	13	51	KG01273661	56	16	UH415829	43	18	VF01120694	3	17
KG01267561	24	39	KG01273661	58	7	UH415830-K	43	17	VF01120694	4	3
KG01267561	27	21	KG01273661	66	23	UH415903	17	10.2	VF01120694	62	1
KG01267561	31	21	KG01281461	49	15	VF01100600	31	31	VF01120694	63	3
KG01267561	41	59	KG01281561	52	49	VF01102494	57	7	VF01120923	40	5

RF 235 / Part No Index



Part No.	Page	Pos No	Part No.	Page	Pos No	Part No.	Page	Pos No	Part No.	Page	Pos No
VF01121332	49	27	VF01139169	15	9	VF01142826	37	2	VF01211882	34	46
VF01121332	52	33	VF01141006	78	55	VF01142826	42	37	VF01237560	49	14
VF01121409	49	11	VF01141364	56	1	VF01142826	65	17	VF01397600	6	4
VF01121766	29	19	VF01141364	57	15	VF01142838	42	21	VF01397600	7	3
VF01121766	33	19	VF01141454	82	2	VF01142844	48	2	VF01397606	17	4.1
VF01121766	34	35	VF01141494	54	16	VF01142856	12	31	VF01397606	17	8.1
VF01121797	11	36	VF01141654	80	16	VF01142856	13	67	VF01397747	8	3.1
VF01121808	10	13	VF01142017.86	41	51	VF01142856	74	9	VF01397863	14	9
VF01121808	11	35	VF01142023	30	25	VF01142987	76	35	VF01397863	53	30
VF01122071	75	8	VF01142023	34	49	VF01157314	75	20	VF01397863	54	6
VF01125146	29	12	VF01142077	40	31	VF01157314	78	9	VF01397863	55	8
VF01125146	33	12	VF01142083	29	18	VF01157397	40	17	VF01397881	64	19
VF01125146	34	28	VF01142083	33	18	VF01157427	53	58	VF01397881	65	14
VF01125152	34	29	VF01142083	34	36	VF01157427	55	6	VF01397887	39	2
VF01126749	53	34	VF01142246	29	22	VF01162414	49	10	VF01397890	81	8
VF01132294	31	42	VF01142246	30	7	VF01170940	53	65	VF01397910	54	10
VF01132625	40	6	VF01142246	33	22	VF01170940	55	7	VF01397931	54	11
VF01136686	14	32	VF01142246	34	32	VF01173381	26	1	VF01397983	56	15
VF01136686	15	32	VF01142247	29	8	VF01173381	53	71	VF01397983	59	10
VF01137130	55	3	VF01142247	33	8	VF01173543	20	9	VF01397983	62	3
VF01137252	23	25	VF01142334	17	3.1	VF01173914	45	22	VF02953321	81	7
VF01137526	11	40	VF01142334	17	7.1	VF01174951	49	22	VF02953331	81	5
VF01137633	28	11	VF01142565	65	21	VF01174958	41	55	VF02953332	35	19
VF01137633	29	23	VF01142565	67	5	VF01177466	53	33	VF06209225	74	8
VF01137633	30	16	VF01142565	68	5	VF01177466	58	8	VF06209251	53	84
VF01137633	32	11	VF01142565	69	5	VF01177466	60	20	VF06209459	63	1
VF01137633	33	23	VF01142565	70	5	VF01177466	61	13	VF06209459	73	10
VF01137633	34	25	VF01142565	71	10	VF01177466	63	25	VF06209459	76	4
VF01137633	34	4	VF01142597	6	3	VF01177888	2	4	VF06209465	72	3
VF01137990	62	2	VF01142668	17	3.3	VF01211882	14	27	VF06209467	53	41
VF01138424	41	71	VF01142668	17	4.3	VF01211882	15	27	VF06209473	12	32
VF01139169	14	33	VF01142668	17	7.3	VF01211882	30	26	VF06209473	13	70
VF01139169	15	33	VF01142668	17	8.3	VF01211882	31	39	VF06209473	41	8

RF 235 / Part No Index



Part No.	Page	Pos No	Part No.	Page	Pos No	Part No.	Page	Pos No	Part No.	Page	Pos No
VF06209473	68	6	VF06214195	34	14	VF06214481	53	61	VF06215766	53	12
VF06209473	70	6	VF06214195	34	34	VF06214481	53	74	VF06215766	53	44
VF06209473	78	34	VF06214208	76	34	VF06214481	55	11	VF06215766	55	16
VF06209480	60	13	VF06214234	18	3	VF06214481	60	29	VF06215766	55	16
VF06209480	61	20	VF06214246	2	7	VF06214481	61	25	VF06215783	53	36
VF06209480	63	29	VF06214246	14	8	VF06214481	62	5	VF06215783	53	43
VF06209483	53	56	VF06214246	18	4	VF06214481	63	4	VF06215783	55	17
VF06209483	55	9	VF06214246	20	13	VF06214481	77	3	VF06216479	49	17
VF06209595	23	10	VF06214246	20	3	VF06214493	4	15	VF06216479	52	25
VF06209938	35	23	VF06214246	24	32	VF06214586	35	13	VF06216747	30	19
VF06209953	80	5	VF06214246	26	2	VF06214690	35	87	VF06216747	34	7
VF06210002	52	29	VF06214246	30	11	VF06214690	36	41	VF06216756	29	3
VF06210015	13	49	VF06214246	45	17	VF06214938	53	49	VF06216756	30	14
VF06210015	13	61	VF06214246	46	1	VF06214938	55	13	VF06216756	33	3
VF06210017	27	19	VF06214246	55	10	VF06214938	55	31	VF06216756	34	33
VF06210017	31	19	VF06214246	71	9	VF06214992	66	4	VF06216757	30	15
VF06210024	30	21	VF06214293	35	26	VF06214992	67	29	VF06216757	34	26
VF06210024	34	21	VF06214294	13	52	VF06214992	68	21	VF06216762	30	24
VF06210691	35	28	VF06214306	28	10	VF06214992	69	27	VF06216762	34	24
VF06213194	8	1	VF06214306	32	10	VF06214992	70	12	VF06216763	28	9
VF06213194	8	2.1	VF06214306	75	15	VF06215027	53	51	VF06216763	32	9
VF06213194	73	13	VF06214306	75	30	VF06215027	55	14	VF06216771	28	3
VF06213194	79	20	VF06214306	78	16	VF06215179	81	7	VF06216771	29	17
VF06213975	49	9	VF06214313	80	9	VF06215272	38	6	VF06216771	32	3
VF06214132	67	7	VF06214321	5	4	VF06215408	4	6	VF06216771	33	17
VF06214132	68	8	VF06214321	6	7	VF06215425	21	3	VF06216771	34	44
VF06214132	69	7	VF06214321	7	5	VF06215432	5	7	VF06216772	28	4
VF06214132	70	8	VF06214321	79	21	VF06215432	6	8	VF06216772	29	20
VF06214132	71	7	VF06214411	21	2	VF06215432	7	6	VF06216772	32	4
VF06214132	78	13	VF06214421	57	11	VF06215432	79	11	VF06216772	33	20
VF06214192	45	26	VF06214462	60	28	VF06215539	41	24	VF06216772	34	45
VF06214193	41	65	VF06214462	61	28	VF06215540	53	14	VF06216908	31	32
VF06214193	82	4	VF06214462	62	4	VF06215540	55	15	VF06217226	49	21

RF 235 / Part No Index



Part No.	Page	Pos No	Part No.	Page	Pos No	Part No.	Page	Pos No	Part No.	Page	Pos No
VF06217227	49	20	VF06564735.98	57	16	VF16514462	52	10	VF16602619	13	38
VF06229502	57	10	VF06567492	56	8	VF16515023	20	10	VF16602621.86	12	5
VF06246785	53	17	VF06567492	57	13	VF16515024	20	10	VF16602621.86	13	42
VF06249879	56	3	VF06570724.86	50	6	VF16516440	14	23	VF16602622	12	7
VF06249879	57	17	VF06571318	20	16	VF16516441.61	14	26	VF16602622	13	43
VF06250778	35	70	VF06571318	26	4	VF16517257	54	15	VF16602626	13	47
VF06250780	35	71	VF06573520	35	77	VF16517258.86	54	12	VF16602627	13	56
VF06273756	73	4	VF06575227	2	1	VF16517301	54	13	VF16602628.86	13	57
VF06273756	76	3	VF06576501	21	7	VF16517302.86	54	14	VF16604743	35	25
VF06273854	53	54	VF06576898.86	39	4	VF16518571	49	28	VF16607410	18	7
VF06273854	55	18	VF06576899	39	5	VF16518571	52	33	VF16607782	20	1
VF06273854	55	18	VF06578035	34	15	VF16518997	52	41	VF16607787	7	7
VF06273854	55	18	VF06578425	66	6	VF16518997	74	6	VF16610791	18	8
VF06277296	29	14	VF06579564.86	75	2	VF16519134	47	9	VF16611457	64	10
VF06277296	30	18	VF06579571	75	16	VF16519175	38	2	VF16611457	65	20
VF06277296	33	14	VF06579571	78	17	VF16519575	36	46	VF16611916	31	45
VF06277296	34	27	VF06579628	75	9	VF16600374	21	16	VF16611916	34	52
VF06277506	75	14	VF06580546	56	7	VF16602596	13	2	VF16612402	11	34
VF06513515	81	7	VF06580546	56	9	VF16602599	13	7	VF16612402	13	28
VF06550817	5	10	VF06580546	57	20	VF16602600	13	8	VF16612405	10	3
VF06550817	79	12	VF06581181	21	18	VF16602601	13	9	VF16612405	11	39
VF06552220	35	29	VF06582184	55	19	VF16602602	13	10	VF16612405	12	23
VF06552557	75	23	VF06587052	49	26	VF16602604	13	12	VF16612405	13	33
VF06558792	30	5	VF06587242	66	27	VF16602606	12	9	VF16612424	13	48
VF06558792.86	34	5	VF06587662	66	7	VF16602606	13	15	VF16612429.86	11	3
VF06558797	29	1	VF06589025	21	15	VF16602607	13	16	VF16613168	75	12
VF06558797	33	1	VF16501745	80	14	VF16602608	13	17	VF16613168	75	12
VF06558801	28	8	VF16512862	75	6	VF16602609	13	21	VF16613256	27	26
VF06558801	32	8	VF16512934	75	18	VF16602611.86	13	23	VF16613256	31	26
VF06560636	14	37	VF16513632	75	9	VF16602618	12	3	VF16613283	52	26
VF06560636	15	37	VF16513900.86	27	18	VF16602618	13	37	VF16613759.86	3	13
VF06564448	47	6	VF16514266	54	4	VF16602619	11	9	VF16613763.86	4	29
VF06564735.98	56	2	VF16514411	20	10	VF16602619	12	10	VF16613771.86	3	1

RF 235 / Part No Index



Part No.	Page	Pos No	Part No.	Page	Pos No	Part No.	Page	Pos No	Part No.	Page	Pos No
VF16613771.86	4	7	VF16615381	35	10	VF16616235.86	35	22	VF16617116.86	41	7
VF16613777.86	4	9	VF16615390	35	17	VF16616236	36	66	VF16617124.86	41	21
VF16613954.86	73	3	VF16615393	52	18	VF16616247	36	47	VF16617132.86	40	10
VF16613956.86	73	2	VF16615400	47	8	VF16616248.86	36	62	VF16617134	40	11
VF16613976.86	75	1	VF16615442	20	14	VF16616279	35	86	VF16617137.86	40	12
VF16614109	3	12	VF16615499	81	6	VF16616279	36	39	VF16617148.86	41	57
VF16614109	4	10	VF16615731	20	7	VF16616280	36	50	VF16617149	41	56
VF16614124	5	5	VF16615810	50	4	VF16616296	66	8	VF16617157.86	52	21
VF16614124	53	72	VF16615831.86	14	2	VF16616318	59	4	VF16617158	52	22
VF16614124	79	18	VF16615878	20	8	VF16616318	62	7	VF16617182	38	8
VF16614126	73	6	VF16615894	49	6	VF16616319	59	8	VF16617204.86	53	21
VF16614126	76	12	VF16615895	49	5	VF16616328	4	13	VF16617206	53	40
VF16614253.86	3	8	VF16615955	31	23	VF16616404	73	5	VF16617225.86	53	4
VF16614253.86	4	11	VF16615956	31	15	VF16616422.86	68	9	VF16617225.86	55	20
VF16614279	4	12	VF16615961	27	14	VF16616422.86	70	9	VF16617244	53	31
VF16614376	41	5	VF16615961	31	14	VF16616460.86	53	10	VF16617329.86	10	5
VF16614444	10	2	VF16615962	14	30	VF16616658	49	24	VF16617329.86	11	32
VF16614444	12	33	VF16615963	14	31	VF16616665	49	23	VF16617330.86	13	27
VF16614616	36	36	VF16615967	40	7	VF16616665	52	33	VF16617331	13	24
VF16614651	74	3	VF16615972.86	30	8	VF16616863	59	16	VF16617332	13	25
VF16614652.86	74	2	VF16615972.86	34	9	VF16616863	60	18	VF16617385	50	8
VF16614738	41	2	VF16615990	52	6	VF16616863	61	18	VF16617386	50	9
VF16615203.86	53	52	VF16616018	17	7.2	VF16616863	62	8	VF16617478	72	2
VF16615203.86	55	24	VF16616018	17	8.2	VF16616863	63	8	VF16617521.86	75	13
VF16615203.86	55	62	VF16616075.86	12	17	VF16616950	19	2	VF16617537	52	5
VF16615267	17	8	VF16616075.86	13	26	VF16616979	52	8	VF16617574	52	32
VF16615268	17	7	VF16616217	36	32	VF16616999.86	39	10	VF16617581	36	85
VF16615352	35	8	VF16616224.86	35	18	VF16617009	66	28	VF16617583.86	35	84
VF16615352	51	6	VF16616226.86	36	4	VF16617102	40	8	VF16617597.86	36	54
VF16615352	52	40	VF16616228.86	36	2	VF16617103	40	9	VF16617599	36	57
VF16615371	36	43	VF16616232	36	53	VF16617104	41	64	VF16617605.86	69	9
VF16615372	36	60	VF16616233	35	3	VF16617109	42	4	VF16617819.86	45	7
VF16615376.86	35	11	VF16616234	35	5	VF16617110	41	60	VF16617841.86	59	1

RF 235 / Part No Index



Part No.	Page	Pos No	Part No.	Page	Pos No	Part No.	Page	Pos No	Part No.	Page	Pos No
VF16617905.86	53	69	VF16618430.86	41	53	VF16618668	10	4	VF16618830	32	5
VF16617907	35	63	VF16618436	54	18	VF16618668	11	14	VF16618868.86	53	9
VF16617908	35	66	VF16618448	73	9	VF16618669	10	10	VF16618868.86	55	26
VF16617910	53	46	VF16618448	76	15	VF16618670	10	12	VF16619058	73	11
VF16617910	55	21	VF16618448	80	7	VF16618674	11	8	VF16619098.61	76	16
VF16617975.86	60	1	VF16618449	53	6	VF16618675	11	10	VF16619106	78	20
VF16618011.86	53	13	VF16618479	43	4	VF16618676	11	11	VF16619111	53	67
VF16618011.86	55	22	VF16618480.86	41	48	VF16618677	11	15	VF16619111	77	2
VF16618012	53	8	VF16618515	75	3	VF16618678	11	16	VF16619169.86	78	21
VF16618012	55	23	VF16618516	75	17	VF16618679	11	17	VF16619305	36	92
VF16618017.86	53	70	VF16618600	13	13	VF16618680	11	18	VF16619351	12	2
VF16618108.86	64	11	VF16618601.86	13	22	VF16618681	11	19	VF16619351	13	41
VF16618108.86	65	18	VF16618602	12	18	VF16618682	11	20	VF16619481.86	54	19
VF16618154	14	41	VF16618602	13	29	VF16618683	11	21	VF16619620	52	25
VF16618154	15	41	VF16618603	12	19	VF16618684	11	22	VF16619716	78	24
VF16618166	49	2	VF16618603	13	30	VF16618685	11	23	VF16619724.86	78	25
VF16618167	49	4	VF16618604	12	16	VF16618686	11	24	VF16619739	55	27
VF16618198	4	14	VF16618604	13	31	VF16618687	11	25	VF16619824	53	11
VF16618202	80	15	VF16618605	12	4	VF16618688	11	26	VF16619824	55	28
VF16618209	23	18	VF16618605.86	13	34	VF16618689	11	27	VF16619855.86	76	19
VF16618209	31	28	VF16618606.86	13	35	VF16618690	11	28	VF16619858.86	53	5
VF16618209	31	34	VF16618607.86	13	36	VF16618691	11	29	VF16619858.86	55	29
VF16618237.86	30	17	VF16618608	12	8	VF16618692	11	30	VF16619998	30	6
VF16618237.86	34	10	VF16618608	13	44	VF16618693	11	31	VF16619998	34	6
VF16618298	60	9	VF16618609	12	11	VF16618694	11	33	VF16622598.98	57	12
VF16618298	61	9	VF16618609	13	45	VF16618697	12	14	VF16650050	17	1
VF16618298	63	9	VF16618610.86	13	46	VF16618697	13	3	VF16650060	17	3
VF16618304	48	4	VF16618611	13	39	VF16618698	12	15	VF16650070	17	4
VF16618305	48	5	VF16618612.86	12	12	VF16618698	13	6	VF16650102	15	30
VF16618306.86	48	6	VF16618613.86	12	13	VF16618699	13	11	VF16650103	15	34
VF16618323	21	4	VF16618616	23	2	VF16618811.86	53	35	VF16650104	15	31
VF16618413.86	41	18	VF16618617	13	50	VF16618811.86	55	25	VF16650105	15	35
VF16618423	36	63	VF16618667	10	11	VF16618830	28	5	VF16650122	29	9

RF 235 / Part No Index



Part No.	Page	Pos No	Part No.	Page	Pos No	Part No.	Page	Pos No	Part No.	Page	Pos No
VF16650122	33	9	VF16651114	23	3	VF16651331	78	48	VF16651856	65	5
VF16650122	34	38	VF16651156	76	23	VF16651337.86	23	14	VF16651947	8	3
VF16650128	34	43	VF16651157	78	37	VF16651376	20	6	VF16651963.86	39	1
VF16650129.86	14	3	VF16651183	23	12	VF16651419.86	40	13	VF16652001.86	29	4
VF16650129.86	15	3	VF16651184	23	13	VF16651436	45	4	VF16652001.86	33	4
VF16650133	18	10	VF16651185	23	11	VF16651437	45	5	VF16652006	29	16
VF16650143	34	40	VF16651186	23	8	VF16651482	46	3	VF16652006	33	16
VF16650190	28	6	VF16651188	23	9	VF16651496	62	10	VF16652028	29	7
VF16650190	32	6	VF16651190.86	53	7	VF16651497	59	3	VF16652028	33	7
VF16650191	28	1	VF16651203.86	78	43	VF16651540	12	1	VF16652033	27	23
VF16650191	32	1	VF16651204.86	78	44	VF16651541	13	1	VF16652034	27	15
VF16650192	14	13	VF16651207	23	2	VF16651543	68	11	VF16652035.86	14	14
VF16650192	15	13	VF16651207	78	58	VF16651543	69	12	VF16652041.86	80	1
VF16650214	17	1.2	VF16651221	12	24	VF16651543	70	11	VF16652063	31	29
VF16650215	17	3.2	VF16651221	13	63	VF16651543.86	67	11	VF16652067	78	30
VF16650215	17	4.2	VF16651222	12	25	VF16651638	23	15	VF16652067	78	50
VF16650304.86	45	6	VF16651222	13	62	VF16651648	75	12	VF16652132	33	15
VF16650307	65	13	VF16651231	59	13	VF16651675	80	3	VF16652133	34	37
VF16650309	64	13	VF16651231	60	6	VF16651695.86	73	1	VF16652134	34	41
VF16650309	65	12	VF16651231	61	6	VF16651696	76	25	VF16652141	34	50
VF16650345	34	42	VF16651231	63	10	VF16651740	45	24	VF16652141.86	31	44
VF16650424	31	18	VF16651235	60	10	VF16651791.86	43	6	VF16652142	31	27
VF16650699	78	27	VF16651235	61	10	VF16651817	45	19	VF16652143	31	30
VF16650998	78	31	VF16651236	59	14	VF16651820	45	20	VF16652161.86	58	1
VF16651002.86	45	15	VF16651240	59	7	VF16651822	68	12	VF16652165.86	35	1
VF16651002.86	46	2	VF16651246.86	60	7	VF16651822	69	14	VF16652187.86	58	2
VF16651042.86	78	32	VF16651246.86	61	7	VF16651822	70	22	VF16652189	31	16
VF16651074.86	59	9	VF16651247	63	11	VF16651822.86	67	14	VF16652199.86	54	17
VF16651095	6	9	VF16651304	78	46	VF16651829.86	67	18	VF16652237.86	48	7
VF16651095	7	8	VF16651307.86	76	24	VF16651845.86	16	1	VF16652238.86	48	8
VF16651097	6	10	VF16651313.86	78	47	VF16651850	9	26	VF16652326.86	55	32
VF16651097	7	9	VF16651327	23	7	VF16651851	43	7	VF16652327.86	55	33
VF16651106	23	6	VF16651329	23	4	VF16651852	43	8	VF16652328.86	55	34

RF 235 / Part No Index



Part No.	Page	Pos No	Part No.	Page	Pos No	Part No.	Page	Pos No	Part No.	Page	Pos No
VF16652343	21	1	VF16652934.86	47	2	VF16653405	38	1	VF16653611	68	18
VF16652372	55	35	VF16652939.86	47	1	VF16653412.86	24	2	VF16653611	69	23
VF16652374.86	56	10	VF16652942.86	47	10	VF16653414.86	37	1	VF16653611	70	18
VF16652392.86	56	11	VF16652953.86	66	13	VF16653419.86	37	5	VF16653616	41	25
VF16652392.86	57	5	VF16653036.86	23	1	VF16653420.86	24	8	VF16653650.86	72	1
VF16652409.86	52	14	VF16653040.86	45	3	VF16653421.86	24	9	VF16653666.86	18	17
VF16652466.86	74	4	VF16653045.86	18	11	VF16653422.86	24	7	VF16653679	41	10
VF16652476.86	78	51	VF16653075	81	12	VF16653424	71	2	VF16653689	19	2
VF16652478	76	18.1	VF16653085.86	11	4	VF16653425	71	4	VF16653690	18	18
VF16652480.86	76	18	VF16653088.86	27	2	VF16653426.86	68	15	VF16653690	19	1
VF16652485	78	53	VF16653091.86	30	1	VF16653427	67	22	VF16653702.86	11	2
VF16652488	76	18.2	VF16653094	27	16	VF16653427	69	20	VF16653801	62	11
VF16652491.86	74	1	VF16653142	18	12	VF16653427	70	15	VF16653809	62	12
VF16652733	24	3	VF16653143.86	20	2	VF16653427.86	68	16	VF16653810	62	13
VF16652749.86	76	22	VF16653185	18	13	VF16653473	64	17	VF16653859.86	4	16
VF16652834	21	5	VF16653186	18	14	VF16653494.86	37	12	VF16653878.86	62	14
VF16652859.86	55	37	VF16653188	75	12	VF16653495.86	42	38	VF16653879	62	15
VF16652877	45	21	VF16653195	18	15	VF16653528	17	9	VF16653880.86	62	16
VF16652896	78	52	VF16653196	18	16	VF16653529	17	10	VF16653907	63	12
VF16652897.86	78	54	VF16653203.94	65	1	VF16653541.86	71	1	VF16653909.86	63	14
VF16652900.86	66	9	VF16653204.94	65	2	VF16653542.86	53	68	VF16653911.86	61	1
VF16652901.86	66	25	VF16653223.86	65	3	VF16653542.86	71	3	VF16653914.86	63	16
VF16652902	66	10	VF16653224.86	65	4	VF16653544.86	24	4	VF16653915	63	17
VF16652903.86	66	24	VF16653236	10	1	VF16653554.86	24	5	VF16653920	24	24
VF16652904.94	66	11	VF16653237	11	1	VF16653555	24	10	VF16653921	24	25
VF16652905.86	66	12	VF16653238	64	14	VF16653556	24	11	VF16653922	24	22
VF16652906.86	66	26	VF16653241.94	64	16	VF16653557	24	12	VF16653923	24	23
VF16652918	69	17	VF16653268	69	19	VF16653558	24	14	VF16653924	24	20
VF16652918.86	67	19	VF16653268.86	67	21	VF16653559	24	15	VF16653925	24	21
VF16652919	70	13	VF16653269	70	14	VF16653561	24	13	VF16653926	24	19
VF16652919.86	68	13	VF16653269.86	68	14	VF16653574	24	1	VF16653927	24	17
VF16652922	38	9	VF16653296.86	77	1	VF16653600	53	1	VF16653928	24	18
VF16652927.86	42	5	VF16653304.86	55	38	VF16653611	67	25	VF16653934	5	8

RF 235 / Part No Index



Part No.	Page	Pos No	Part No.	Page	Pos No	Part No.	Page	Pos No	Part No.	Page	Pos No
VF16653934	6	11	VF16654001.86	18	19	VF16654530	79	15	VF16654808.86	79	2
VF16653934	7	10	VF16654045.86	42	2	VF16654531	8	2	VF16654814	60	19
VF16653934	79	9	VF16654106.86	62	21	VF16654532.86	5	6	VF16654814	61	26
VF16653941.61	4	17	VF16654134	43	13	VF16654532.86	79	17	VF16654814	63	27
VF16653942.86	82	1	VF16654134	44	2	VF16654539.86	4	20	VF16654890	61	27
VF16653943.61	4	18	VF16654141.86	43	1	VF16654541.86	59	2	VF16654890	63	28
VF16653951.86	59	19	VF16654142.86	43	2	VF16654551.86	62	22	VF16654890.86	60	27
VF16653951.86	60	14	VF16654187.86	42	12	VF16654554.86	73	7	VF16654890.86	62	28
VF16653951.86	61	14	VF16654189.86	4	19	VF16654557	73	12	VF16654909.86	42	13
VF16653951.86	63	19	VF16654232.86	80	2	VF16654557	79	19	VF16654918	61	3
VF16653952	60	16	VF16654269	80	4	VF16654562.86	53	66	VF16654918	63	30
VF16653952	61	16	VF16654305.86	53	3	VF16654615.86	44	3	VF16654925.86	53	39
VF16653952	62	17	VF16654306	17	10.1	VF16654619.86	10	18	VF16654928.86	6	12
VF16653952	63	20	VF16654308.86	55	39	VF16654619.86	11	50	VF16654931.86	6	13
VF16653953	25	4	VF16654311.86	55	40	VF16654630	25	11	VF16654932	6	14
VF16653953	60	21	VF16654331.86	35	14	VF16654630	59	22	VF16654932	7	11
VF16653953	61	21	VF16654333	18	20	VF16654631	25	8	VF16654933.86	6	15
VF16653953	62	18	VF16654346	17	11	VF16654633	25	7	VF16654933.86	7	12
VF16653953	63	21	VF16654347	17	11	VF16654644	25	13	VF16654953.86	6	16
VF16653954	25	5	VF16654348	17	11.1	VF16654672	25	1	VF16654953.86	7	13
VF16653954	59	21	VF16654349	17	11.2	VF16654673	25	2	VF16654960.86	6	17
VF16653955	59	15	VF16654358	41	16	VF16654682.86	57	1	VF16654961.86	7	15
VF16653955	60	15	VF16654361.86	58	9	VF16654683.86	57	2	VF16654968	64	12
VF16653955	61	15	VF16654388.86	53	2	VF16654688.86	24	41	VF16654982.86	42	26
VF16653955	62	19	VF16654389.86	54	3	VF16654690.86	57	3	VF16654983.86	42	27
VF16653955	63	22	VF16654524.86	61	5	VF16654691.86	57	4	VF16655014	58	10
VF16653956.86	62	20	VF16654524.86	63	23	VF16654706	29	15	VF16655020	58	3
VF16653964	46	4	VF16654525.86	24	6	VF16654714	26	6	VF16655023	53	85
VF16653968	77	5	VF16654525.86	60	5	VF16654728	26	15	VF16655023	55	41
VF16653968	79	10	VF16654526	8	1	VF16654742	18	21	VF16655036	40	14
VF16653978.86	79	1	VF16654528.86	5	1	VF16654756	53	86	VF16655049	53	64
VF16653981.86	70	21	VF16654528.86	79	14	VF16654758.86	62	23	VF16655049	55	42
VF16653991.86	4	8	VF16654530	5	3	VF16654807.86	79	3	VF16655055	55	43

RF 235 / Part No Index



Part No.	Page	Pos No	Part No.	Page	Pos No	Part No.	Page	Pos No	Part No.	Page	Pos No
VF16655067	19	1	VF16655706	24	16	VG35.14.00	9	5	VGMT0063	73	8
VF16655069	19	2	VF16655707	24	40	VG35.41.05	9	6	VGMT0063	76	7
VF16655072	81	10	VF16655801	81	1	VG35.83.830	9	7	VGMT152V	13	19
VF16655076	42	40	VF16655805.86	40	15	VG365305	9	8	VGMT152V	35	21
VF16655089	75	10	VF16655808.86	40	16	VG38722004	17	1.1	VGMT152V	35	69
VF16655099	23	19	VF16655895.86	76	19	VG38722004	17	6.1	VGMT152V	37	11
VF16655301.86	42	25	VF16655917	19	2	VG38723002	17	1.3	VGMT152V	53	83
VF16655302.86	42	24	VF16655943	55	44	VG38723002	17	6.3	VGMT152V	54	9
VF16655303.86	42	23	VF16655977	26	7	VG61.05.04	53	47	VGND1403V	59	17
VF16655307.86	46	5	VF16656285	59	11	VG61.05.04	55	5	VGND1403V	60	17
VF16655308.86	46	6	VF16656285	62	9	VG690101	9	9	VGND1403V	61	17
VF16655309.86	46	7	VF16656352	66	15	VG75.25.91	9	10	VGND1403V	62	6
VF16655365	69	26	VF16656353	66	16	VG75.36.00	9	11	VGND1403V	63	7
VF16655366	70	20	VF16656700	55	36	VG82.36.03	9	12	VGND1472V	22	1
VF16655370.86	45	1	VF16656975	26	8	VG82.36.08	9	13	VGND1481V	53	82
VF16655371.86	45	2	VF16656976	26	9	VG82.83.04	9	14	VGND3030V	14	6
VF16655386	67	26	VF16656994	26	10	VG82.83.14	9	15	VGND3030V	15	6
VF16655387	68	20	VF16657088	24	42	VG82.85.00	9	16	VGND3030V	24	35
VF16655390.86	46	8	VF16657703.86	7	17	VG85.01.02	9	17	VGND3030V	52	46
VF16655391.86	46	9	VF16657704.86	7	18	VG85.202	9	18	VGND3030V	65	22
VF16655394	6	18	VF16657705.86	7	19	VG85.204	9	19	VGND3034V	34	11
VF16655394.86	7	16	VF16657707.86	7	20	VG85.25.07	9	20	VGND3034V	42	35
VF16655409	17	12	VF16657753.61	6	19	VG85.25.62	9	21	VGND3034V	64	9
VF16655410	17	12	VF16657753.61	7	21	VGAGRASET172	9	22	VGND3034V	65	15
VF16655425	25	12	VF16657761.86	63	15	VGAGRASET207	9	23	VGND3034V	71	5
VF16655425	59	12	VF16658161	51	18	VG AH00132	1	1	VGND3122V	22	2
VF16655442.86	53	75	VF16658161	52	28	VGBR804	49	3	VGND3138V	53	62
VF16655467.86	42	39	VG25265014	44	13	VGET154V	40	18	VGND3138V	55	12
VF16655469	25	3	VG25276045	44	7	VGGS0089	1	2	VGND3138V	77	7
VF16655506	44	4	VG35.00.00	9	1	VGMT00310	1	14	VGND3156	27	25
VF16655509.86	44	5	VG35.06.141	9	2	VGMT00310	53	60	VGND3156	31	25
VF16655511.86	44	6	VG35.06.70	9	3	VGMT00310	55	4	VGND6230	18	5
VF16655652.86	3	2	VG35.13.10	9	4	VGMT0063	59	6	VGND6230	20	19



RF 235 / Part No Index

Part No.	Page	Pos No	Part No.	Page	Pos No	Part No.	Page	Pos No
VGND6230	26	3	VGND9869V	22	8	VGWA737	1	25
VGND9004V	9	25	VGND9889	66	3	VGWA738	1	26
VGND9134	64	20	VGND9889	67	6	VGWA739	1	27
VGND9134	65	24	VGND9889	68	7	VGWP0132	44	12
VGND92009B	18	25	VGND9889	69	6	VGYP64	22	12
VGND92031V	18	6	VGND9889	70	7	VN31903304	51	17
VGND92031V	20	17	VGND9906V	22	9	VN79730016	51	2
VGND92031V	26	5	VGPZ160V	47	7	VNB0259973	51	7
VGND92043V	21	17	VGPZ160V	56	14	VNB0260073	51	5
VGND92092V	1	15	VGPZ160V	82	6	VNB0260173	51	3
VGND92093V	1	16	VGTH100V	3	4	VNB0274573	52	4
VGND92129	22	3	VGTH100V	4	5	VNB0278373	52	34
VGND92130	22	4	VGTH100V	56	5	VNB0279773	52	3
VGND92155V	1	17	VGTH100V	57	18	VNB0326573	50	3
VGND92159	22	5	VGTP0011	3	15	VNB0326973	50	3
VGND92174	25	9	VGTP0011	41	14	VNB0370573	50	2
VGND92177	25	10	VGTP0011	60	24	VNB0419073	51	21
VGND94053	2	3	VGTP0011	60	25	VNB0435973	52	7
VGND9475	2	5	VGTP0011	60	3	VNB0435973	52	9
VGND9607	20	18	VGTP0011	61	24	VNB0446473	51	9
VGND9607	22	7	VGTP0011	63	6	VNB0446773	51	11
VGND9607	26	14	VGTP00512	22	6	VNB0446873	51	12
VGND97026	17	6	VGTP438	22	10	VNB0446973	51	15
VGND97027	17	6.2	VGWA00154	1	19	VNB0503473	50	5
VGND9779	56	18	VGWA00154	2	2	VNB0504473	51	19
VGND9779	57	21	VGWA00659	22	11	VNB0522973	50	7
VGND98026V	9	27	VGWA01657	44	10	VNB0526373	50	1
VGND98026V	13	14	VGWA0647	44	11	VNB0557073	51	1
VGND9813V	4	2	VGWA1809	1	20	VNB0572773	52	1
VGND9813V	9	28	VGWA662V	1	21	VNB0602073	51	20
VGND9813V	57	9	VGWA734	1	22	VRR0305901	18	9
VGND9813V	76	2	VGWA735	1	23			
VGND9824	1	18	VGWA736	1	24			



RF 235

< Mach. ID <=

Kverneland Group Gottmadingen N.V.
Industriepark 312
78244 Gottmadingen
Germany
+49 7731 788 0
+49 7731 788 253

© Kverneland group

All rights reserved. No parts of this book may be reproduced, stored in a database or retrieval system, or published in any form or in any way, electronically, mechanically, optically, by print, photo print, microfilm (including micro and macro fiche), or any other means, including all video and CD systems, without prior written permission from the publisher.

Print date: 2007-03-08

